



SlimSeal | SlimSeal Connectors Headers

TE Internal #: 1-2106123-2

Plug & Socket Lighting Connectors, Wire-to-Wire, 1 Position, .1 mm [2.5 in] Centerline, Sealable, Wire & Cable, 300 VAC, SlimSeal Connectors Headers

[View on TE.com >](#)

Connectors > Lighting Connectors > Plug & Socket Lighting Connectors



Connector System: **Wire-to-Wire**

Number of Positions: 1

Centerline (Pitch): .1 mm [2.5 in]

Sealable: **Yes**

Connector & Contact Terminates To: **Wire & Cable**

Features

Product Type Features

Connector System	Wire-to-Wire
Sealable	Yes
Connector & Contact Terminates To	Wire & Cable

Configuration Features

Number of Positions	1
---------------------	---

Electrical Characteristics

Operating Voltage	300 VDC
-------------------	---------

Body Features

Primary Product Color	Black
-----------------------	-------

Contact Features

Contact Current Rating (Max)	3.5 A
------------------------------	-------

Housing Features

Centerline (Pitch)	.1 mm[2.5 in]
--------------------	---------------

Usage Conditions

Operating Temperature Range

-40 – 105 °C[-40 – 221 °F]

Product Compliance

For compliance documentation, visit the product page on TE.com>

EU RoHS Directive 2011/65/EU

Compliant

EU ELV Directive 2000/53/EC

Compliant

China RoHS 2 Directive MIIT Order No 32, 2016

No Restricted Materials Above Threshold

EU REACH Regulation (EC) No. 1907/2006

Current ECHA Candidate List: JAN 2024
(240)
Candidate List Declared Against: JAN 2024
(240)
Does not contain REACH SVHC

Halogen Content

Low Halogen - Br, Cl, F, I < 900 ppm per
homogenous material. Also BFR/CFR/PVC
Free

Solder Process Capability

Not applicable for solder process capability

Product Compliance Disclaimer

This information is provided based on reasonable inquiry of our suppliers and represents our current actual knowledge based on the information they provided. This information is subject to change. The part numbers that TE has identified as EU RoHS compliant have a maximum concentration of 0.1% by weight in homogenous materials for lead, hexavalent chromium, mercury, PBB, PBDE, DBP, BBP, DEHP, DIBP, and 0.01% for cadmium, or qualify for an exemption to these limits as defined in the Annexes of Directive 2011/65/EU (RoHS2). Finished electrical and electronic equipment products will be CE marked as required by Directive 2011/65/EU. Components may not be CE marked. Additionally, the part numbers that TE has identified as EU ELV compliant have a maximum concentration of 0.1% by weight in homogenous materials for lead, hexavalent chromium, and mercury, and 0.01% for cadmium, or qualify for an exemption to these limits as defined in the Annexes of Directive 2000/53/EC (ELV). Regarding the REACH Regulation, the information TE provides on SVHC in articles for this part number is based on the latest European Chemicals Agency (ECHA) 'Guidance on requirements for substances in articles' posted at this URL: <https://echa.europa.eu/guidance-documents/guidance-on-reach>

Compatible Parts



TE Part # 2106135-3
Assembly, Plug, 3-Position



TE Part # 2106135-2
Assembly, Free Hanging Plug, SLC, 2
pos



TE Part # 2106135-4
Assembly, Free Hanging Plug, SLC, 4
pos



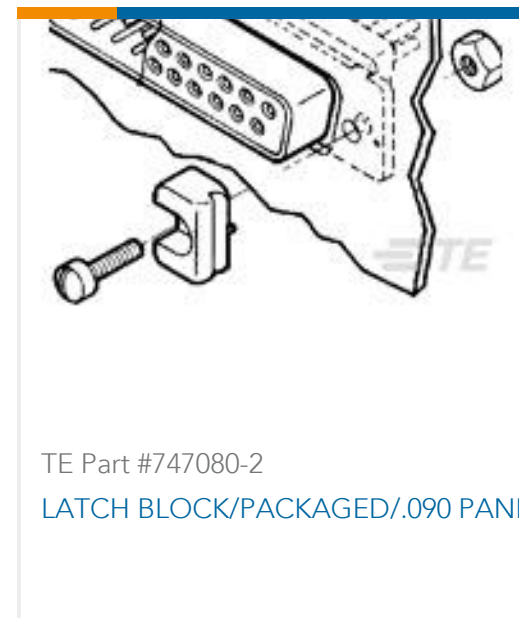
TE Part # 2154854-1
SlimSeal Assembly, Plug, 1 position



Also in the Series | SlimSeal Connectors Headers



Customers Also Bought





Documents

Product Drawings

[CONTACT,Recept, SLC, Tin Plated, Loose P](#)

English

CAD Files

Customer View Model

[ENG_CVM_CVM_1-2106123-2_A.2d_dxf.zip](#)

English

3D PDF

3D

Customer View Model

[ENG_CVM_CVM_1-2106123-2_A.3d_igs.zip](#)

English

Customer View Model

[ENG_CVM_CVM_1-2106123-2_A.3d_stp.zip](#)

English

By downloading the CAD file I accept and agree to the [Terms and Conditions](#) of use.

Datasheets & Catalog Pages

[SLIMSEAL_SSL_CONNECOTS](#)

English

Product Specifications

[Application Specification](#)

English