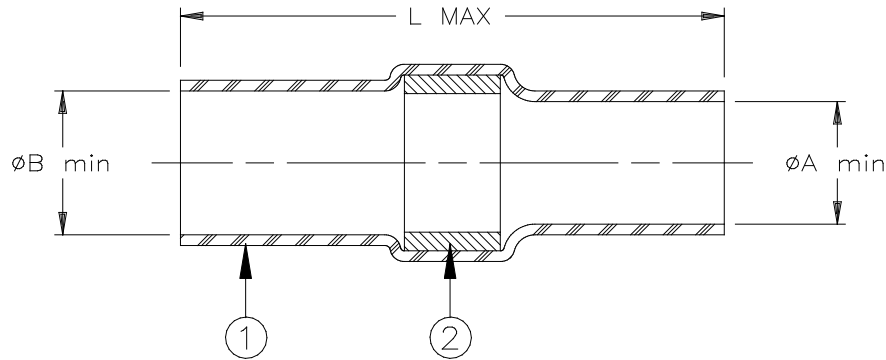


CUSTOMER DRAWING



Product Name	Product Dimensions			Cable Dimensions			
	L max	øA min	øB min	øD max	øE min	øG max	J±1.3 (J±0.05)
D-107-08	20.85 (0.820)	5.95 (0.235)	6.5 (0.255)	6.45 (0.255)	3.20 (0.125)	5.95 (0.235)	7 (0.275)

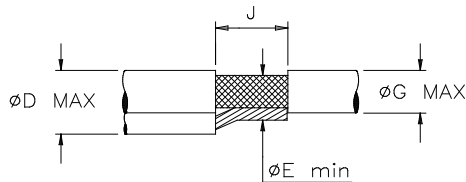
MATERIALS

- INSULATION SLEEVE: Heat-shrinkable, transparent blue, radiation cross-linked polyvinylidene fluoride.
- SOLDER PREFORM WITH FLUX:
 SOLDER: TYPE Sn63 per ANSI-J-STD-006.
 FLUX: TYPE ROL1 per ANSI-J-STD-004.
 THERMAL INDICATOR: Violet.


APPLICATION

- This part is designed to provide an environment protected shield termination on cables, rated for 125°C minimum, meeting the dimensional criteria listed, having tin or silver plated copper shields.
- Install using TE Connectivity-approved convection or infrared tools in accordance with Raychem assembly procedure RCPS-100-70.
- Temperature range: -55°C to +150°C.

For best results, prepare the cable as shown:



TE Connectivity, TE connectivity (logo), Raychem, Thermofit, and SolderSleeve are trademarks

		Raychem THERMOFIT DEVICES		TITLE: SOLDERSLEEVE SHIELD TERMINATOR	
UNLESS OTHERWISE SPECIFIED DIMENSIONS ARE IN MILLIMETERS. INCHES DIMENSIONS ARE BETWEEN BRACKETS.				DOCUMENT NO.: D-107-08	
TOLERANCES: 0.00 N/A 0.0 N/A 0 N/A	ANGLES: N/A ROUGHNESS IN MICRON	TE Connectivity reserves the right to amend this drawing at any time. Users should evaluate the suitability of the product for their application.		Revision: C	Issue Date: March 2020
DRAWN BY: M. FORONDA	DATE: 28-Oct-98	ECO: ECO-20-004480	SCALE: None	SIZE: A	SHEET: 1 of 1

Print Date: 2-Apr-20 If this document is printed it becomes uncontrolled. Check for the latest revision