

J1MACD-26XM ✓ ACTIVE

CII | CII 1MAD TO-5 Relay

TE Internal #: 2-1617118-0

TO-5/.100 Grid Relays, Contact Arrangement 1 Form C, SPDT, 1 C/O, 26VDC Input Voltage, 26VDC Coil Voltage Rating, CII 1MAD TO-5 Relay

[View on TE.com >](#)



Relays & Contactors > Relays > Mil-Aero Relays > TO-5/.100 Grid Relays



Contact Arrangement: **1 Form C, SPDT, 1 C/O**

Input Voltage: **26 VDC**

Coil Voltage Rating: **26 VDC**

Coil Resistance: **2000 Ω**

Coil Power Rating DC: **351 mW**

Features

Product Type Features

Enclosure Type	Hermetically Sealed
----------------	---------------------

Electrical Characteristics

Vibration Resistance	30G's, 10 – 3000Hz
----------------------	--------------------

Actuating System	DC
------------------	----

Shock Resistance	75G's, 6ms
------------------	------------

Contact Switching Voltage (Max)	28 VDC
---------------------------------	--------

Coil Special Features	Coil Polarity Protection Diode, Coil Suppression Diode
-----------------------	--------------------------------------------------------

Coil Magnetic System	Non-Polarized, Monostable
----------------------	---------------------------

Input Voltage	26 VDC
---------------	--------

Coil Voltage Rating	26 VDC
---------------------	--------

Coil Resistance	2000 Ω
-----------------	---------------

Coil Power Rating DC	351 mW
----------------------	--------

Contact Features

Contact Current Rating	1 A
------------------------	-----

Contact Arrangement	1 Form C, SPDT, 1 C/O
---------------------	-----------------------

Termination Features

Relay Connection Type	PCB Termination
-----------------------	-----------------



Terminal Configuration	Solder Pins
------------------------	-------------

Usage Conditions

Operating Temperature Range	-65 – 125 °C
-----------------------------	--------------

Product Compliance

[For compliance documentation, visit the product page on TE.com>](#)

EU RoHS Directive 2011/65/EU	Compliant
EU ELV Directive 2000/53/EC	Not Compliant
China RoHS 2 Directive MIIT Order No 32, 2016	No Restricted Materials Above Threshold
EU REACH Regulation (EC) No. 1907/2006	Current ECHA Candidate List: JAN 2024 (240) Candidate List Declared Against: JAN 2022 (223) Does not contain REACH SVHC
Halogen Content	Low Halogen - Br, Cl, F, I < 900 ppm per homogenous material. Also BFR/CFR/PVC Free
Solder Process Capability	Not lead free process capable

Product Compliance Disclaimer

This information is provided based on reasonable inquiry of our suppliers and represents our current actual knowledge based on the information they provided. This information is subject to change. The part numbers that TE has identified as EU RoHS compliant have a maximum concentration of 0.1% by weight in homogenous materials for lead, hexavalent chromium, mercury, PBB, PBDE, DBP, BBP, DEHP, DIBP, and 0.01% for cadmium, or qualify for an exemption to these limits as defined in the Annexes of Directive 2011/65/EU (RoHS2). Finished electrical and electronic equipment products will be CE marked as required by Directive 2011/65/EU. Components may not be CE marked. Additionally, the part numbers that TE has identified as EU ELV compliant have a maximum concentration of 0.1% by weight in homogenous materials for lead, hexavalent chromium, and mercury, and 0.01% for cadmium, or qualify for an exemption to these limits as defined in the Annexes of Directive 2000/53/EC (ELV). Regarding the REACH Regulation, the information TE provides on SVHC in articles for this part number is based on the latest European Chemicals Agency (ECHA) 'Guidance on requirements for substances in articles' posted at this URL: <https://echa.europa.eu/guidance-documents/guidance-on-reach>

Compatible Parts



Also in the Series | CII 1MAD TO-5 Relay



TO-5/.100 Grid Relays(15)

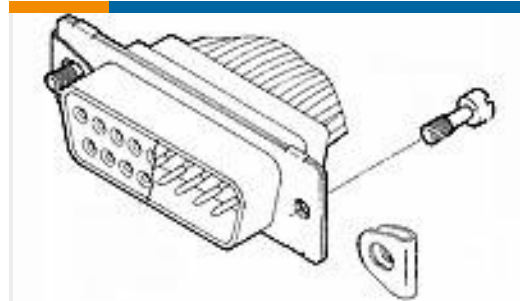
Customers Also Bought



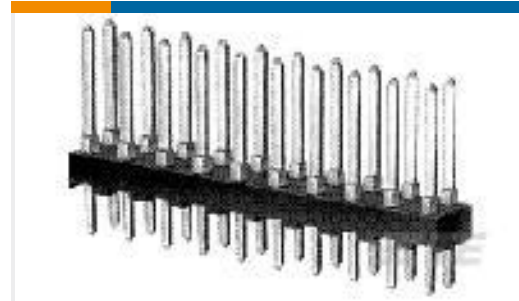
TE Part #120527-1
1FHP,64,30A/P,S,N,S10,12,13,15



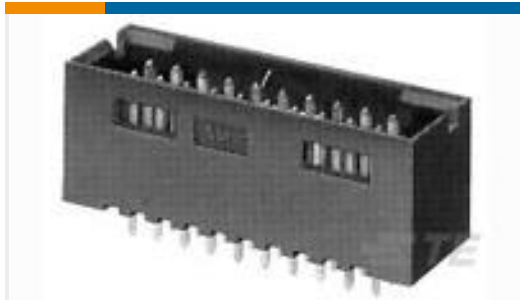
TE Part #4108170001
HT-SCE High Temperature Sleeves



TE Part #211883-5
SCREW RETAINER KIT,AMPLIMITE



TE Part #1-87227-3
26 MODII HDR DRST UNSHRD .100



TE Part #5-102619-8
20 MODII HDR DRST SHRD .100CL



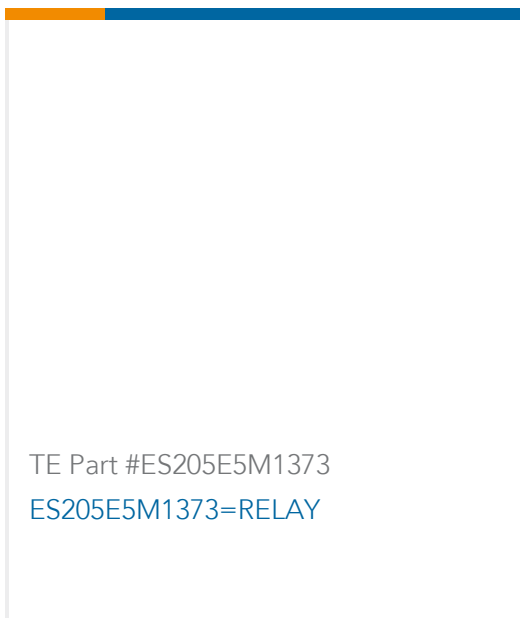
TE Part #531872-000
S03-05-R



TE Part #1-1617754-5
FCA-410-1619M=M83536/16-019M



TE Part #2803-4-22143
CONT SOC ASSY



TE Part #ES205E5M1373
ES205E5M1373=RELAY

Documents

[CAD Files](#)

[3D PDF](#)

[3D](#)

[Customer View Model](#)

[ENG_CVM_CVM_2-1617118-0_H.2d_dxf.zip](#)

[English](#)

[Customer View Model](#)



[ENG_CVM_CVM_2-1617118-0_H.3d_igs.zip](#)

English

Customer View Model

[ENG_CVM_CVM_2-1617118-0_H.3d_stp.zip](#)

English

By downloading the CAD file I accept and agree to the [Terms and Conditions](#) of use.

Datasheets & Catalog Pages

[5-1773450-5_sec1_MA](#)

English

RELAY

English