



Figure 1. The Physical Photos of AHVA1KV2X10MA

MAIN FEATURES

- Built-in High Voltage Converter
- Compact Size: 176.5(L)×147.0(W)×41.2(H) mm
- High Current Capability: Up to 10mA
- High Slew Rate: 100V/μs
- Wide Output Voltage Range: $V_{OUT}=10V \sim 1kV$
@ $V_{IN}=24V$
- Offset Voltage Range: 10V
- Bandwidth: Up to 10kHz
- Weight: 2.2lb (1.0kg)

APPLICATIONS

High voltage amplifications for driving piezos and other high voltage loads.

DESCRIPTION

The AHVA1KV2X10MA is an electronic module for

amplifying an analog input voltage into a high voltage output. Figure 1 shows its physical photo. It comes with a high voltage DC-DC converter, which converts the 24V input voltage into a 10V to 1kV output voltage. The analog output voltage can swing almost from 10V to 1kV when it is powered by a 24V power supply. There is three LEDs indicating if the amplifier works properly.

CAUTION

First, set up the AC power supply and fix it stably and firmly. Then make sure that the two switches of the high voltage amplifier are OFF. Connect the 24V DC power supply to the VPS and PGND of the high voltage amplifier. After the connection is complete, turn on the low voltage switch and set the input AC voltage or DC voltage. Then use the output monitor to check whether the input set voltage is correct. Finally turn on the high voltage switch.

Table 1. Descriptions of Terminal Block Pin Functions

Pin #	Name	Type	Description
1	VPS	Power Input	Power supply 24V.
2	PGND	Power Ground	Power ground pin.
3	SBDN	Digital Input	This is a duplex pin. It sets the amplifier into Off, Standby or On mode.
4	AGND	Signal Ground	Signal ground pin. Connect ADC and DAC grounds to here.
5	10VR	Analog Output	10V voltage reference.
6	IHVMON	Analog Input	-
7	HVMON	Analog Output	Output voltage indication. When going from 0.1V to 10V, it indicates the output voltage is from 10V to 1kV.
8	OFFSO	Analog Output	Output voltage setting. When going from 0.1V to 10V, it indicates the output voltage is from 10V to 1kV. The pin is controlled by a potentiometer.
9	GND	Signal Ground	Signal ground pin. Connect ADC and DAC grounds to here.



Pin #	Name	Type	Description
BNC 1	Input	Analog Input	Output voltage setting. When going from 0.1V to 10V, it indicates the output voltage is from 10V to 1kV.
BNC 2	Input+Offset Monitor	Analog Output	Input+Offset input control signal indication.
BNC 3	HVOUT	Analog Output	Output voltage for driving the load.
	OGND	Output Ground	Connect this pin to the load return terminal.

SPECIFICATIONS

Table 2. Characteristics (Test ambient temperature $T_A = 25^\circ\text{C}$)

Parameter	Symbol	Test Conditions	Min.	Typ.	Max.	Units
Power Supply Input (Pin 1)						
Input Range	V_{VPS}		23	24	25	V
Input Current	I_{IN}		0		4	A
Voltage Output (BNC 3)						
Output Voltage	V_{OUT}		10		1000	V
Output Current	I_{OUT}		0		10	mA
SBDN Pin (Pin 3)						
Off State	$V_{SBDN-OFF}$		0		0.4	V
	$V_{SBDN-OFF-HI}$ Going up from Off to Standby threshold				2.1	V
	$V_{SBDN-OFF-LOW}$ Going down from Standby to Off threshold		0.4			V
SBDN State	$V_{SBDN-STANDBY}$		2.1		2.51	V
	$V_{SBDN-SB-HI}$ Going up from Standby to On threshold				2.64	V
	$V_{SBDN-SB-LOW}$ Going down from On to Standby threshold		2.51			V
On State	$V_{SBDN-ON}$		2.64		V_{VPS}	V
SBDN Current	I_{SBDN}			10	20	μA
10VR Pin (Pin 5)						
Voltage Reference	V_{REF}			10		V
Maximum Input Power				100		W
Maximum Slew Rate				100		V/ μs

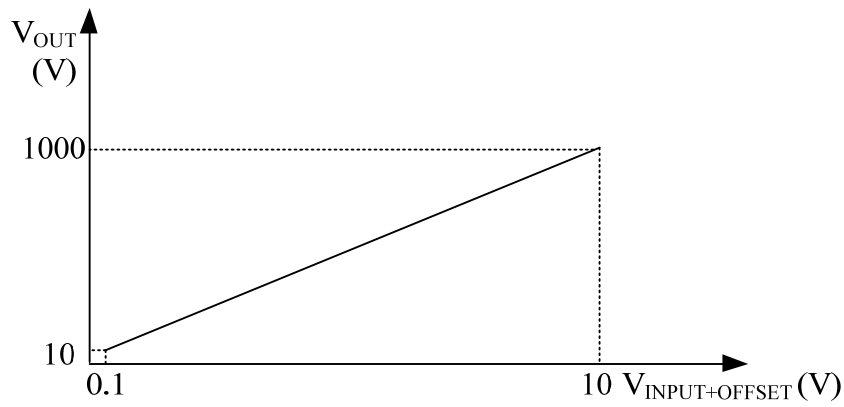


Figure 2. $V_{INPUT+OFFSET}$ vs. V_{OUT}

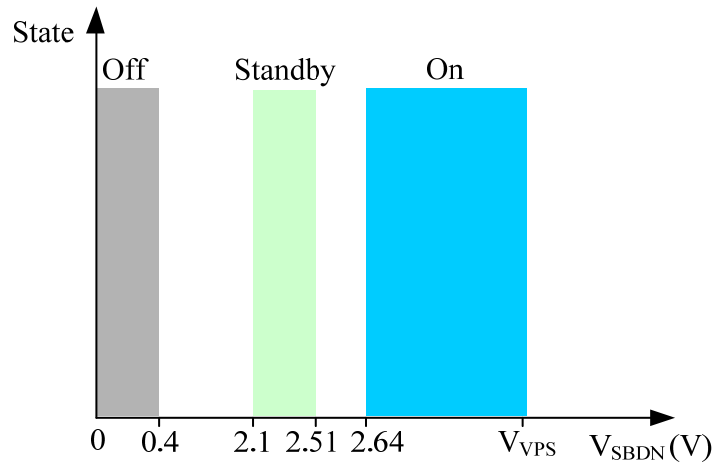
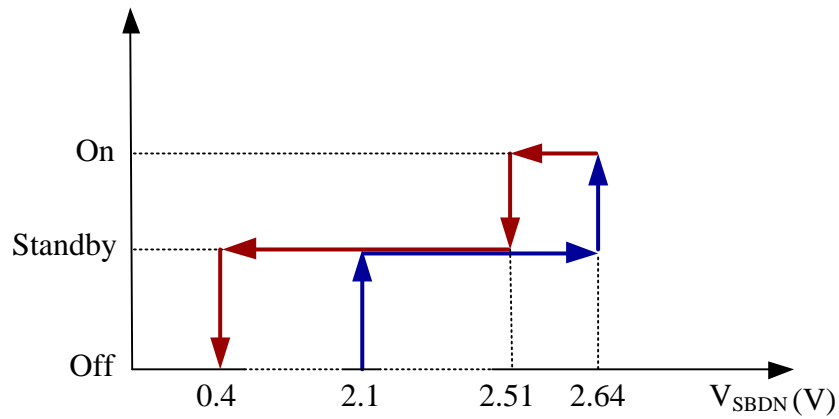


Figure 3. V_{SBDN} vs. Amplifier States

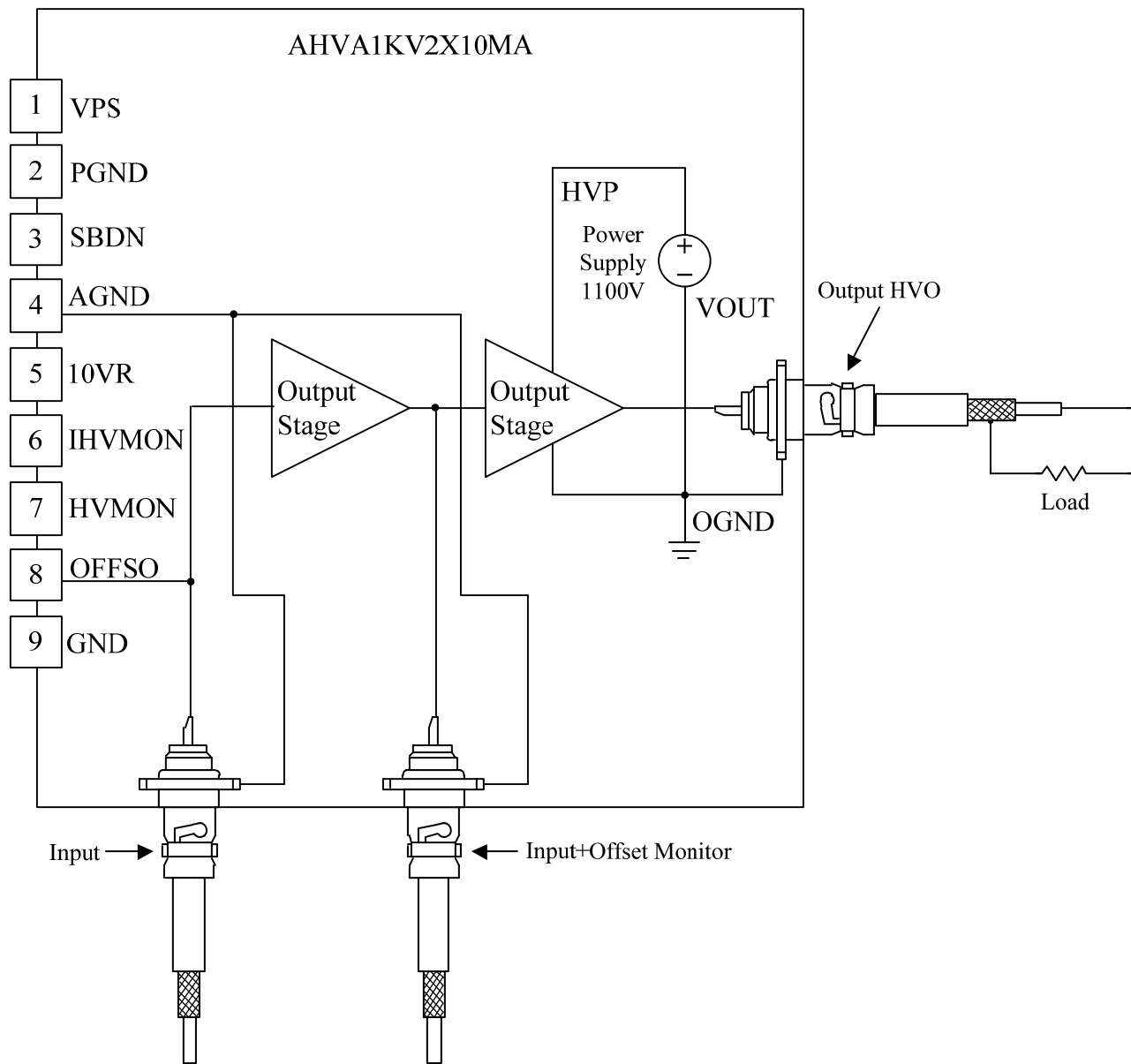
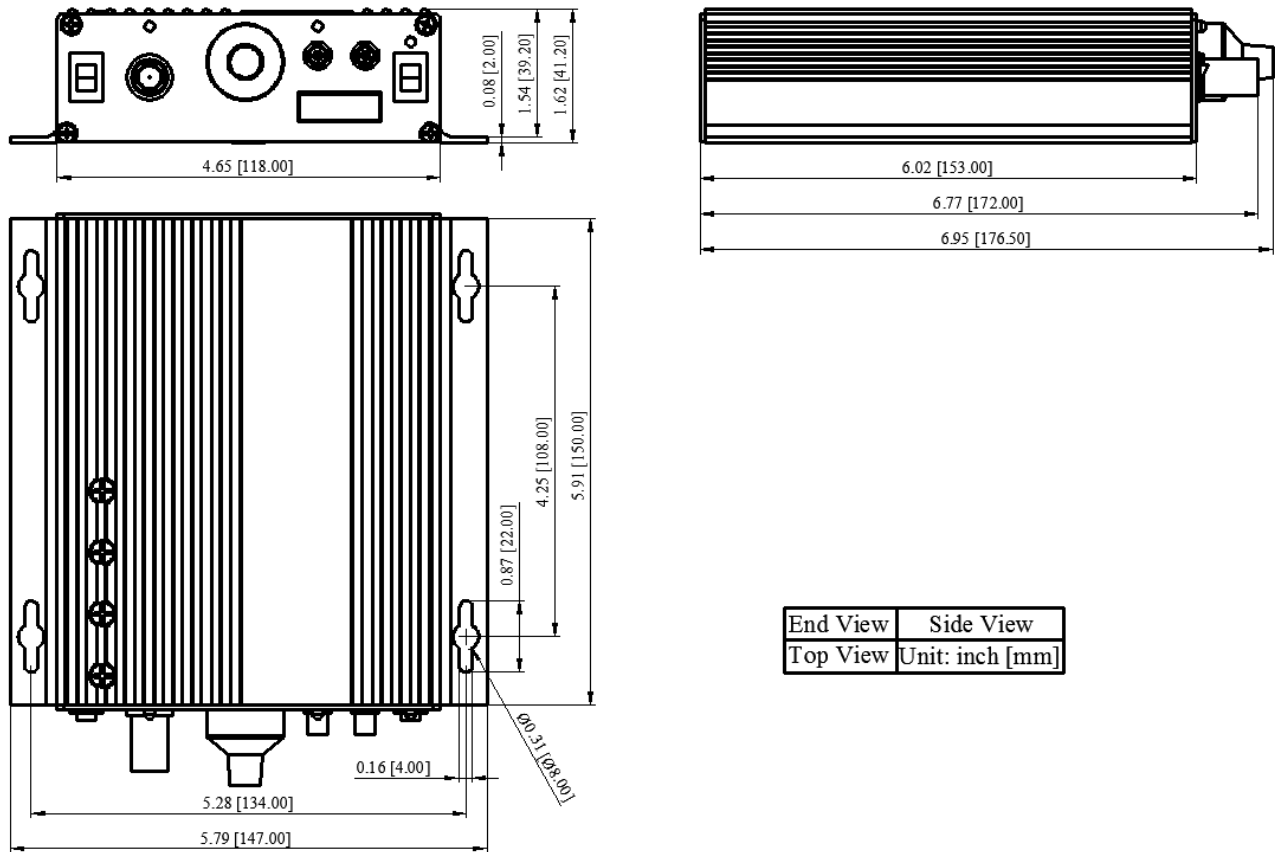


Figure 4. Schematic for Driving the Load



DIMENSIONS



End View	Side View
Top View	Unit: inch [mm]

Figure 5. Dimensions of AHVA1KV2X10MA

ORDERING INFORMATION

Table 3. Part Number

Part Number	Description
AHVA1KV2X10MA	1kV high voltage amplifier, with 10mA output current

NOTICE

1. It is important to carefully read and follow the warnings, cautions, and product-specific notes provided with electronic components. These instructions are designed to ensure the safe and proper use of the component and to prevent damage to the component or surrounding equipment. Failure to follow these instructions could result in malfunction or failure of the component, damage to surrounding equipment, or even injury or harm to individuals. Always take the necessary precautions and seek professional assistance if unsure about proper use or handling of electronic components.
2. Please note that the products and specifications described in this publication are subject to change without prior notice as we continuously improve our products. Therefore, we recommend checking the product descriptions and specifications before placing an order to ensure that they are still applicable. We also reserve the right to discontinue the production and delivery of certain products, which means that not all products named in this publication may always be available.
3. This means that while ATI may provide information about the typical requirements and applications of their products, they cannot guarantee that their products will be suitable for all customer applications. It is the responsibility of the customer to evaluate whether an ATI product with the specified properties is appropriate for their particular application.



4. ATI warrants its products to perform according to specifications for one year from the date of sale, except when damaged due to excessive abuse. If a product fails to meet specifications within one year of the sale, it can be exchanged free of charge.
5. ATI reserves the right to make changes or discontinue products or services without notice. Customers are advised to obtain the latest information before placing orders.
6. All products are sold subject to terms and conditions of sale, including those pertaining to warranty, patent infringement, and limitation of liability. Customers are responsible for their applications using ATI products, and ATI assumes no liability for applications assistance or customer product design.
7. ATI does not grant any license, either express or implied, under any patent right, copyright, mask work right, or other intellectual property right of ATI.
8. ATI's publication of information regarding third-party products or services does not constitute approval, warranty, or endorsement.
9. ATI retains ownership of all rights for special technologies, techniques, and designs for its products and projects, as well as any modifications, improvements, and inventions made by ATI.
10. Despite operating the electronic modules as specified, malfunctions or failures may occur before the end of their usual service life due to the current state of technology. Therefore, it is crucial for customer applications that require a high level of operational safety, especially in accident prevention or life-saving systems where the malfunction or failure of electronic modules could pose a risk to human life or health, to ensure that suitable measures are taken. The customer should design their application or implement protective circuitry or redundancy to prevent injury or damage to third parties in the event of an electronic module malfunction or failure.