

SAI-04L-VP12-3A-M08L-AND**Weidmüller Interface GmbH & Co. KG**

Klingenbergstraße 26

D-32758 Detmold

Germany

www.weidmueller.com



SAI – logic module These devices allow the combination of signals by means of an AND or an OR gate. This function leads to a reduction in the amount of wiring. The required inputs to the PLC can be reduced by up to 6 inputs. This process therefore saves the amount of wiring and material in the field.

General ordering data

| | |
|------------|---|
| Version | with M12 outlet, M8, 30 V, , LED: Yes, LED initiator: Yes, Wiring type: AND |
| Order No. | 2512800000 |
| Type | SAI-04L-VP12-3A-M08L-AND |
| GTIN (EAN) | 4050118527698 |
| Qty. | 1 pc(s). |

SAI-04L-VP12-3A-M08L-AND

Weidmüller Interface GmbH & Co. KG

Klingenbergstraße 26

D-32758 Detmold

Germany

www.weidmueller.com

Technical data

Dimensions and weights

| | |
|------------|------|
| Net weight | 66 g |
|------------|------|

Temperatures

| | |
|-----------------------|------------|
| Operating temperature | -20 - 90°C |
|-----------------------|------------|

Connection data

| | | | |
|--------------------|-----------------|-------------------|--|
| Distributor outlet | with M12 outlet | Tightening torque | M8: 0.5 - 0.6 Nm, M12: 0.8 - 1.2 Nm |
|--------------------|-----------------|-------------------|--|

Electrical data

| | | | |
|---|--------|---------------------|--------|
| Rated voltage, min. | 15 V | Rated voltage, max. | 30 V |
| Rated voltage | 24 V | Rated current | 500 mA |
| Max. current-carrying capacity per slot | 500 mA | Total current | 2 A |
| Electrical isolation available | No | | |

General technical data

| | | | |
|-----------------------------|-----|-------------------------------------|-------|
| Logic function | and | Protection degree | IP67 |
| Number of poles | 3 | Number of contact sockets | 4 |
| Connection thread | M8 | Pollution severity | 3 |
| Fire behaviour | V-0 | LED | Yes |
| LED initiator | Yes | LED colour for indicating operation | green |
| LED colour for I/O function | red | | |

Material data

| | | | |
|-----------------------|--------------------|--------------------------|--------------------------------|
| Housing main material | PBT | Housing colour | black (similar to RAL 9005) |
| Screw socket | Nickel-plated CuZn | Contact material | Nickel-plated CuZn |
| Contact surface | Gold-plated | Contact carrier material | PBT (UL 94 V0) |

Technical data cable

| | | | |
|-----------------|---|-----------------------------|----|
| Number of poles | 3 | Suitable for cable carriers | No |
|-----------------|---|-----------------------------|----|

Classifications

| | | | |
|-------------|-------------|-------------|-------------|
| ETIM 6.0 | EC002585 | ETIM 7.0 | EC003558 |
| ETIM 8.0 | EC003558 | ETIM 9.0 | EC003558 |
| ECLASS 9.0 | 27-44-01-08 | ECLASS 9.1 | 27-44-01-08 |
| ECLASS 10.0 | 27-44-01-11 | ECLASS 11.0 | 27-44-01-11 |
| ECLASS 12.0 | 27-44-01-11 | ECLASS 13.0 | 27-44-01-11 |

Environmental Product Compliance

| | |
|------------|--------------------------------------|
| REACH SVHC | Lead 7439-92-1 |
| SCIP | 22cbd99b-5f46-4c36-9938-bd61e241a9ab |

Data sheet**SAI-04L-VP12-3A-M08L-AND****Weidmüller Interface GmbH & Co. KG**
Klingenbergstraße 26
D-32758 Detmold
Germany

www.weidmueller.com

Technical data**Approvals**

Approvals



ROHS

Conform

Downloads

| | |
|-----------------------------|--|
| Engineering Data | CAD data – STEP |
| Product Change Notification | 20211208 Technical change to SAI M8 Line Distribution Boxes 20211208 Technische Änderung zu SAI M8 Line Verteiler |
| Catalogues | Catalogues in PDF-format |

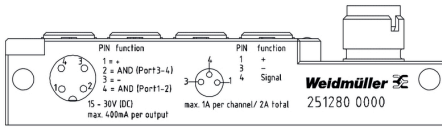
SAI-04L-VP12-3A-M08L-AND

Weidmüller Interface GmbH & Co. KG
 Klingenbergstraße 26
 D-32758 Detmold
 Germany

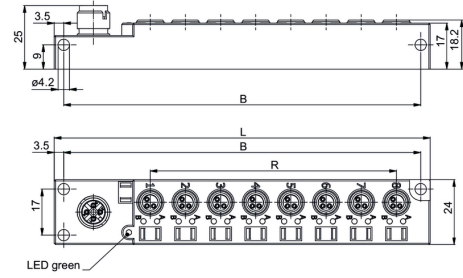
www.weidmueller.com

Drawings

Detailed drawing

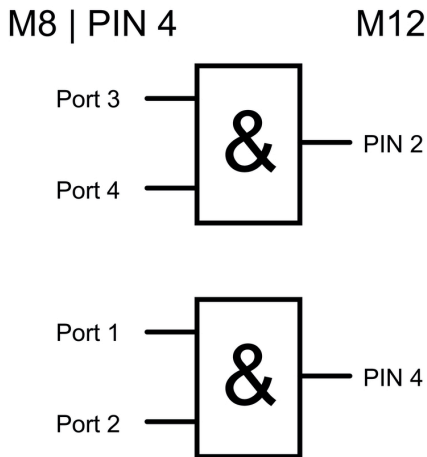


Dimensioned drawing



| Connection | Dimension L | Dimension R | B±0,1 |
|------------|-------------|-------------|-------|
| 8 times | 139 | 7x13=91 | 132 |
| 4 times | 87 | 3x13=39 | 80 |

Wiring diagram



Pole scheme

