

**SAI-06L-VPFC-3A-M08L-PNP-10U02****Weidmüller Interface GmbH & Co. KG**

Klingenbergstraße 26

D-32758 Detmold

Germany

www.weidmueller.com



The new slim M8 line from Weidmüller. This range of products is characterised by the marking options at all connection positions. Even the 4-way distributor with 8-pole M12 has adequately large markers at all M8 connection positions. Furthermore, this distributor is shorter than many conventional M8 designs.

- Very narrow, short and flat M8 distributor.
- The range is supplied with 4 to 12 M8 connection positions, 3 or 4 poles.
- Hybrid variants of the M8 are also possible on request.
- The M8 line is equipped with transverse holes.

**General ordering data**

Version	Fixed cable version, M8, 30 V, , LED: Yes, LED initiator: Yes, Wiring type: PNP, 10 m
Order No.	<a href="#">1828690000</a>
Type	SAI-06L-VPFC-3A-M08L-PNP-10U02
GTIN (EAN)	4032248335336
Qty.	1 pc(s).

## SAI-06L-VPFC-3A-M08L-PNP-10U02

Weidmüller Interface GmbH &amp; Co. KG

Klingenbergstraße 26

D-32758 Detmold

Germany

www.weidmueller.com

## Technical data

## Dimensions and weights

Depth	18.2 mm	Depth (inches)	0.717 inch
Height	118 mm	Height (inches)	4.646 inch
Width	24 mm	Width (inches)	0.945 inch
Net weight	771 g		

## Temperatures

Operating temperature	-25 - 80°C
-----------------------	------------

## Connection data

Sheathing stripping length	100 mm	Distributor outlet	Fixed cable version
----------------------------	--------	--------------------	---------------------

## Electrical data

Rated voltage, min.	10 V	Rated voltage, max.	30 V
Test voltage	1 kV	Max. current-carrying capacity per slot	2 A
Total current	6 A	Current per signal	1 A
Electrical isolation available	No	Insulation strength	10 <sup>9</sup> Ω

## General technical data

Protection degree	IP68	Number of poles	3
Number of contact sockets	6	Connection thread	M8
Pollution severity	3	Fire behaviour	V-0
LED	Yes	LED initiator	Yes
LED colour for indicating operation	green	LED colour for I/O function	yellow

## Material data

Material O-Ring	FKM	Housing main material	PBT
Material of distributor	Plastic	Housing colour	black (similar to RAL 9005)
Screw socket	Nickel-plated CuZn	Contact material	CuZn
Contact surface	Gold-plated	Contact carrier material	PBT (UL 94 V0)

## Technical data cable

Bending cycles	2 Mio	Bending radius, min., moving	10 x cable diameter
Halogen	No	Number of poles	3
O.D.	7.2 mm	Sheath material	PUR
Sheathing colour	black	Shielded	No
Wire cross section (Print/Online)	6 x 0.34 mm <sup>2</sup> + 2 x 0.75 mm <sup>2</sup>	Cable length	10 m
Suitable for cable carriers	Yes		

## Classifications

ETIM 6.0	EC002585	ETIM 7.0	EC002585
ETIM 8.0	EC002585	ETIM 9.0	EC002585
ECLASS 9.0	27-44-01-08	ECLASS 9.1	27-44-01-08
ECLASS 10.0	27-44-01-08	ECLASS 11.0	27-44-01-08
ECLASS 12.0	27-44-01-08	ECLASS 13.0	27-44-01-08

Creation date June 6, 2024 4:01:49 AM CEST

Catalogue status 01.06.2024 / We reserve the right to make technical changes.

2

## SAI-06L-VPFC-3A-M08L-PNP-10U02

Weidmüller Interface GmbH &amp; Co. KG

Klingenbergstraße 26

D-32758 Detmold

Germany

www.weidmueller.com

## Technical data

## Environmental Product Compliance

REACH SVHC	Lead 7439-92-1
SCIP	4060c755-8d0b-4d43-bdb3-4ffabe9d7497

## Approvals

Approvals



ROHS	Conform
UL File Number Search	UL Website
Certificate No. (cURus)	E92202

## Downloads

Engineering Data	<a href="#">CAD data – STEP</a>
Product Change Notification	<a href="#">20211208 Technical change to SAI M8 Line Distribution Boxes</a> <a href="#">20211208 Technische Änderung zu SAI M8 Line Verteiler</a>
Catalogues	<a href="#">Catalogues in PDF-format</a>
Brochures	<a href="#">FL FIELDWIRING EN</a> <a href="#">FL FIELDWIRING EN</a>

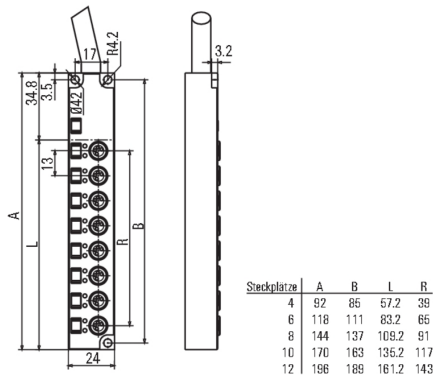
**SAI-06L-VPFC-3A-M08L-PNP-10U02**

**Weidmüller Interface GmbH & Co. KG**  
 Klängenbergsstraße 26  
 D-32758 Detmold  
 Germany

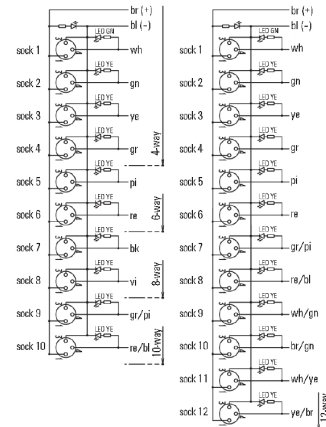
www.weidmueller.com

**Drawings**

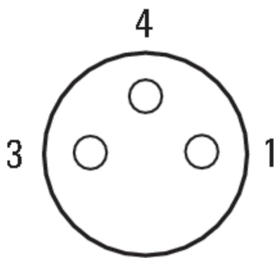
**Dimensioned drawing**



**Wiring diagram**



**Pole scheme**



**SAI-06L-VPFC-3A-M08L-PNP-10U02**

**Weidmüller Interface GmbH & Co. KG**  
 Klingenbergstraße 26  
 D-32758 Detmold  
 Germany

www.weidmueller.com

**Accessories**

**M8**



Protective caps protect unassigned plug-in stations against external influences.

**General ordering data**

Type	SAI-SK M8	Version
Order No.	<a href="#">1802760000</a>	Protected component assemblies, Protective cap
GTIN (EAN)	4032248257379	
Qty.	50 pc(s).	

**Blank**



MultiFit is the Weidmüller marker system used for other makes of terminals. Similar to the Weidmüller Dekafix, the markers of the MultiFit family are available ready-for-use with standard printing.

We recommend to carry out a test with sample markers on the terminals used when using MultiFit for the first time.

- One marker, suitable for different makes of terminals.
- Ready-to-use markers with standard printing
- Blank markers for printing with the PrintJet CONNECT or Plotter
- Delivery of individually printed markers according to customer CAE data or specifications
- One marking system for all applications

**For custom printing:** Please send us a file of our labeling software M-Print PRO or M-Print PRO Online (without installation) for your labeling specifications.

**General ordering data**

Type	MFF 10/6 MC NE WS	Version
Order No.	<a href="#">1856780000</a>	MultiFit, Terminal marker, 10 x 6 mm, Pitch in mm (P): 6.00 Festo,
GTIN (EAN)	4032248400881	white
Qty.	600 pc(s).	

**SAI-06L-VPFC-3A-M08L-PNP-10U02**

**Weidmüller Interface GmbH & Co. KG**  
 Klingenbergstraße 26  
 D-32758 Detmold  
 Germany

www.weidmueller.com

**Accessories**

**Screwty® cable gland tool with torque function**



**The ideal tool for any application**

Screwty® is the ideal, all-purpose tool for tightening all common sensor and actuator cables. Even difficult-to-reach round plugs are accessible using the Screwty®. A simple turning movement tightens and loosens the connectors without the need for excessive force. The Screwty® is a unique and global solution since it fits with most cables and plugs from other vendors (over 90 %). The Screwty® consists of a handle with a conventional 1/4" adapter. Thus it can be used for all sizes: for M12 and M8 round plug-in connectors, and for M12F and M8F customisable plugs and sockets, as well as for all M23 plugs and sockets.

**General ordering data**

Type	SCREWTY SET -DM	Version	Packaging
Order No.	<a href="#">1920000000</a>	Cable gland tool for M8, M12 lines and connectors	Cardboard box
GTIN (EAN)	4032248436859		
Qty.	1 pc(s).		