

# SACB-10/3-L-10,0PUR-M8 HD - Distributor box



1197328

<https://www.phoenixcontact.com/us/products/1197328>

Please be informed that the data shown in this PDF document is generated from our online catalog. Please find the complete data in the user documentation. Our general terms of use for downloads are valid.



Distributor box, application: Standard, connection method: M8 socket Metal, number of slots: 10, number of positions: 3, coding: A, slot assignment: single, status display: Yes, pnp; master cable connection: Fixed connection 180°, PUR/PVC, cable length: 10 m, shielding: no

## Your advantages

- Safety in the field, thanks to molded housing and high degree of protection
- Convenient: increased machine availability thanks to quick and easy diagnostics

## Commercial data

Item number	1197328
Packing unit	1 pc
Minimum order quantity	1 pc
Sales key	BF40
Product key	BF3BCA
GTIN	4063151256357
Weight per piece (including packing)	1,298 g
Weight per piece (excluding packing)	1,250 g
Customs tariff number	85444290
Country of origin	DE

## Technical data

### Notes

Assembly note	<b>NOTE:</b> Observe the permissible bending radii when laying conductors, since the degree of protection may be put in jeopardy if the bending forces are too high. Alleviate mechanical loads upstream of the connector, e.g. by using cable ties.
Note on application	Unused slots are to be sealed off prior to commissioning. Suitable sealing elements are to be found under "Accessories".

### Product properties

Product type	Distributor box
Application	Standard
Number of positions	3
Number of slots	10
Coding	A
LED	yes

### System properties

#### Local diagnostics

Monitored function	Supply voltage
Optical representation	Green LED

### Electrical properties

Max. operating voltage $U_{max}$	30 V DC
Local diagnostics	Supply voltage Green LED
	Status display I/O Yellow LED
Nominal voltage $U_N$	24 V DC
Rated current, total	6 A
Max. current carrying capacity per path	2 A
Current carrying capacity per slot	2 A

### Connection data

#### Conductor connection

Sensor/actuator connection system	M8 socket
Tightening torque slot sensor/actuator cable	0.2 Nm

#### Pin assignment

Slot/position = Wire color or connection	1 / 4 (A) = WH
	2 / 4 (A) = GN
	3 / 4 (A) = YE
	4 / 4 (A) = GY
	5 / 4 (A) = PK
	6 / 4 (A) = RD

# SACB-10/3-L-10,0PUR-M8 HD - Distributor box



1197328

<https://www.phoenixcontact.com/us/products/1197328>

	7 / 4 (A) = BK
	8 / 4 (A) = VT
	9 / 4 (A) = WHPK
	10 / 4 (A) = PKBN
	1-10 / 1 (+24 V) = BN
	1-10 / 3 (0 V) = BU

## Signaling

Status display present	Yes
------------------------	-----

## Dimensions

Dimensional drawing	
Width	30 mm
Height	20 mm
Length	151.5 mm

## Material specifications

Material Threaded sleeve	Cu alloy
Material Housing	PBT
Material Molding compound	PUR
Seal material O-ring	FKM
Contact material	CuZn
Contact surface material	Ni/Au
Contact carrier material	PBT

## Cable/line

Cable length	10 m
--------------	------

### PUR/PVC black [PUR]

Dimensional drawing	
Cable weight	111.1 kg/km
UL AWM Style	20549

# SACB-10/3-L-10,0PUR-M8 HD - Distributor box



1197328

<https://www.phoenixcontact.com/us/products/1197328>

Number of positions	12
Shielded	no
Cable type	PUR/PVC black [PUR]
Conductor structure signal line	19x 0.15 mm
AWG signal line	22
Conductor cross section	10x 0.34 mm <sup>2</sup> (Signal line) 2x 0.75 mm <sup>2</sup> (power line)
Wire diameter incl. insulation	1.3 mm ±0.1 mm (Signal line) 1.8 mm ±0.1 mm (power line)
External cable diameter	8.60 mm ±0.2 mm
Outer sheath, material	PUR
External sheath, color	black RAL 9005
Conductor material	Bare Cu litz wires
Material wire insulation	PVC
Single wire, color	brown, blue, white, green, yellow, gray, pink, red, black, violet, white/pink, pink/brown
Inner sheath thickness	≥ 0.15 mm
Thickness, outer sheath	≥ 0.38 mm
Overall twist	Wires twisted in layers
Nominal voltage, cable	300 V
Test voltage	2000 V
Minimum bending radius, fixed installation	7.5 x D
Minimum bending radius, flexible installation	10 x D
Smallest bending radius, fixed installation	65 mm
Smallest bending radius, movable installation	86 mm
Max. bending cycles	1500000
Bending radius	86 mm
Traversing path	2 m
Traversing rate	2 m/s
Flame resistance	DIN EN 50265
Resistance to oil	according to VDE 0472 Part 803
Other resistance	Highly resistant to acids, alkaline solutions and solvents
Special properties	Silicone-free
Ambient temperature (operation)	-40 °C ... 90 °C (cable, fixed installation) -5 °C ... 80 °C (Cable, flexible installation) 80 °C (in acc. with UL)

## Environmental and real-life conditions

### Ambient conditions

Degree of protection	IP67
Ambient temperature (operation)	-25 °C ... 80 °C

## Standards and regulations

Standard designation	M8 connector
----------------------	--------------

# SACB-10/3-L-10,0PUR-M8 HD - Distributor box



1197328

<https://www.phoenixcontact.com/us/products/1197328>

Standards/specifications

IEC 61076-2-104

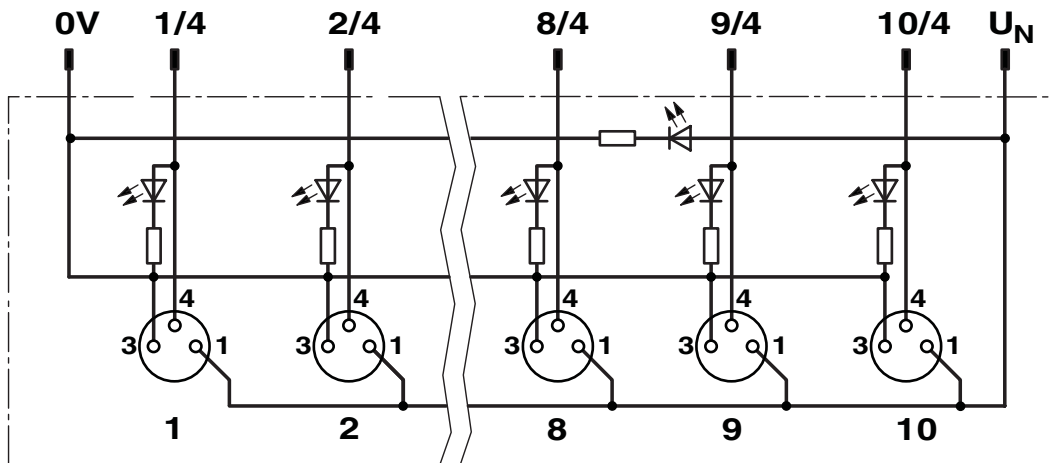
# SACB-10/3-L-10,0PUR-M8 HD - Distributor box

1197328

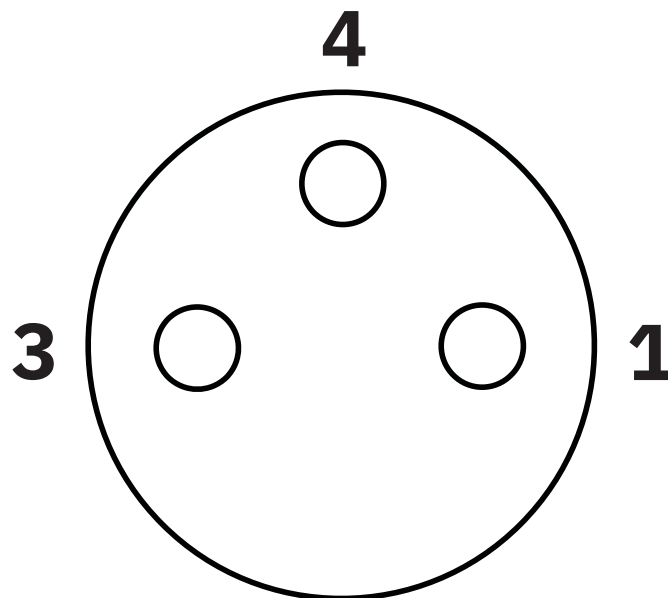
<https://www.phoenixcontact.com/us/products/1197328>

## Drawings

Circuit diagram



Schematic diagram



M8 slot, socket, 3-pos.

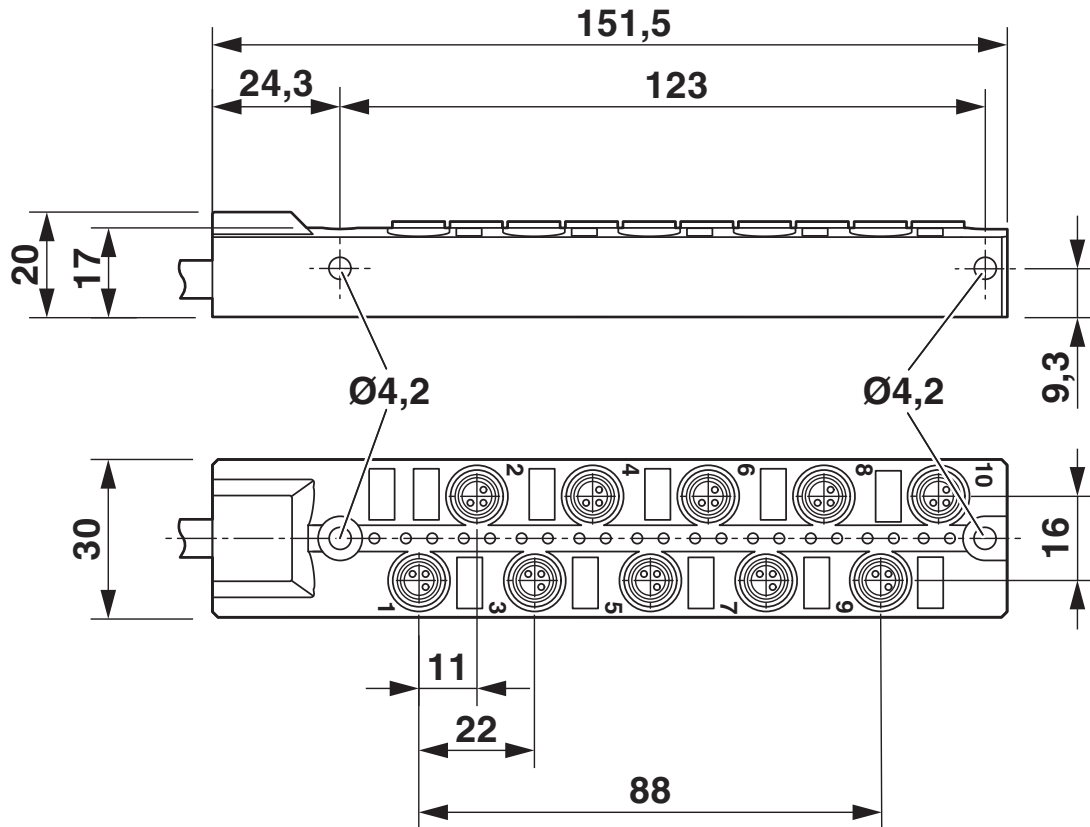
# SACB-10/3-L-10,0PUR-M8 HD - Distributor box



1197328

<https://www.phoenixcontact.com/us/products/1197328>

Dimensional drawing



# SACB-10/3-L-10,0PUR-M8 HD - Distributor box



1197328

<https://www.phoenixcontact.com/us/products/1197328>

## Approvals

To download certificates, visit the product detail page: <https://www.phoenixcontact.com/us/products/1197328>



**cUL Recognized**  
Approval ID: E238705



**UL Recognized**  
Approval ID: E238705



**UL Recognized**  
Approval ID: FILE E 118976

	Nominal voltage $U_N$	Nominal current $I_N$	Cross section AWG	Cross section $\text{mm}^2$
	24 V	-	-	-



**cUL Recognized**  
Approval ID: FILE E 118976

	Nominal voltage $U_N$	Nominal current $I_N$	Cross section AWG	Cross section $\text{mm}^2$
	24 V	-	-	-



# SACB-10/3-L-10,0PUR-M8 HD - Distributor box



1197328

<https://www.phoenixcontact.com/us/products/1197328>

## Classifications

### ECLASS

ECLASS-11.0	27440108
ECLASS-12.0	27440108
ECLASS-13.0	27440108

### ETIM

ETIM 9.0	EC002585
----------	----------

### UNSPSC

UNSPSC 21.0	31251500
-------------	----------

# SACB-10/3-L-10,0PUR-M8 HD - Distributor box



1197328

<https://www.phoenixcontact.com/us/products/1197328>

## Environmental product compliance

### EU RoHS

Fulfills EU RoHS substance requirements	Yes, No exemptions
---	--------------------

### China RoHS

Environment friendly use period (EFUP)	EFUP-E
	No hazardous substances above the limits

### EU REACH SVHC

REACH candidate substance (CAS No.)	No substance above 0.1 wt%
-------------------------------------	----------------------------

# SACB-10/3-L-10,0PUR-M8 HD - Distributor box



1197328

<https://www.phoenixcontact.com/us/products/1197328>

## Accessories

### UCT-TM 6 - Marker for terminal blocks

0828736

<https://www.phoenixcontact.com/us/products/0828736>



Marker for terminal blocks, Sheet, white, unlabeled, can be labeled with: TOPMARK NEO, TOPMARK LASER, BLUEMARK ID COLOR, BLUEMARK ID, BLUEMARK CLED, THERMOMARK PRIME, THERMOMARK CARD 2.0, THERMOMARK CARD, mounting type: snapped, for terminal block width: 6.2 mm, lettering field size: 5.6 x 10.5 mm, Number of individual labels: 60

### PROT-M8 - Screw plug

1682540

<https://www.phoenixcontact.com/us/products/1682540>



An M8 screw plug for the unoccupied M8 sockets of the sensor/actuator cable, boxes and flush-type connectors

# SACB-10/3-L-10,0PUR-M8 HD - Distributor box

1197328

<https://www.phoenixcontact.com/us/products/1197328>



## WIREFOX-D 40 - Stripping tool

1212161

<https://www.phoenixcontact.com/us/products/1212161>



Stripping tool, for stripping cables of 4.5 mm - 40 mm-Ø, insulation thickness of up to 4.5 mm, pivoting blade for round, lengthwise, and spiral cuts

---

## WIREFOX-D 11 - Stripping tool

1212160

<https://www.phoenixcontact.com/us/products/1212160>



Stripping tool, for stripping multicore signal, control and fiberglass wires of Ø 2.5 - 11 mm. Insulation thickness up to 1 mm

# SACB-10/3-L-10,0PUR-M8 HD - Distributor box



1197328

<https://www.phoenixcontact.com/us/products/1197328>

## WIREFOX-D 13 - Stripping tool

1212162

<https://www.phoenixcontact.com/us/products/1212162>



Stripping tool, for stripping installation lines of  $\varnothing$  8 - 13 mm , e.g. NYM 3 x 1.5 mm<sup>2</sup> to 5 x 2.5 mm<sup>2</sup>, single line stripping 0.2 mm<sup>2</sup> - 4 mm<sup>2</sup> , with longitudinal cut blade and sliding knife

---

## WIREFOX-MP VDE - Stripping tool

1212528

<https://www.phoenixcontact.com/us/products/1212528>



Multifunction stripping tool, for removing the jacket from cables with a diameter of 8 to 13 mm, for stripping cables with a cross section of 0.2 to 10 mm<sup>2</sup>, with full-fledged diagonal cutter, VDE 1000 V AC/1500 V DC tested

# SACB-10/3-L-10,0PUR-M8 HD - Distributor box



1197328

<https://www.phoenixcontact.com/us/products/1197328>

## WIREFOX 2,5 - Stripping tool

1212368

<https://www.phoenixcontact.com/us/products/1212368>



Stripping tool, for conductors and cables with a conductor cross section from 0.08 to 2.5 mm, self-adjusting, stripping length adjustable up to 15 mm, cutting capacity up to 6 mm<sup>2</sup> stranded/1.5 mm<sup>2</sup> solid

---

## TSD 02 SAC - Torque screwdriver

1208487

<https://www.phoenixcontact.com/us/products/1208487>



Torque screwdriver, with preset torque of 0.2 Nm and 4 mm hexagonal drive for M8 connectors

# SACB-10/3-L-10,0PUR-M8 HD - Distributor box



1197328

<https://www.phoenixcontact.com/us/products/1197328>

## SAC BIT M8-D10 - Tool

1208461

<https://www.phoenixcontact.com/us/products/1208461>



Nut for assembling M8 connectors with longitudinal knurl and a knurl diameter of 10 mm, for 4 mm hexagonal drive

---

## SACC BIT M8-D12 - Tool

1208474

<https://www.phoenixcontact.com/us/products/1208474>



Nut for assembling M8 connectors with longitudinal knurl and a knurl diameter of 12 mm, for 4 mm hexagonal drive

---

Phoenix Contact 2024 © - all rights reserved  
<https://www.phoenixcontact.com>

Phoenix Contact USA  
586 Fulling Mill Road  
Middletown, PA 17057, United States  
(+717) 944-1300  
[info@phoenixcon.com](mailto:info@phoenixcon.com)