

4

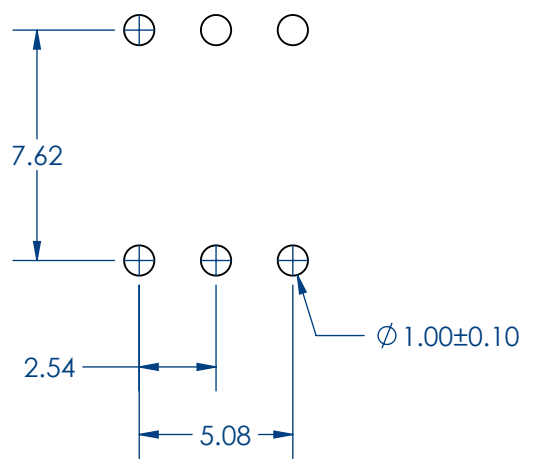
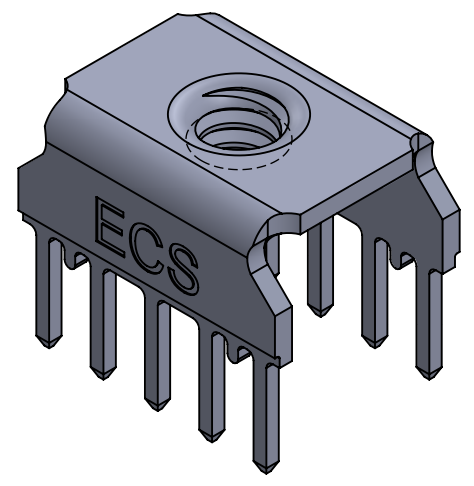
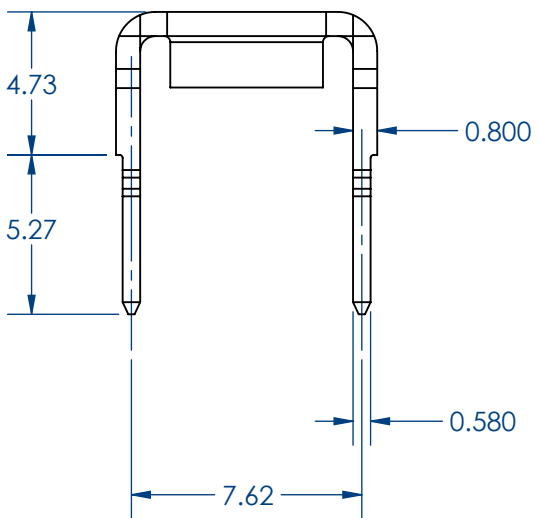
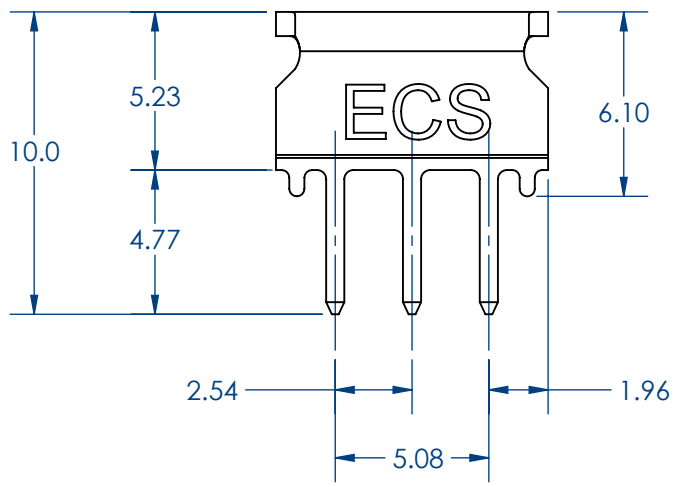
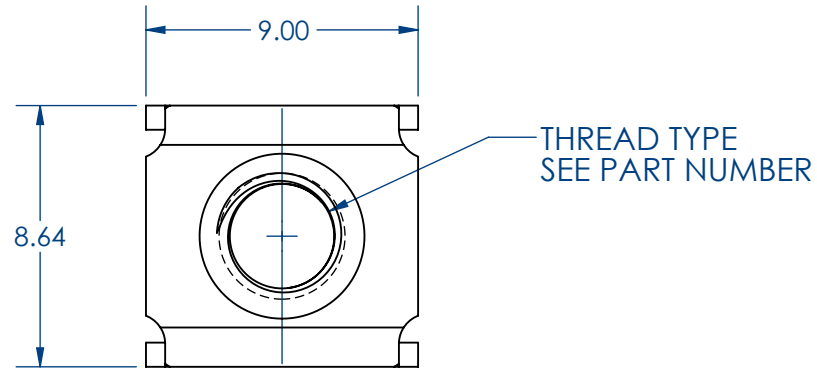
3

2

1

PART NUMBER	THREAD TYPE
13PTS06-M3	M3
13PTS06-M4	M4
13PTS06-632	6-32UNC
13PTS06-832	8-32UNC

REVISIONS			
REV.	DESCRIPTION	DATE	APPROVED



- NOTES:
1. MATERIAL: Copper Alloy
  2. PLATING: Tin over Nickel
  3. Current Rating: 40A max. per contact.
  4. Operating Temperature: -55°C to 125°C
  5. Recommended Hole Size Diameter:  $\phi 1.00 \pm .10$
  6. Screw Torque: 10.1 lbs max.

UNLESS OTHERWISE SPECIFIED:		NAME	DATE	<b>ECS</b> TITLE: 6 CONTACTS POWER TAP WITH SOLDER TAIL
DIMENSIONS ARE IN mm TOLERANCES:		DRAWN	CT 04.20.15	
x.x ±0.10		CHECKED		
x.xx ±0.05		ENG APPR.		
x.xxx ±0.03		MFG APPR.		
<b>PROPRIETARY AND CONFIDENTIAL</b> THE INFORMATION CONTAINED IN THIS DRAWING IS THE SOLE PROPERTY OF ECS. ANY REPRODUCTION IN PART OR AS A WHOLE WITHOUT THE WRITTEN PERMISSION OF ECS IS PROHIBITED.		COMMENTS:		SIZE <b>B</b> DWG. NO. 13PTS06-XX REV A
SCALE: 4:1			SHEET 1 OF 1	

4

3

2

1

B

B

A

A