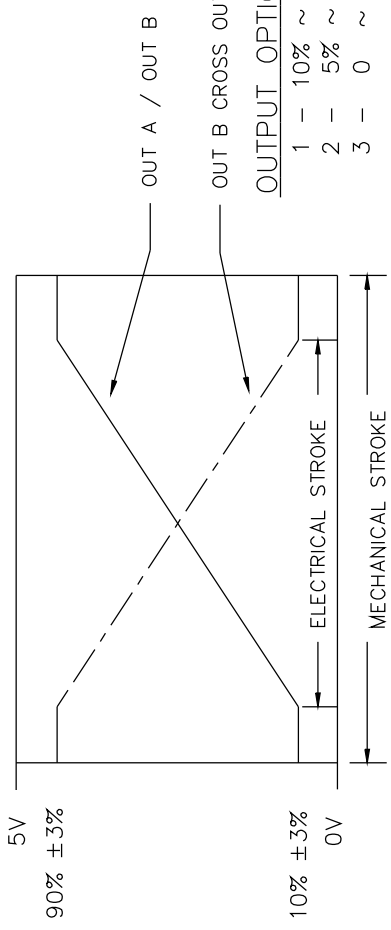


GENERAL SPECIFICATION:

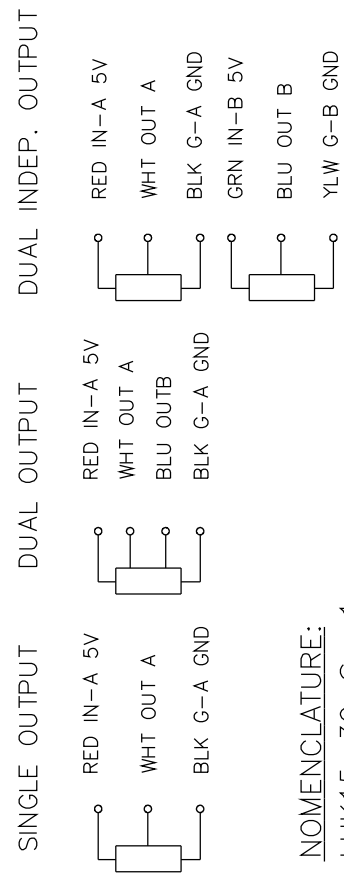
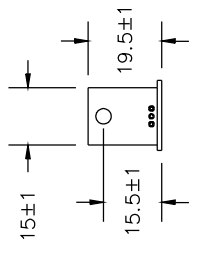
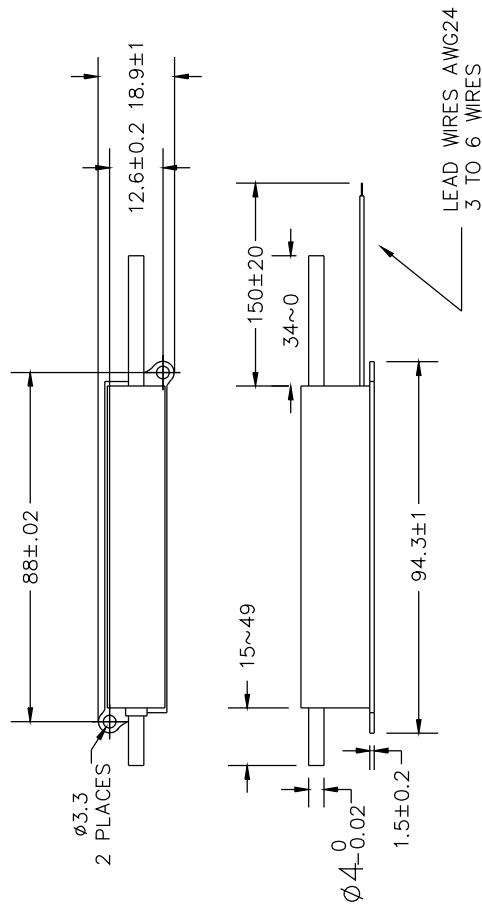
CURRENT CONSUMPTION SINGLE OUTPUT ----- WITHIN 15mA  
 CURRENT CONSUMPTION DUAL OUTPUT ----- WITHIN 30mA  
 INDEPENDENT LINEARITY TOL. ----- ±0.5%FS  
 MECHANICAL STROKE (MS) ----- APPROX. 34mm  
 ELECTRICAL STROKE ----- 30mm±0.5mm  
 APPLIED VOLTAGE ----- 5V±10%D.C  
 LOAD RESISTANCE ----- 10KOHMS MIN  
 EFFECTIVE OUTPUT ----- 10% ±3% ~ 90% ±3% VIN  
 OUTPUT TEMPERATURE CHARACT. ----- WITHIN±0.8%VOUT.FS  
 OPERATING TEMPERATURE RANGE ----- -40°C ~ +105°C  
 STORAGE TEMPERATURE RANGE ----- -40°C ~ +105°C  
 STOPPER STRENGTH ----- APPROX. 20N (2kgF)  
 FRICTION ----- WITHIN 0.6N(60gf)  
 MASS ----- APPROX 44g

ENVIRONMENTAL SPECIFICATION:

THERMAL SHOCK ----- 5 CYCLES -40°C ~ +105°C  
 EXPOSURE TO LOW TEMPERATURE ----- 24 HOURS AT -40°C  
 EXPOSURE AT HIGH TEMPERATURES ----- 1,000 HOURS AT +105°C  
 VIBRATION ----- 10 ~ 2,000Hz 196m/s.s 12 HOURS  
 SHOCK ----- 980m/s.s 6ms (18 TIMES)  
 LIFE EXPECTANCY ----- APPROX. 50,000,000 RECIPROCATING MOTIONS  
 EMS TOLERANCE ----- 100V/m (80MHz ~ 1GHz 1KHz SIN WAVE  
 80% AMPLITUDE MODULATION)  
 ESD TOLERANCE ----- ±8KV CONTACT / ±15KV AERIAL DISCHARGE



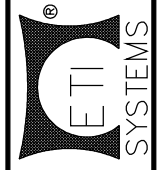
OUTPUT OPTIONS:  
 1 - 10% ~ 90%  
 2 - 5% ~ 95%  
 3 - 0 ~ 100%



NOMENCLATURE:



SCALE	DATE: 9-11-13
NONE	BY AT
CODE IDENT: 19477	APPRV'D



TITLE  
 CONTACTLESS  
 POTENTIOMETER

PART NO.  
 LHK15-30