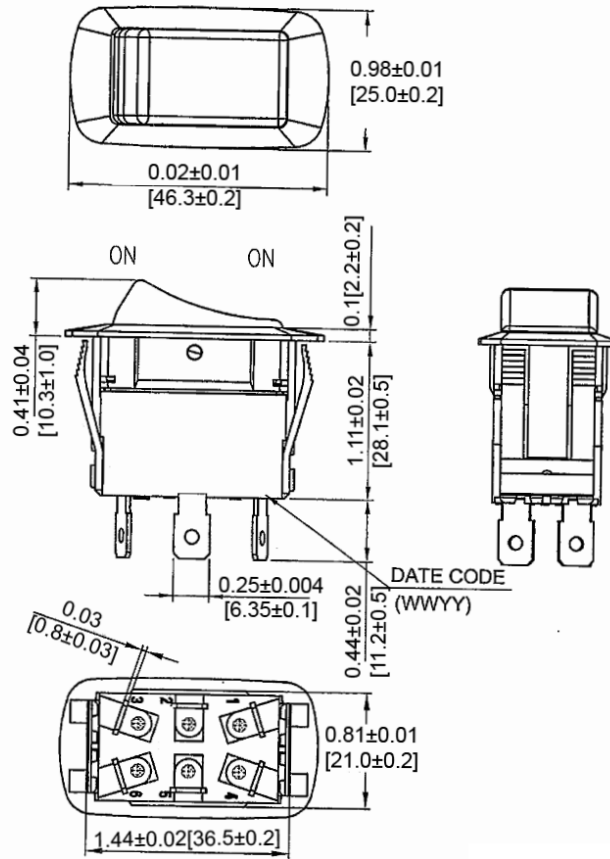
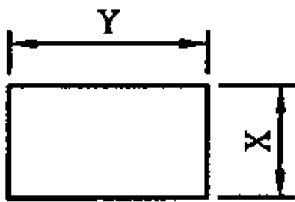


Mechanical Dimensions: Inches [mm]

Tolerances ± 0.012 [0.3] Unless Otherwise Specified



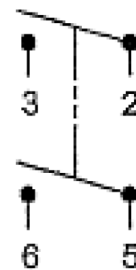
Mounting Hole



| Thickness | X | Y |
|--------------------------|--------------------------|--------------------------|
| 0.03~0.05 [0.75~1.25] | 0.83+0.004 [21.2+0.1] | 1.44+0.004 [36.6+0.1] |
| 0.05~0.1 [1.25~2.0] | 0.83+0.004 [21.2+0.1] | 1.45+0.004 [36.8+0.1] |
| 0.1~0.12 [2.0~3.0] | 0.83+0.004 [21.2+0.1] | 1.46+0.004 [37.0+0.1] |

Circuit Diagram

6P DPDT ON-ON



Electrical Specifications

| | |
|------------------------------|---|
| DC Rating | 21A 14V DC, 10A 28V DC |
| AC Rating | 16A 125V AC, 10A 277V AC, 3/4HP 125-277V AC, 20A 125V AC, 10A 250V AC16(4)A 125/250V AC |
| Contact Resistance | 50m ohm Max |
| Insulation Resistance | DC 500V 100M ohm Min |
| Dielectric Strength | AC 1500V 1 minute |

Material Specifications

| | |
|------------------------------|-----------------------|
| Frame | Black, Nylon 66 |
| Actuator | Black, Nylon 66+33%GF |
| Ingress Protection | IP56 |
| Operation Temperature | -20°C~85°C |

| Rev | Date of issue | Revision Notes | Designed | Approved |
|-----|---------------|-----------------|----------|----------|
| B | 06-08-2021 | Initial Drawing | RC | OF |