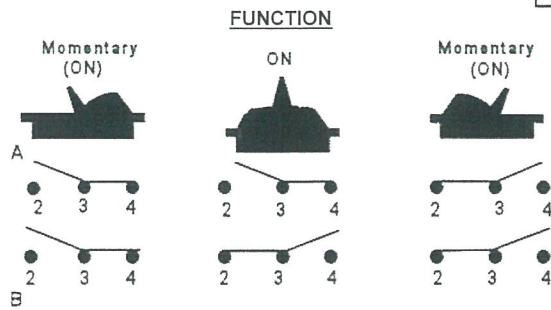
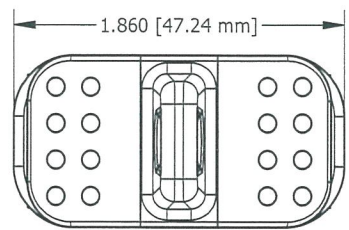


THIS INFORMATION IS CONFIDENTIAL AND PROPRIETARY TO CW INDUSTRIES INCORPORATED AND ITS AFFILIATES. IT MAY NOT BE DISCLOSED TO ANYONE, OTHER THAN CW INDUSTRIES PERSONNEL, WITHOUT WRITTEN AUTHORIZATION FROM CW INDUSTRIES INCORPORATED, SOUTHAMPTON, PENNSYLVANIA USA.

DIMENSIONS IN INCHES (MILLIMETERS)
DO NOT SCALE DRAWING

Dwg. No. **GRB-292-0100**

REVISIONS	DESCRIPTION	DATE
0	NEW.	DGW 12-16-19
1	Redrawn. Updated drawing.	DGW 1/29/20 Jan. 29, 2020
2	Redrawn. Added 25% Glass Filled materials.	DGW 11/15/21



MATERIALS:

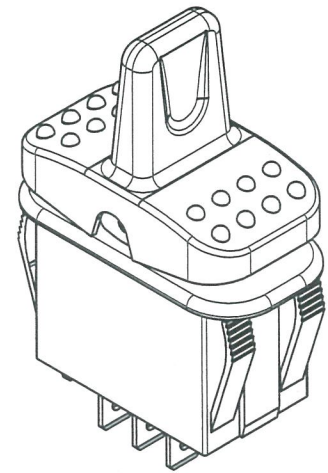
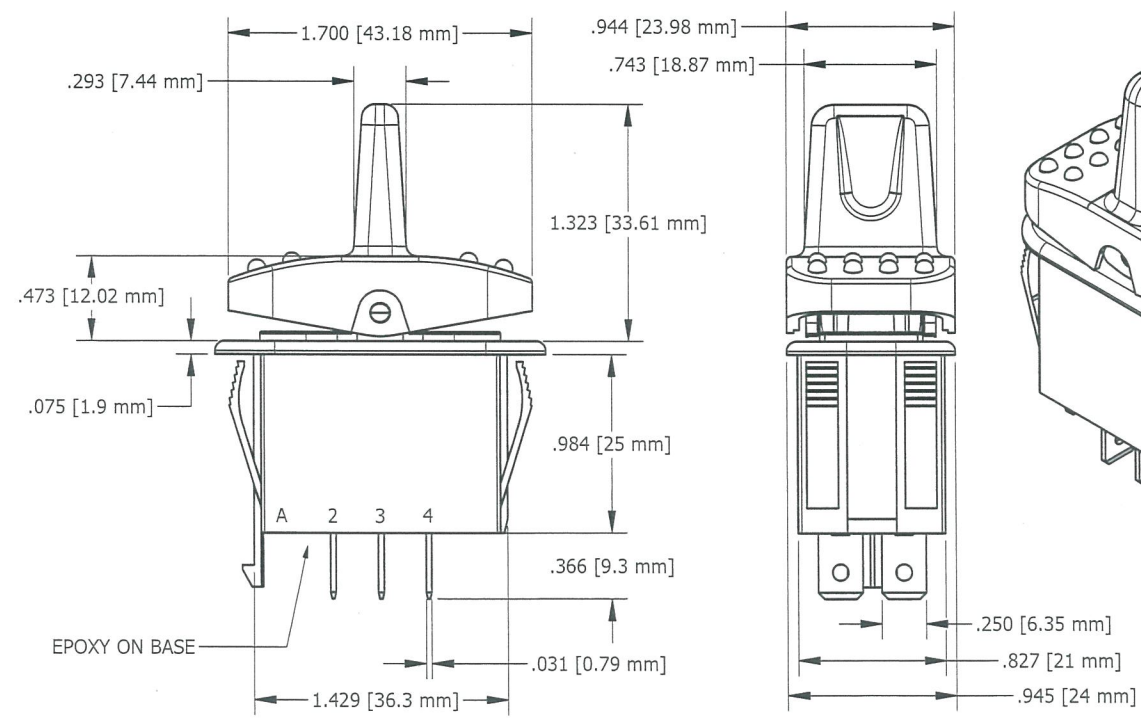
Frame: Nylon 6/6 (94-2), Black
Actuator: Nylon 6/6, 25% Glass Filled, Black
Terminals: Silver Plated Brass
Ingress Protection: IP 67

Rating:

10A 28VDC

FUNCTION:

DPDT (ON) - ON - (ON)



Mounting Hole

Thickness	"X"	"Y"	(mm)
.030 - .049 (0.75 - 1.25)	.827 ^{+0.012} ₋₀	1.441 ^{+0.004} ₋₀	(36.6 ^{+0.1} ₋₀)
.049 - .079 (1.25 - 2.0)		1.449 ^{+0.004} ₋₀	(36.8 ^{+0.1} ₋₀)
.079 - .118 (2.0 - 3.0)	(21.0 ^{+0.3} ₋₀)	1.457 ^{+0.004} ₋₀	(37.0 ^{+0.1} ₋₀)

CW INDUSTRIES
Southampton, Pa. 18966

TOLERANCES UNLESS OTHERWISE SPECIFIED

2 Place Decimal ± .010	METRIC
3 Place Decimal ± .005	1 Place Dec. ± .25mm
Angles ± 1°	2 Place Dec. ± .13mm

Title: **TAB
ROCKER
SWITCH
(ON)-ON-(ON)**

Made for: CW IND.
Drawn by: DGW 12-16-19
Checked by: *G. GULD 11-15-21*
Approved: *CH 11/15/21*

Division: SWITCH
Dwg. No. **GRB-292-0100**

GRB292J001B

1 2 3 4 5 6 7 8 9 10

MASTER