

Friction ring

REIB-RING SGM 40 PU-55

Part no.:10.01.17.00137

<https://www.schmalz.com/10.01.17.00137>

Home > Vacuum Technology for Automation > Vacuum Components > Special Grippers > Magnetic Grippers > REIB-RING SGM 40 PU-55

Friction ring



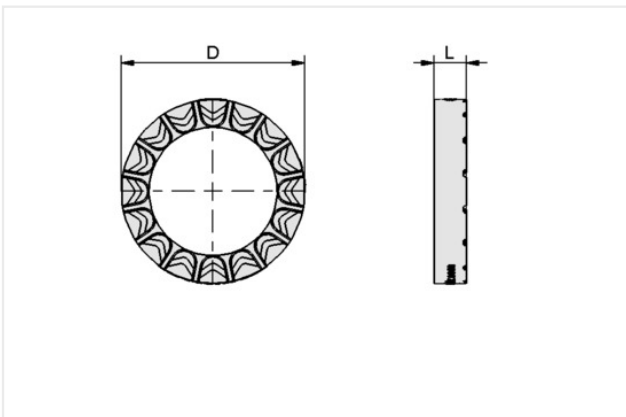
Construction use: Magnetic gripper

Size: 40

External diameter D: 40 mm

Internal diameter d: 26 mm

Design Data



Attribute	Value
D	40 mm
L	8.80 mm

Technical Data

Attribute	Value
Size	40
Suction cup material	Polyurethane PU
Operating temperature (max.)	100 °C
Material hardness [Shore A]	55 Shore A
Weight	4.70 g

Material HT2: Operating temperature max. short-term up to +250 °C

Contact Schmalz

Schmalz Inc. | 5850 Oak Forest Drive, Raleigh, NC 27616, United States | +1 (919) 713-0880 | schmalz.us@schmalz.com