

## Suction plate (round)

SPU 100 NBR-55 G1/4-IG

Part no...:10.01.01.01107

<https://www.schmalz.com/10.01.01.01107>

Home > Vacuum Technology for Automation > Vacuum Components > Vacuum Suction Cups > Suction Cups for Handling Wood > Suction Plates  
SPU > SPU 100 NBR-55 G1/4-IG

### Suction plate (round), universal, for smooth and slightly rough surfaces



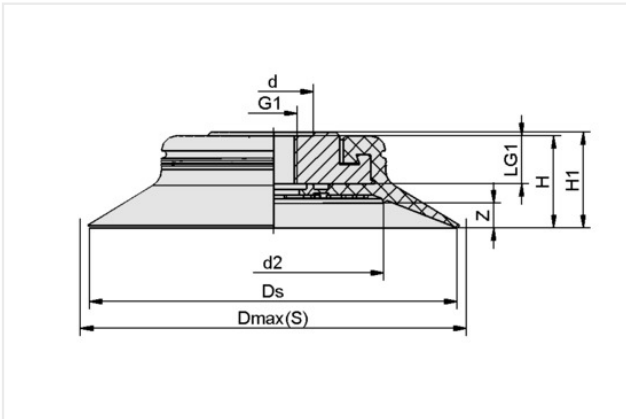
Size: 100

Suction cup material: Nitrile rubber NBR

Material hardness [Shore A]: 55 Shore A

Connection: G1/4"-F

### Design Data



Attribute	Value
d	22 mm
d2	60 mm
Dmax(S)	108 mm
Ds	100 mm
G1	G1/4"-F
H	24.50 mm
H1	25.50 mm
LG1	13 mm
Z (Stroke)	7.50 mm

Note: Acceptable dimensional tolerances for elastomer parts concerning to DIN ISO 3302-1 M3

### Technical Data

Attribute	Value
Suction force (-600mbar)	425 N
Suction force d2	185 N
Volume	44.30 cm <sup>3</sup>
Curve radius (min) (convex)	130 mm
Hose diameter (rec.) d	9 mm
Size	100
Suction cup material	Nitrile rubber NBR

### Contact Schmalz

Schmalz Inc. | 5850 Oak Forest Drive, Raleigh, NC 27616, United States | +1 (919) 713-0880 | [schmalz.us@schmalz.com](mailto:schmalz.us@schmalz.com)

## Suction plate (round)

SPU 100 NBR-55 G1/4-IG

Part no...:10.01.01.01107

<https://www.schmalz.com/10.01.01.01107>

Material hardness [Shore A]	55 Shore A
Weight	100 g
Number of folds	0
Product family	SPU

Note: Suction force: The specified suction forces are theoretical values at a vacuum of -0.6 bar and with a dry, smooth and flat workpiece surface - they do not include a safety factor Hose diameter: The recommended hose diameter refers to a hose length of approx. 2 m

### Accessories



#### SU 100

Part no...:10.01.01.12840

Size: 100

Clamping range: 100.0 ... 115.0 mm

Temperature resistance: 80 °C

### Spare parts



#### DR-SPU 100 NBR-55

Part no...:10.01.01.01104

Size: 100

Suction cup material: Nitrile rubber NBR

Material hardness [Shore A]: 55 Shore A