



902 to 928 MHz, RFID Flat Panel Antenna, 10 dBi Gain RP SMA Male, PVC Radome, RHCP

## Antennas Technical Data Sheet

**PEANFP1061**

### Features

- High Performance Multi-tag read/write Capabilities
- Concealable Design
- Right Hand Circular Polarized
- 902 to 928 MHz Frequency Range
- 2 Meter Cable
- RP SMA Male Connector

### Applications

- Radio Frequency Identification
- Inventory Management
- Access Control
- Data Collection
- Asset Tracking
- Livestock Management

### Description

Pasternack's PEANFP1061 is a RHCP RFID flat panel antenna. The PEANFP1061 with a 10 dBi gain nominal is a Directional antenna. Our 902 to 928 MHz antenna has Reverse Polarity SMA Male connector.

With an impedance of 50 Ohms and max input power of 20 Watts, the PEANFP1061 flat panel RHCP antenna is well suited for Radio Frequency Identification tag reading applications. This 902-928 MHz 10 dBi gain RFID antenna is highly directional providing the reader radio the capabilities of simultaneously reading a multitude of RFID tags with a high degree of accuracy.

Pasternack's RFID PEANFP1061 has a radome made of PVC in White color and comes from a facility certified to ISO 9001:2015. This RP SMA Male connectized Antenna has an overall length of 18 in, width of 6 in, and weighs 2.42 lbs. Use our on-line ordering system to purchase your PEANFP1061 RFID Directional RHCP antenna 24 hours a day with same-day shipping and no MOQs (minimum order quantities).

### Configuration

|                      |                           |
|----------------------|---------------------------|
| Design               | Flat Panel                |
| Application Band     | RFID                      |
| Band Type            | Single                    |
| Radiation Pattern    | Directional               |
| Polarization         | RHCP                      |
| Cable Type           | RG142                     |
| Connector Type       | SMA Male Reverse Polarity |
| Lightning Protection | DC Grounded               |

### Electrical Specifications

| Description                     | Minimum | Typical | Maximum | Units   |
|---------------------------------|---------|---------|---------|---------|
| Frequency Range                 | 902     |         | 928     | MHz     |
| Input VSWR                      |         |         | 1.3:1   |         |
| Impedance                       |         | 50      |         | Ohms    |
| Gain                            |         | 10      |         | dBi     |
| Front to Back Ratio             |         | 15      |         | dB      |
| Horizontal (Azimuth) Beam Width |         | 80      |         | Degrees |
| Vertical (Elevation) Beam Width |         | 30      |         | Degrees |
| Input Power                     |         |         | 20      | Watts   |

Click the following link (or enter part number in "SEARCH" on website) to obtain additional part information including price, inventory and certifications: [902 to 928 MHz, RFID Flat Panel Antenna, 10 dBi Gain RP SMA Male, PVC Radome, RHCP PEANFP1061](#)



902 to 928 MHz, RFID Flat Panel Antenna, 10 dBi Gain RP SMA Male, PVC Radome, RHCP

## Antennas Technical Data Sheet

**PEANFP1061**

### Mechanical Specifications

|                 |                   |
|-----------------|-------------------|
| Radome Material | PVC               |
| <b>Size</b>     |                   |
| Overall Length  | 18 in [457.2 mm]  |
| Width           | 6 in [152.4 mm]   |
| Height          | 1 in [25.4 mm]    |
| Weight          | 2.42 lbs [1.1 kg] |

### Connectors

| Description                           | Connector 1            | Connector 2 | Connector 3 |
|---------------------------------------|------------------------|-------------|-------------|
| Inner Conductor Material and Plating  | Beryllium Copper, Gold |             |             |
| Inner Conductor Plating Specification | QQ-C-530               |             |             |
| Coupling Nut Plating Specification    | QQ-B-626               |             |             |
| Body Material and Plating             | Brass, Nickel          |             |             |
| Body Plating Specification            | QQ-B-626               |             |             |

### Environmental Specifications

#### Temperature

|                 |                  |
|-----------------|------------------|
| Operating Range | -40 to +60 deg C |
|-----------------|------------------|

**Compliance Certifications** (see [product page](#) for current document)

### Plotted and Other Data

Notes:

Click the following link (or enter part number in "SEARCH" on website) to obtain additional part information including price, inventory and certifications: [902 to 928 MHz, RFID Flat Panel Antenna, 10 dBi Gain RP SMA Male, PVC Radome, RHCP PEANFP1061](#)



902 to 928 MHz, RFID Flat Panel Antenna, 10 dBi  
Gain RP SMA Male, PVC Radome, RHCP

## Antennas Technical Data Sheet

**PEANFP1061**

902 to 928 MHz, RFID Flat Panel Antenna, 10 dBi Gain RP SMA Male, PVC Radome, RHCP from Pasternack Enterprises has same day shipment for domestic and International orders. Our RF, microwave and millimeter wave products maintain a 99.4% availability and are part of the broadest selection in the industry.

Click the following link (or enter part number in "SEARCH" on website) to obtain additional part information including price, inventory and certifications: [902 to 928 MHz, RFID Flat Panel Antenna, 10 dBi Gain RP SMA Male, PVC Radome, RHCP PEANFP1061](https://www.pasternack.com/10-dbi-flat-panel-antenna-902-928-mhz-reverse-polarity-sma-male-connector-peanfp1061-p.aspx)

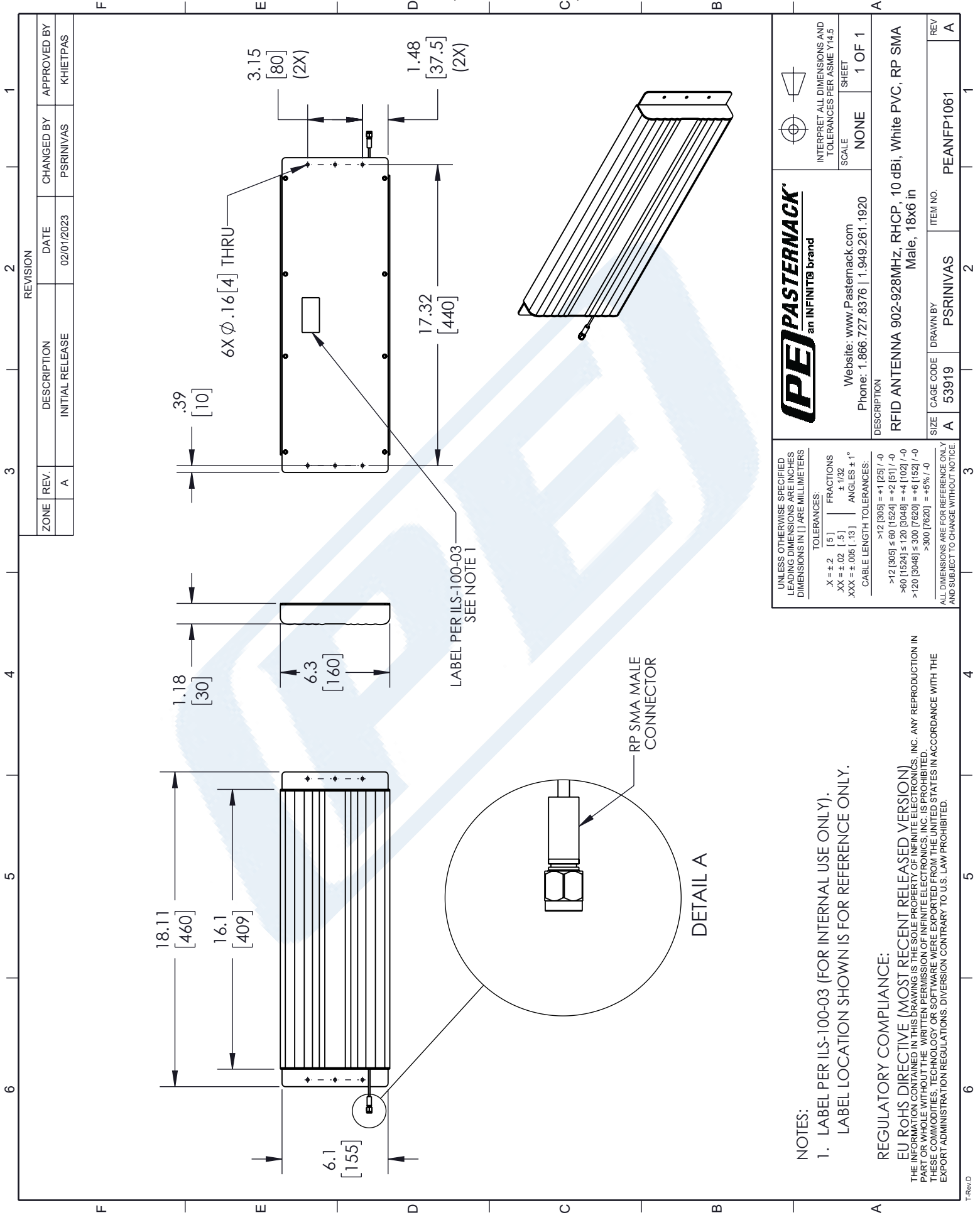
URL: <https://www.pasternack.com/10-dbi-flat-panel-antenna-902-928-mhz-reverse-polarity-sma-male-connector-peanfp1061-p.aspx>

The information contained in this document is accurate to the best of our knowledge and representative of the part described herein. It may be necessary to make modifications to the part and/or the documentation of the part, in order to implement improvements. Pasternack reserves the right to make such changes as required. Unless otherwise stated, all specifications are nominal. Pasternack does not make any representation or warranty regarding the suitability of the part described herein for any particular purpose, and Pasternack does not assume any liability arising out of the use of any part or documentation.

# PEANFP1061 CAD Drawing

902 to 928 MHz, RFID Flat Panel Antenna, 10 dBi Gain

RP SMA Male, PVC Radome, RHCP



LABEL PER ILS-100-03  
SEE NOTE 1

RP SMA MALE  
CONNECTOR

DETAIL A

|   |   |
|---|---|
| <p><b>PASTERNAK</b><br/>an INFINITI® brand</p> <p>Website: <a href="http://www.Pasternack.com">www.Pasternack.com</a><br/>Phone: 1.866.727.8376   1.949.261.1920</p>  | <p>INTERPRET ALL DIMENSIONS AND TOLERANCES PER ASME Y14.5</p> <p>SCALE: NONE</p> <p>SHEET: 1 OF 1</p> |
|   | <p>DESCRIPTION:<br/>RFID ANTENNA 902-928MHz, RHCP, 10 dBi, White PVC, RP SMA Male, 18x6 in</p>        |
| <p>UNLESS OTHERWISE SPECIFIED, LEADING DIMENSIONS ARE IN INCHES DIMENSIONS IN [ ] ARE MILLIMETERS</p> <p>TOLERANCES:<br/>X = +.2 [5] FRACTIONS<br/>XX = +.02 [5] +.132<br/>XXX = ±.005 [.13] ANGLES ± 1°</p> <p>CABLE LENGTH TOLERANCES:<br/>&gt;12 [305] = +1 [25] / -0<br/>&gt;12 [305] ≤ 60 [1524] = +2 [51] / -0<br/>&gt;60 [1524] ≤ 120 [3048] = +4 [102] / -0<br/>&gt;120 [3048] ≤ 300 [7620] = +6 [152] / -0<br/>&gt;300 [7620] = +5% / -0</p> | <p>REV: A</p> <p>ITEM NO.: PEANFP1061</p>   |
| <p>ALL DIMENSIONS ARE FOR REFERENCE ONLY AND SUBJECT TO CHANGE WITHOUT NOTICE</p>   | <p>SIZE: A</p> <p>CAGE CODE: 53919</p> <p>DRAWN BY: PSRINIVAS</p>                                     |

NOTES:  
1. LABEL PER ILS-100-03 (FOR INTERNAL USE ONLY).  
LABEL LOCATION SHOWN IS FOR REFERENCE ONLY.

REGULATORY COMPLIANCE:  
EU ROHS DIRECTIVE (MOST RECENT RELEASED VERSION)  
THE INFORMATION CONTAINED IN THIS DRAWING IS THE SOLE PROPERTY OF INFINITE ELECTRONICS, INC. ANY REPRODUCTION IN PART OR WHOLE WITHOUT THE WRITTEN PERMISSION OF INFINITE ELECTRONICS, INC. IS PROHIBITED.  
THESE COMMODITIES, TECHNOLOGY OR SOFTWARE WERE EXPORTED FROM THE UNITED STATES IN ACCORDANCE WITH THE EXPORT ADMINISTRATION REGULATIONS. DIVERSION CONTRARY TO U.S. LAW PROHIBITED.

| REVISION |      | DATE            | CHANGED BY | APPROVED BY |             |
|----------|------|-----------------|------------|-------------|-------------|
| ZONE     | REV. | DESCRIPTION     | DATE       | CHANGED BY  | APPROVED BY |
|          | A    | INITIAL RELEASE | 02/01/2023 | PSRINIVAS   | KHIETPAS    |