



902 to 928 MHz RFID Flat Panel Antenna, RHCP,
 12 dBi, White ABS, N Female, IP54

Antennas Technical Data Sheet

PEANFP1034

Features

- High Performance Multi-tag read/write Capabilities
- Concealable Design
- Right Hand Circular Polarized
- 902 to 928 MHz Frequency Range
- Type N Female Connector
- IP54 Rated

Applications

- Radio Frequency Identification
- Inventory Management
- Access Control
- Data Collection
- Asset Tracking
- Livestock Management

Description

Pasternack's PEANFP1034 is a RHCP RFID flat panel antenna. The PEANFP1034 with a 12 dBi gain nominal is a Directional antenna. Our 902 to 928 MHz antenna has N Female connector and is IP54 Rated.

With an impedance of 50 Ohms and max input power of 50 Watts, the PEANFP1034 flat panel RHCP antenna is well suited for Radio Frequency Identification tag reading applications. This 902-928 MHz 12 dBi gain RFID antenna is highly directional providing the reader radio the capabilities of simultaneously reading a multitude of RFID tags with a high degree of accuracy.

Pasternack's RFID PEANFP1034 has a radome made of ABS in White color and comes from a facility certified to ISO 9001:2015. This N Female connectized Antenna has an overall length of 17.5 in, width of 17.5 in, and weighs 0.85 lbs. Use our on-line ordering system to purchase your PEANFP1034 RFID Directional RHCP antenna 24 hours a day with same-day shipping and no MOQs (minimum order quantities).

Configuration

Design	Flat Panel
Application Band	RFID
Band Type	Single
Radiation Pattern	Directional
Polarization	RHCP
Connector Type	N Female
Lightning Protection	Direct Ground

Electrical Specifications

Description	Minimum	Typical	Maximum	Units
Frequency Range	902		928	MHz
Input VSWR			1.3:1	
Impedance		50		Ohms
Gain		12		dBi
Horizontal (Azimuth) Beam Width		40		Degrees
Vertical (Elevation) Beam Width		40		Degrees
Input Power			50	Watts
Axial Ratio		3		dB

Click the following link (or enter part number in "SEARCH" on website) to obtain additional part information including price, inventory and certifications: [902 to 928 MHz RFID Flat Panel Antenna, RHCP, 12 dBi, White ABS, N Female, IP54 PEANFP1034](#)



902 to 928 MHz RFID Flat Panel Antenna, RHCP,
12 dBi, White ABS, N Female, IP54

Antennas Technical Data Sheet

PEANFP1034

Mechanical Specifications

Radome Material	ABS
Size	
Overall Length	17.5 in [444.5 mm]
Width	17.5 in [444.5 mm]
Height	1.5 in [38.1 mm]
Weight	0.85 lbs [385.55 g]

Environmental Specifications

Temperature	
Operating Range	-40 to +55 deg C
Ingress Protection	IP54

Compliance Certifications (see [product page](#) for current document)

Plotted and Other Data

Notes:

902 to 928 MHz RFID Flat Panel Antenna, RHCP, 12 dBi, White ABS, N Female, IP54 from Pasternack Enterprises has same day shipment for domestic and International orders. Our RF, microwave and millimeter wave products maintain a 99.4% availability and are part of the broadest selection in the industry.

Click the following link (or enter part number in "SEARCH" on website) to obtain additional part information including price, inventory and certifications: [902 to 928 MHz RFID Flat Panel Antenna, RHCP, 12 dBi, White ABS, N Female, IP54 PEANFP1034](#)

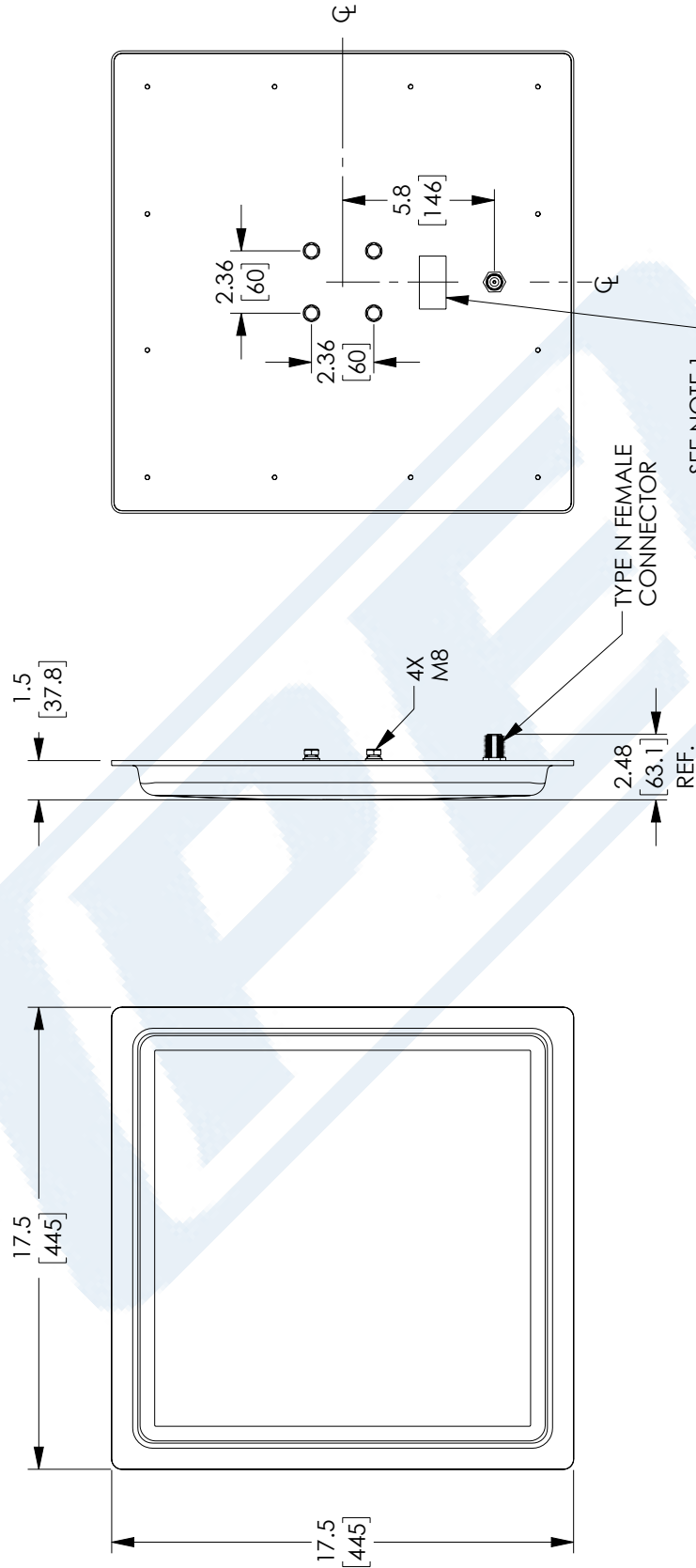
URL: <https://www.pasternack.com/12-dbi-flat-panel-antenna-902-928-mhz-n-type-female-connector-peanfp1034-p.aspx>

The information contained in this document is accurate to the best of our knowledge and representative of the part described herein. It may be necessary to make modifications to the part and/or the documentation of the part, in order to implement improvements. Pasternack reserves the right to make such changes as required. Unless otherwise stated, all specifications are nominal. Pasternack does not make any representation or warranty regarding the suitability of the part described herein for any particular purpose, and Pasternack does not assume any liability arising out of the use of any part or documentation.

PEANFP1034 CAD Drawing

902 to 928 MHz RFID Flat Panel Antenna, RHCP, 12 dBi, White ABS, N Female, IP54

REVISIONS			
REV.	DESCRIPTION	DATE	APPROVED
A	INITIAL RELEASE	07/26/2022	KHIETPAS



PE PASTERNAK
an INFINITI[®] brand

Pasternack Enterprises, Inc.
P. O. Box 16759, Irvine, CA 92623.
Phone: 1.949.261.1920 | 1.866.727.8376
Fax: 1.949.261.7451
Website: www.pasternack.com
E-mail: sales@pasternack.com

THIRD-ANGLE PROJECTION

THE INFORMATION AND DESIGN IN THIS DOCUMENT IS THE PROPERTY OF PASTERNAK CORPORATION. ALL RIGHTS RESERVED.

SHEET 1 OF 1

SCALE N/A

UNLESS OTHERWISE SPECIFIED LEADING DIMENSIONS ARE INCHES DIMENSIONS IN [] ARE MILLIMETERS

TOLERANCES:

.X = ±.2	[5.08]	FRACTIONS
.XX = ±.02	[.51]	±.132
.XXX = ±.005	[.13]	ANGLES ± 1°

CABLE LENGTH (L) TOLERANCES:

L ≤ 12 [305]	= +1 [25] / -0
12 [305] < L ≤ 60 [1524]	= +2 [51] / -0
60 [1524] < L ≤ 120 [3048]	= +4 [102] / -0
120 [3048] < L ≤ 300 [7620]	= +6 [152] / -0
300 [7620] < L	= +5%L / -0

ALL DIMENSIONS SHOWN ARE FOR REFERENCE ONLY.

NOTES:

1. LABEL PER ILS-100-03 (FOR INTERNAL USE ONLY)
LABEL LOCATION SHOWN FOR REFERENCE ONLY

THESE COMMODITIES, TECHNOLOGY OR SOFTWARE WERE EXPORTED FROM THE UNITED STATES IN ACCORDANCE WITH THE EXPORT ADMINISTRATION REGULATIONS. DIVERSION CONTRARY TO U.S. LAW PROHIBITED.