

Datasheet

NFC Tag

FPC / Embedded

Features:

- Thin, semi-flexible structure
- Easily assembles to device covers or mechanics
- Well-known antenna concept, reliable technology

Applications:

- Mobile devices
- IoT devices
- Home automation devices
- Sharing / pairing



ST0812-00-N01-A

15 x 19 x 0.35mm

NFC Antenna

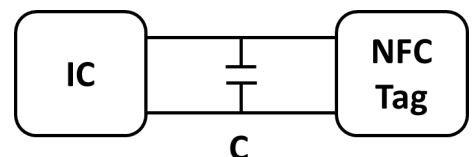


Electrical Specifications

Antenna Characteristics (Contains Ferrite)

Frequency (MHz)*	13~15.5
Inductance (μH)**	2.37
Resistance (Ω)**	1.38
Self Resonance Frequency (MHz)**	24.35
Q-Factor**	22.1
Ferrite Permeability (μ')	150

* With matching network.
 ** Bare coil without any matching network.
 C : Need to adjust with IC capacitance.



Mechanical Specifications

Environmental

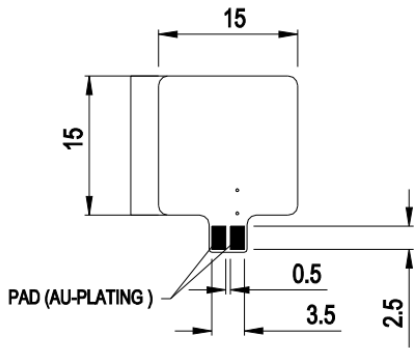
Temperature Range (°C)	-40 to 85
Humidity	Non-condensing 65°C 95% RH

RoHS Compliant

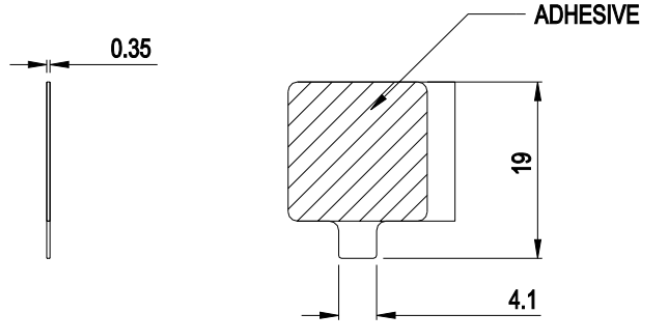
Part Number	Dimension (mm)	Weight (g)	Material	Adhesive
ST0812-00-N01-A	15 x 19 x 0.35	1.4	PI + Ferrite	3M 467

Mechanical Drawing

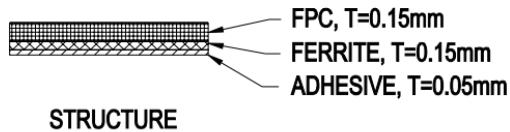
Unit : mm



TOP VIEW



BOTTOM VIEW



STRUCTURE

ST0812-00-N01-A

Revisions

Rev	Description	Date	ECN	Approval
A	Initial Release	2022-10-25	ST0812-00-N01-A -RA00	ATC

NOTICE - These drawings, specifications, or other data (1) are, and remain the property of Amphenol corp. (2) must be returned upon request; and (3) are confidential and not to be disclosed to any person other than those to whom they are given by Amphenol Corp. the furnishing of these drawings, specifications, or other data by Amphenol Corp., or to any other person to anyone for any purpose is not to be regarded by implication or otherwise in any manner licensing, granting rights to permitting such holder or any other person to manufacture, use or sell any product, process or design, patented or otherwise, that may in any way be related to or disclosed by said drawings, specifications, or other data.