

# Customer Information Sheet

DRAWING No.: S7271-45R

IF IN DOUBT - ASK

©

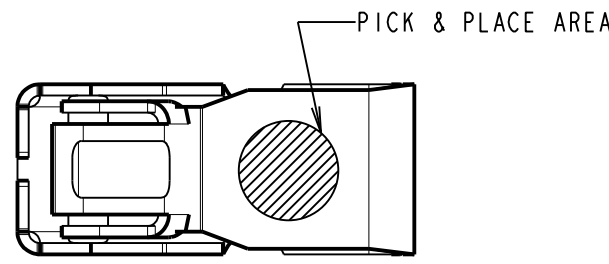
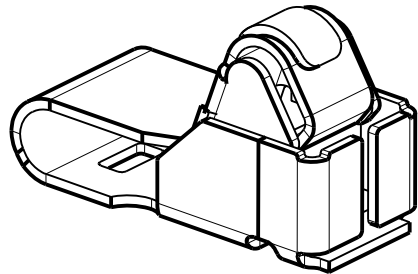
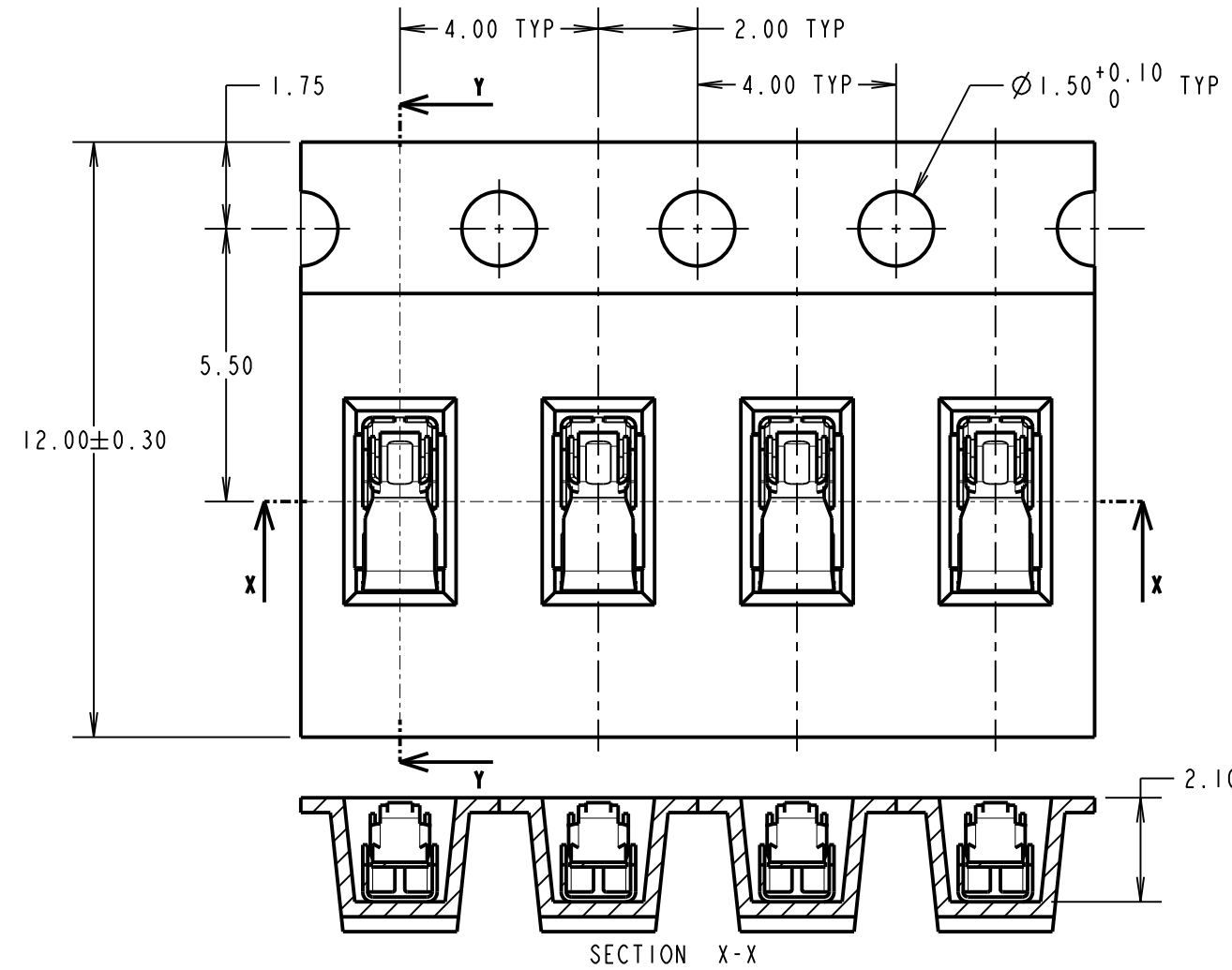
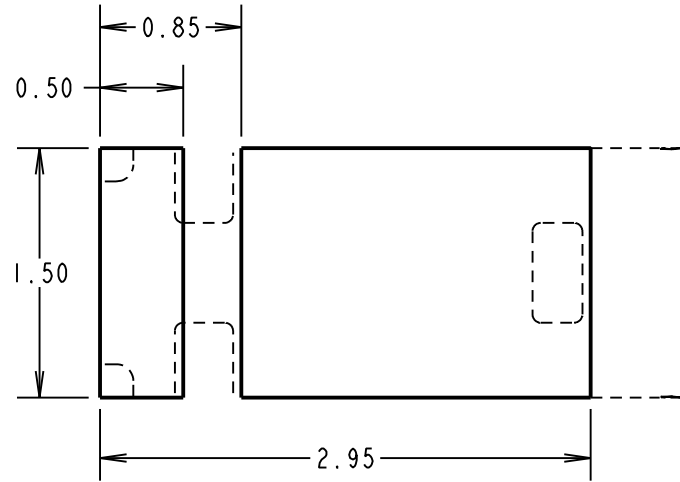
NOT TO SCALE

THIRD ANGLE PROJECTION

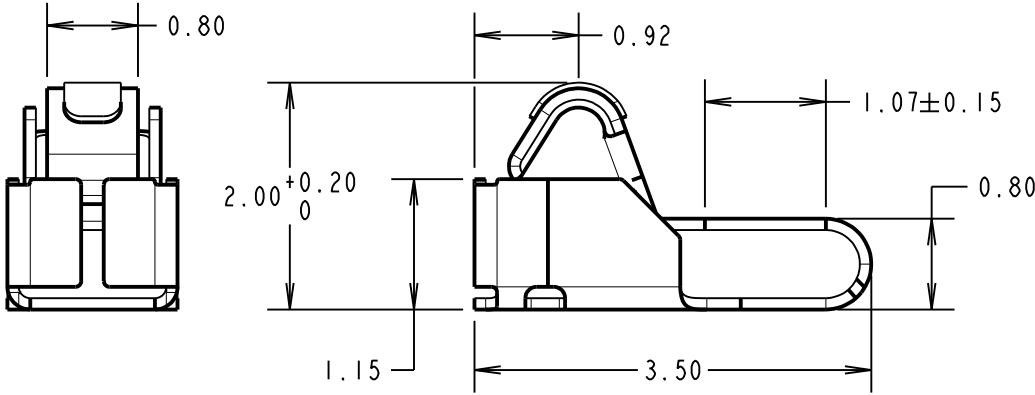
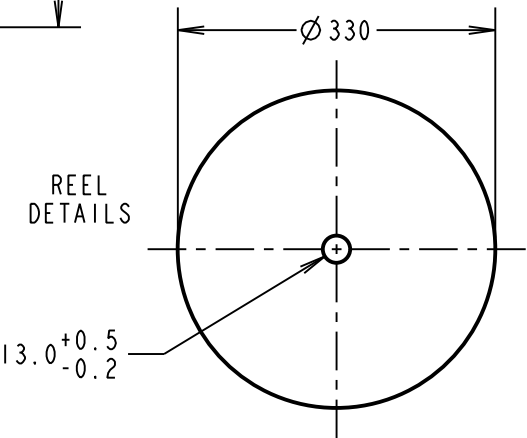
ALL DIMENSIONS IN mm

**NOTES:**

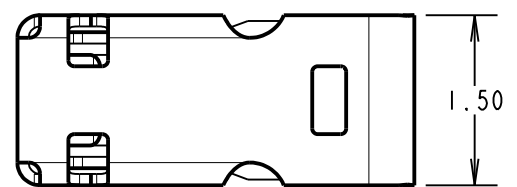
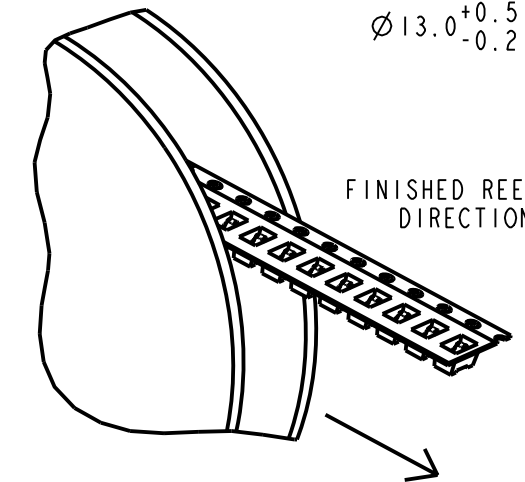
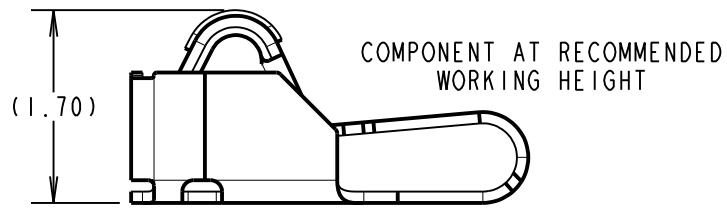
1. QUANTITY PER REEL = 7,000.
2. THIS PRODUCT IS TAPED AND REELED IN GENERAL ACCORDANCE WITH EIA-481-2 (ELECTRONICS INDUSTRIES ASSOCIATION).



**SPECIFICATION:**  
 MATERIAL = TITANIUM COPPER ALLOY, 0.08mm THICK  
 FINISH = 1.5µm-3.5µm NICKEL ALL OVER. 0.1µm GOLD ON TOP  
 CONTACT AREA AND GOLD FLASH ON BASE  
**ELECTRICAL:**  
 CONTACT RESISTANCE = 50mΩ MAX  
 CURRENT RATING = 1A  
**MECHANICAL:**  
 DURABILITY = 10,000 CYCLES  
 RECOMMENDED WORKING HEIGHT = 1.70mm / MIN FORCE = 0.39N  
 RECOMMENDED MINIMUM WORKING HEIGHT = 1.40mm  
**ENVIRONMENTAL:**  
 OPERATING TEMPERATURE = -40°C TO +85°C



COMPONENT DETAILS



MGP	3	10.04.20	21839
NAME	ISS.	DATE	C/NOTE
APPROVED: MGP			
CHECKED: RA			
DRAWN: S.BENNETT			
CUSTOMER REF.:			
ASSEMBLY DRG:			

<p>www.harwin.com technical@harwin.com</p>	<p>THIS DRAWING AND ANY INFORMATION OR DESCRIPTIVE MATTER SET OUT HEREON ARE CONFIDENTIAL AND COPYRIGHT PROPERTY OF THE HARWIN GROUP AND MUST NOT BE DISCLOSED, LOANED, COPIED OR USED FOR MANUFACTURING, TENDERING OR FOR ANY OTHER PURPOSE WITHOUT THEIR WRITTEN PERMISSION.</p>	<p>TOLERANCES</p> <p>X. = ±1mm                  X.X = ±0.50mm                  X.XX = ±0.20mm                  X.XXX = ±0.01mm</p> <p>ANGLES = ±5°                  UNLESS STATED</p>	<p>MATERIAL:</p> <p>SEE ABOVE</p>	<p>TITLE: SMT SPRING CONTACT (1.50mm HIGH) IN TAPE AND REEL</p>
			<p>FINISH: SEE ABOVE</p>	
			<p>S/AREA: mm<sup>2</sup></p>	<p>SHT 2 OF 2</p>