



Kemtron | Kemtron 1202 Series

TE Internal #: 2420738-1

Extruded EMI Gasket, Conductive Strip, Silicone Binding, Nickel Plated Graphite (Ni/C) Filler, Tube, 1 m [3.28 ft] Long, Kemtron 1202 Series

[View on TE.com >](#)

EMI & EMC Solutions > EMI Shielding > EMI Gaskets > Extruded EMI Gasket Conductive Strip



Gasket Type: **Extruded EMI Gasket**

Finished Type: **Conductive Strip**

Binding Material: **Silicone**

Filler Material: **Nickel Plated Graphite (Ni/C)**

Gasket Shape: **Tube**

[All Extruded EMI Gasket Conductive Strip \(56\)](#)

Features

Product Type Features

Finished Type	Conductive Strip
Binding Material	Silicone
Filler Material	Nickel Plated Graphite (Ni/C)

Electrical Characteristics

Resistance to Petroleum	No
Volume Resistivity (Max)	.05 Ω.cm

Body Features

Gasket Type	Extruded EMI Gasket
Gasket Shape	Tube

Dimensions

Product Length	1 m[3.28 ft]
Outside Diameter	1.6 mm[.062 in]



Inside Diameter	.5 mm[.019 in]
-----------------	----------------

Usage Conditions

Operating Temperature Range	-55 - 160 °C[-67 - 320 °F]
-----------------------------	----------------------------

Other

Reuse Limits	Reusable More Than 3 Times
--------------	----------------------------

Product Compliance

[For compliance documentation, visit the product page on TE.com>](#)

EU RoHS Directive 2011/65/EU	Compliant
EU ELV Directive 2000/53/EC	Compliant
China RoHS 2 Directive MIIT Order No 32, 2016	No Restricted Materials Above Threshold
EU REACH Regulation (EC) No. 1907/2006	Current ECHA Candidate List: JAN 2024 (240) Candidate List Declared Against: JAN 2023 (233) Does not contain REACH SVHC
Halogen Content	BFR/CFR/PVC Free, but Br/Cl >900 ppm in other sources.
Solder Process Capability	Not reviewed for solder process capability

Product Compliance Disclaimer

This information is provided based on reasonable inquiry of our suppliers and represents our current actual knowledge based on the information they provided. This information is subject to change. The part numbers that TE has identified as EU RoHS compliant have a maximum concentration of 0.1% by weight in homogenous materials for lead, hexavalent chromium, mercury, PBB, PBDE, DBP, BBP, DEHP, DIBP, and 0.01% for cadmium, or qualify for an exemption to these limits as defined in the Annexes of Directive 2011/65/EU (RoHS2). Finished electrical and electronic equipment products will be CE marked as required by Directive 2011/65/EU. Components may not be CE marked. Additionally, the part numbers that TE has identified as EU ELV compliant have a maximum concentration of 0.1% by weight in homogenous materials for lead, hexavalent chromium, and mercury, and 0.01% for cadmium, or qualify for an exemption to these limits as defined in the Annexes of Directive 2000/53/EC (ELV). Regarding the REACH Regulation, the information TE provides on SVHC in articles for this part number is based on the latest European Chemicals Agency (ECHA) 'Guidance on requirements for substances in articles' posted at this URL: <https://echa.europa.eu/guidance-documents/guidance-on-reach>

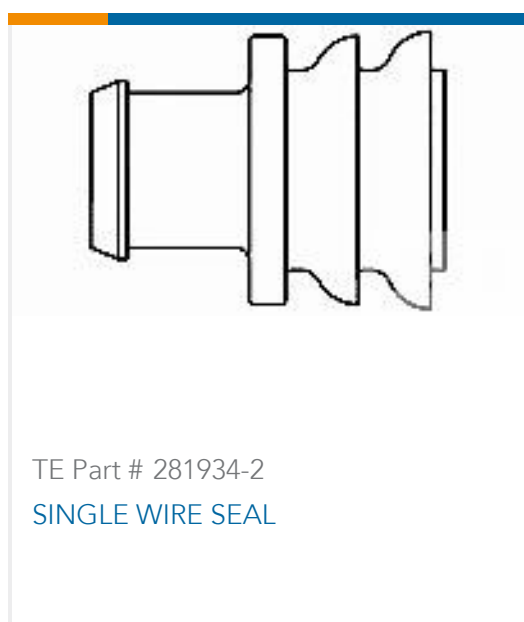
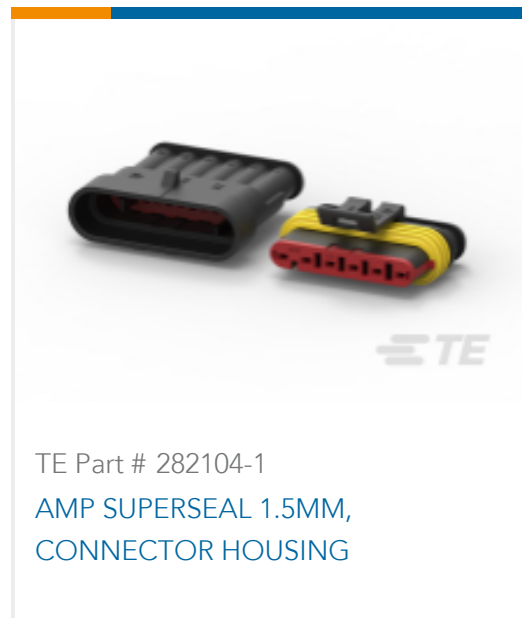
Compatible Parts



Also in the Series | [Kemtron 1202 Series](#)



Customers Also Bought



Documents

Product Drawings

[SNG Tube 1.6mm OD x 0.5mm ID x 1m L](#)

English

Datasheets & Catalog Pages

[Performance Materials brochure](#)

English



Datasheet - Conductive Elastomers

English

Product Specifications

Application Specification

English