

High Power 100 Watt RF Load Up to 8 GHz with N Female Conduction Cooled Body Black Anodized Aluminum Heatsink

RF Terminations Technical Data Sheet

PE6222

Features

- DC to 8 GHz Frequency Range
- VSWR 1.5:1 Max
- Max Power 100 Watt (CW)
- N Female Coaxial Interface

Applications

- Wireless
- Radar Systems
- Commercial and Military Communication
- SatCom
- Test and Measurement

Description

Pasternack's PE6222 is an RF termination (also called RF load or dummy load) that operates from DC to 8 GHz and handles up to 100 Watt (CW). Our N termination / load has a female gender. PE6222 N load termination offers 1.5:1 max VSWR. This Pasternack 100W N terminator has a heatsink body which is designed to provide adequate heat dissipation within its full frequency of operation.

RF load / terminations are indispensable components in many RF, microwave and millimeter wave systems where signal reflection from unused ports can potentially damage the device or reduce the signal integrity. By using a terminator on an unused port with a matched load (dummy load), the incident energy will be absorbed with minimal reflection. These termination components are commonly used to terminate devices such as couplers, circulators, and switches. They are also widely used in measurement systems to ensure accurate results. Pasternack offers a huge selection of RF, microwave and millimeter wave terminations up to 65 GHz with excellent performance over the entire operating range and power handling capabilities up to 800 Watt (CW).

Electrical Specifications

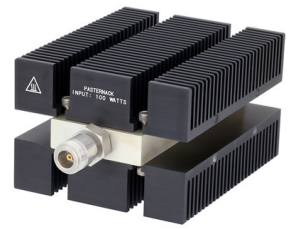
Description	Minimum	Typical	Maximum	Units
Frequency Range	DC		8	GHz
Impedance		50		Ohms
VSWR			1.5:1	
Input Power (CW)			100	Watts
Input Power (Peak) 5µs pulse width 0.1% DC			2	kWatts

Performance by Frequency

Description	F1	F2	F3	F4	F5	Units
Frequency Range	DC to 2	2 to 4	4 to 6	6 to 8		GHz
VSWR, Max	1.2:1	1.35:1	1.45:1	1.5:1		

Mechanical Specifications

Click the following link (or enter part number in "SEARCH" on website) to obtain additional part information including price, inventory and certifications: [High Power 100 Watt RF Load Up to 8 GHz with N Female Conduction Cooled Body Black Anodized Aluminum Heatsink PE6222](#)



High Power 100 Watt RF Load Up to 8 GHz with N Female
Conduction Cooled Body Black Anodized Aluminum Heatsink

RF Terminations Technical Data Sheet

PE6222

Weight 2.6 lbs [1.18 kg]

Finish Black

Configuration

Connector N Female
Connector Specification MIL-STD-348

Material Specifications

Description	Material	Plating
Connector 1 Contact	Beryllium Copper	Gold
Insulation	PTFE	
Outer Conductor	Passivated Stainless Steel	
Body	Passivated Stainless Steel	
Housing	Black Anodized Aluminum Heatsink	

Environmental Specifications

Temperature

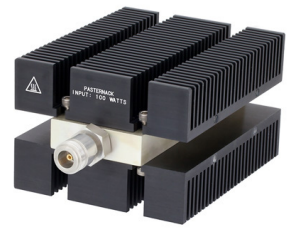
Operating Range -55 to +125 deg C

Compliance Certifications (see [product page](#) for current document)

Plotted and Other Data

Notes:

Click the following link (or enter part number in "SEARCH" on website) to obtain additional part information including price, inventory and certifications: [High Power 100 Watt RF Load Up to 8 GHz with N Female Conduction Cooled Body Black Anodized Aluminum Heatsink PE6222](#)



High Power 100 Watt RF Load Up to 8 GHz with N Female Conduction Cooled Body Black Anodized Aluminum Heatsink

RF Terminations Technical Data Sheet

PE6222

High Power 100 Watt RF Load Up to 8 GHz with N Female Conduction Cooled Body Black Anodized Aluminum Heatsink from Pasternack Enterprises has same day shipment for domestic and International orders. Our RF, microwave and millimeter wave products maintain a 99.4% availability and are part of the broadest selection in the industry.

Click the following link (or enter part number in "SEARCH" on website) to obtain additional part information including price, inventory and certifications: [High Power 100 Watt RF Load Up to 8 GHz with N Female Conduction Cooled Body Black Anodized Aluminum Heatsink PE6222](#)

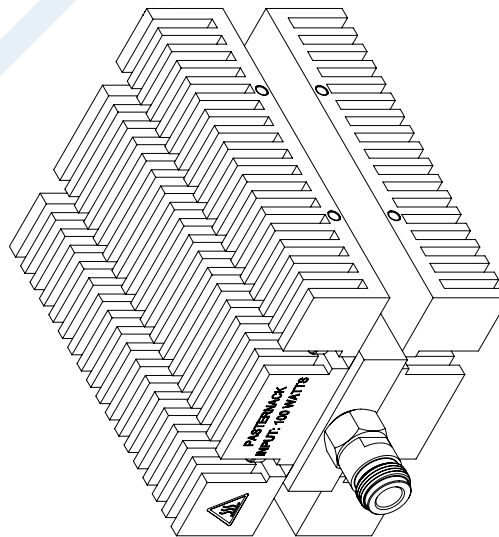
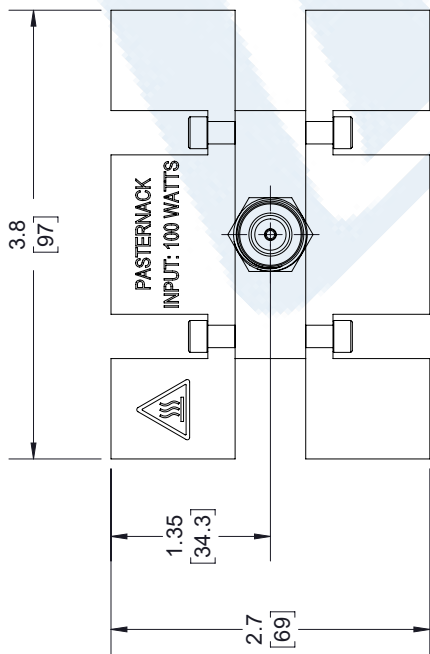
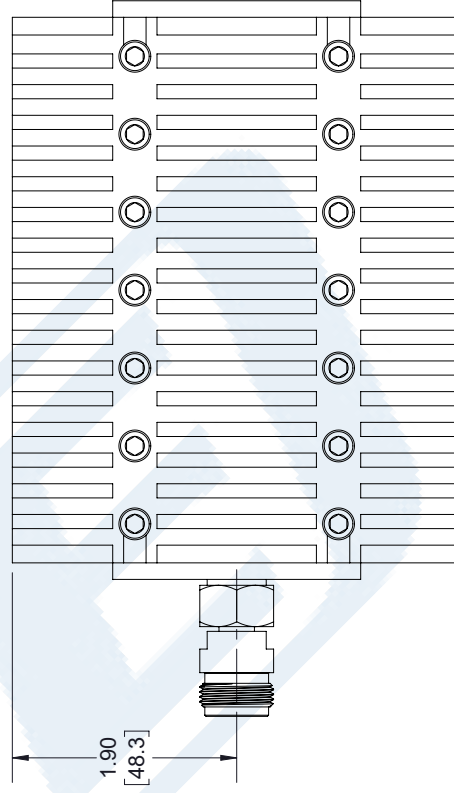
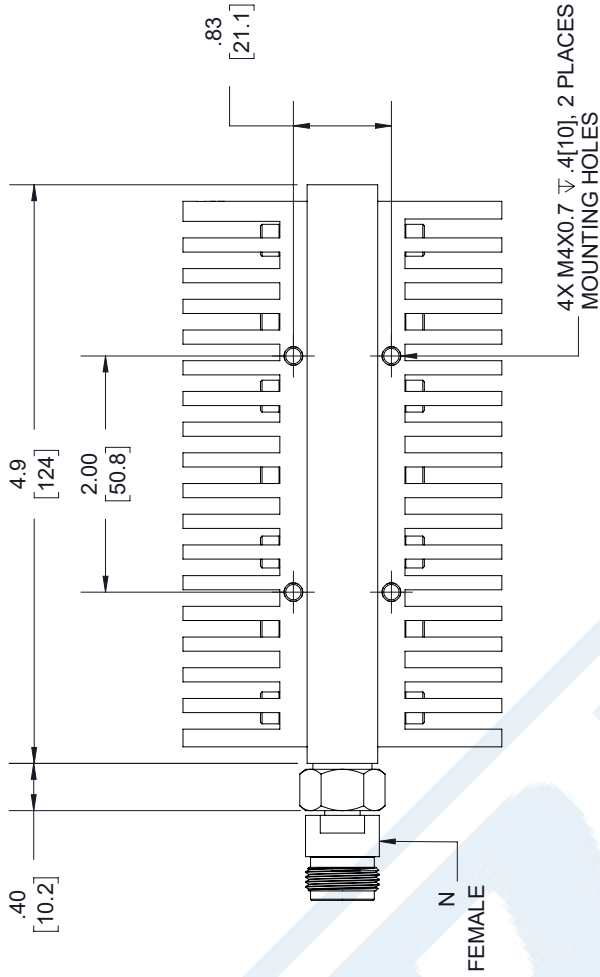
URL: <https://www.pasternack.com/100-watts-n-female-rf-load-up-to-8-ghz-pe6222-p.aspx>

The information contained in this document is accurate to the best of our knowledge and representative of the part described herein. It may be necessary to make modifications to the part and/or the documentation of the part, in order to implement improvements. Pasternack reserves the right to make such changes as required. Unless otherwise stated, all specifications are nominal. Pasternack does not make any representation or warranty regarding the suitability of the part described herein for any particular purpose, and Pasternack does not assume any liability arising out of the use of any part or documentation.

PE6222 CAD Drawing

High Power 100 Watt RF Load Up to 8 GHz with N Female Conduction Cooled Body Black Anodized Aluminum Heatsink

REVISIONS			
REV.	DESCRIPTION	DATE	APPROVED
A	INITIAL RELEASE	01/18/19	S.PONG



UNLESS OTHERWISE SPECIFIED LEADING DIMENSIONS ARE INCHES DIMENSIONS IN [] ARE MILLIMETERS

TOLERANCES: X \pm 2 [5.08] FRACTIONS XX \pm .01 [.25] \pm .132 .XXX \pm .005 [.13] ANGLES \pm 1° ALL DIMENSIONS SHOWN ARE FOR REFERENCE ONLY. THIRD-ANGLE PROJECTION

THE INFORMATION AND DESIGN IN THIS DOCUMENT IS THE PROPERTY OF PASTERNAK CORPORATION. ALL RIGHTS RESERVED.

PE PASTERNAK an INFINITO brand
 Pasternack Enterprises, Inc.
 P.O. Box 16759, Irvine, CA 92623.
 Phone: 1.949.261.1920 | 1.866.727.8376
 Fax: 1.949.261.7451
 www.pasternack.com | e-mail: sales@pasternack.com

SHEET 1 OF 1
 SCALE N/A

SIZE A CAGE 53919 DRAWN BY KDANG PART NUMBER PE6222 REV A

LABEL: PASTERNAK PE6222 D/C: XXYY

THESE COMMODITIES, TECHNOLOGY OR SOFTWARE WERE EXPORTED FROM THE UNITED STATES IN ACCORDANCE WITH THE EXPORT ADMINISTRATION REGULATIONS. DIVERSION CONTRARY TO U.S. LAW PROHIBITED.