

1 2 3 4 5 6 7 8

F

F

E

E

D

D

C

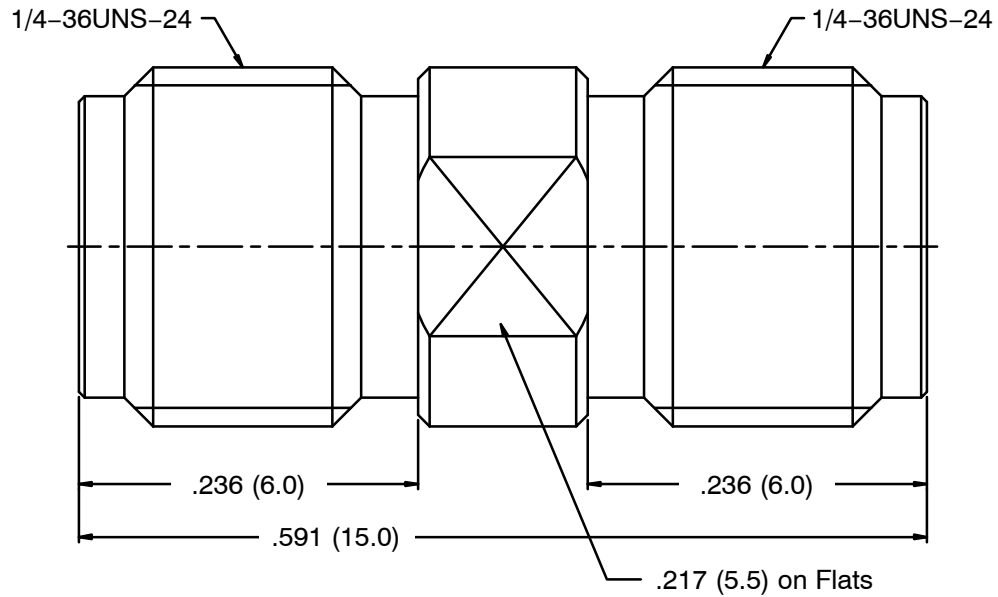
C

B

B

A

A



NOTES: Finish (Plating Thickness in Micro-inches)  
 1. Brass  
 2. Thin Gold over Nickel Pl. 50 Min. Thick over Copper Pl. 50 Min. Thick  
 3. Beryllium Copper  
 4. Gold Pl. 3 Min Thick over Nickel Pl. 50 Min. Thick over Copper Pl. 50 Min. Thick  
 5. Teflon

RoHS Compliant

Dimensions are in Inches				Part No.		<b>NTE Electronics</b>			
Unless Otherwise Specified Tolerances				Approved				Title	
0.5-6 = ±0.2				Date		SMA Jack to Jack Adapter			
6-30 = ±0.4				Date		Drawing No.			
30-120 = ±0.6				Date		06-S014			
120-315 = ±1				Date		File No.			
315-1000 = ±1.6				Date					
1000-2000 = ±2.4				Date					
No.	Description	Material	Finish	Q'ty	Drawing No.	Scale	8/1	Issue	A

1 2 3 4 5 6 7 8