

Compact Handheld Remote Control Transmitter



The Compact Handheld transmitter is ideal for general-purpose remote control and command applications requiring a small form factor transmitter. The small handheld transmitter has a line of sight range of up to 750 feet (230m). As a part of our DS Series OEM family, it is available in 315, 418 (standard), or 433.92MHz. It has been pre-certified for FCC Part 15, Industry Canada, and European CE (433MHz only) compliance, reducing costs and time to market.

Addressing: A DIP switch is used to set 10 address lines, giving 1,022 unique addresses. The address lines should be set the same on the receiver to enable communication. This helps prevent accidental activation by another system, but does not provide a high degree of security. This makes it suitable for applications that benefit from the simplicity of DIP switch addressing and don't require a large number of unique addresses.

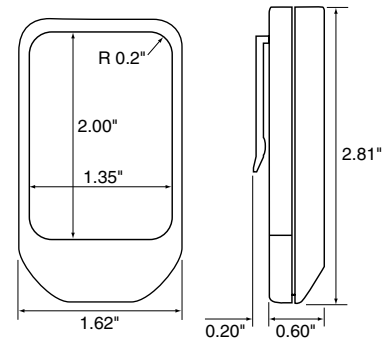
Protocol: The DS Series encoder inside the Compact Handheld transmitter supports two protocols. The first protocol is based on the Holtek HT640 encoder. It is completely backwards compatible with older generation Linx transmitters and receiver systems based on the HT658 decoder that were designed to operate with the Linx transmitters. The second is a serial protocol that offers more noise immunity and faster response time while keeping the simple DIP switch addressing.

Tactile Buttons: The membrane switch uses metal snap domes for a sharp click and tactile response.

Pre-certified: All units have FCC and Industry Canada certifications, the 433MHz version also has European CE certification.

Accessories: Optional accessories include retractor reel, lanyard and a rubber boot to protect the transmitter from damage.

Customization: The membrane switch can be customized to suite a particular application. This includes rearranging the buttons, different numbers of buttons (up to 8) and custom artwork. Logos or artwork can also be applied to the case. NREs and minimum orders apply.



Specifications	
Operating Voltage	2.1 to 3.6VDC
TX Supply Current	3.4mA
Frequency	
CMD-HHCP-315	315MHz
CMD-HHCP-418	418MHz
CMD-HHCP-433	433.92MHz
Power Down current	5nA
Operating Temperature Range	-40 to +85°C

Applications

- General remote control
- Keyless entry
- Garage / gate openers
- Lighting control
- Call systems
- Home / industrial automation

