

# ZARB11WSP

Base station, Harmony pocket remote, 11 relays outputs, pre-wired, 1.5m cable, 12...24V DC



## Main

|                           |                       |
|---------------------------|-----------------------|
| Range of Product          | Harmony Pocket Remote |
| Product or Component Type | Base station          |
| Device short name         | ZARB                  |

## Complementary

|                                 |  |
|---------------------------------|--|
| Cable entry                     | Cable pre-wired  |
| Material                        | ABS + PC   |
| [Us] rated supply voltage       | 12...24 V DC   |
| Provided Equipment              | Internal antenna   |
| Number of relays                | 11   |
| Relay type                      | Motion relay outputs 11 C/O<br>Auxiliary relay outputs                                 |
| Maximum switching current       | 10 A   |
| Maximum switching voltage       | 240 V AC +/- 20 %)   |
| Communication network type      | Wireless   |
| Maximum power consumption in VA | 12 VA DC at 30 mA (maximum) active relays<br>24 VA DC at 20 mA (maximum) active relays |
| Transmission frequency          | 2.4 GHz  |
| Maximum sensing distance        | 984.25 ft (300 m) in free field  |
| Fixing Mode                     | 4 holes  |
| Electrical durability           | 100000 cycles  |
| Mechanical durability           | 10000000 cycles  |
| Width                           | 4.72 in (120 mm)   |
| Height                          | 4.61 in (117 mm)   |
| Depth                           | 2.01 in (51 mm)  |
| Net Weight                      | 0.88 lb(US) (0.40 kg)  |

## Environment

|                                       |                            |
|---------------------------------------|----------------------------|
| IP degree of protection               | IP66                       |
| Radio agreement                       | FCC<br>IC                  |
| Relative humidity                     | 0...97 %                   |
| Ambient air temperature for operation | -4...131 °F (-20...55 °C)  |
| Ambient Air Temperature for Storage   | -40...158 °F (-40...70 °C) |
| Product Certifications                | CE                         |

## Ordering and shipping details

|                   |               |
|-------------------|---------------|
| Category          | US10CS222467  |
| Discount Schedule | 0CS2          |
| GTIN              | 3606481499424 |
| Returnability     | No            |
| Country of origin | CN            |

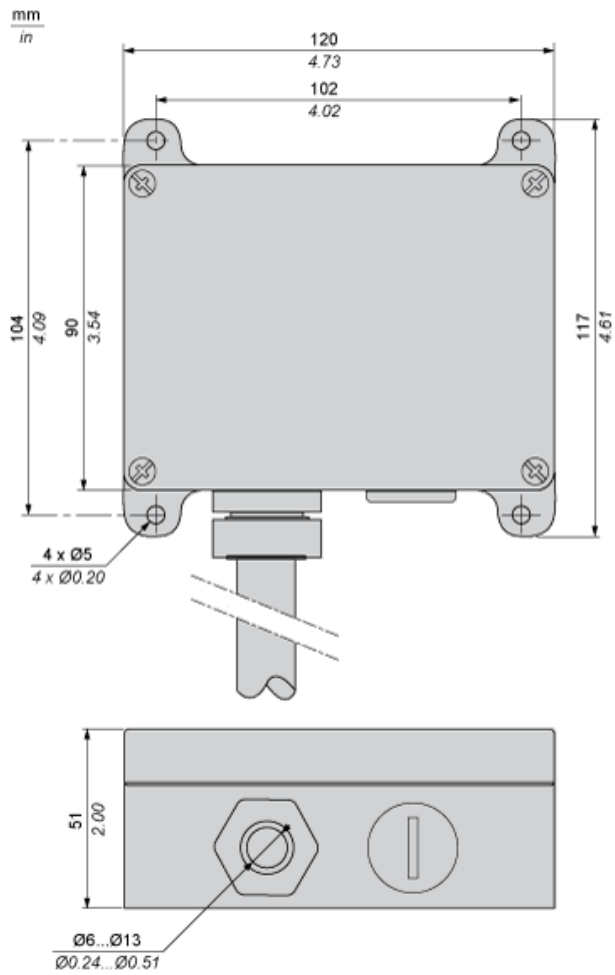
## Packing Units

|                              |                         |
|------------------------------|-------------------------|
| Unit Type of Package 1       | PCE                     |
| Number of Units in Package 1 | 1                       |
| Package 1 Height             | 2.95 in (7.500 cm)      |
| Package 1 Width              | 7.48 in (19.000 cm)     |
| Package 1 Length             | 8.86 in (22.500 cm)     |
| Package 1 Weight             | 35.10 oz (995.000 g)    |
| Unit Type of Package 2       | S03                     |
| Number of Units in Package 2 | 7                       |
| Package 2 Height             | 11.81 in (30.000 cm)    |
| Package 2 Width              | 11.81 in (30.000 cm)    |
| Package 2 Length             | 15.75 in (40.000 cm)    |
| Package 2 Weight             | 16.48 lb(US) (7.477 kg) |

## Offer Sustainability

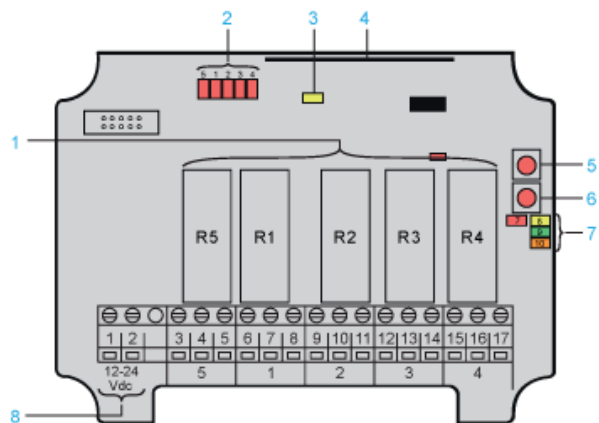
|                            |  |
|----------------------------|--|
| California proposition 65  | WARNING: This product can expose you to chemicals including: Nickel compounds, which is known to the State of California to cause cancer, and Di-isodecyl phthalate (DIDP), which is known to the State of California to cause birth defects or other reproductive harm. For more information go to <a href="http://www.P65Warnings.ca.gov">www.P65Warnings.ca.gov</a> |
| EU RoHS Directive          | Pro-active compliance (Product out of EU RoHS legal scope)   |
| Mercury free               | Yes  |
| China RoHS Regulation      |  <a href="#">China RoHS Declaration</a>   |
| RoHS exemption information |  <a href="#">Yes</a>  |
| WEEE                       | The product must be disposed on European Union markets following specific waste collection and never end up in rubbish bins.   |

Receiver Dimensions

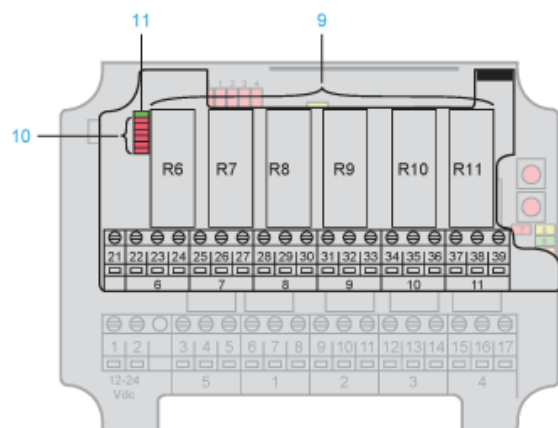


Receiver Wiring

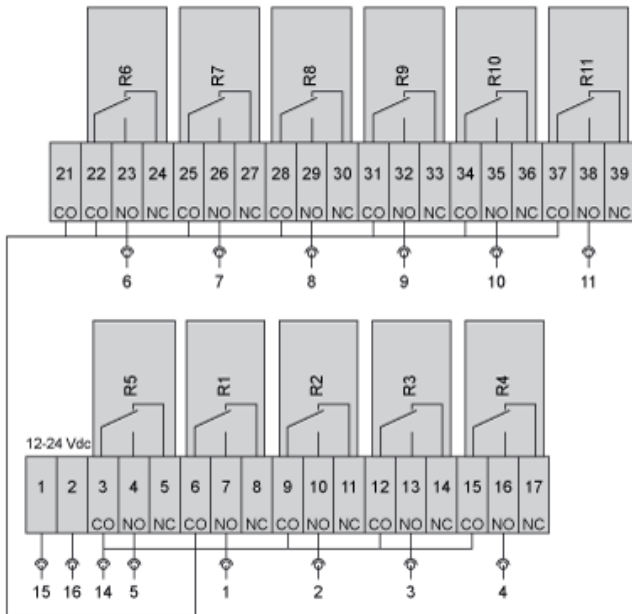
Bottom layer



Top layer



| Part | Description   |
|------|---|
| 1    | Relays R1...R5  |
| 2    | Relays LEDs (red)   |
| 3    | Power LED (yellow)  |
| 4    | Radio module  |
| 5    | Function button (cancel)                                    |
| 6    | Select button (OK)  |
| 7    | Function LEDs (7 = red, 8 = yellow, 9 = green, 10 = orange) |
| 8    | Terminal block for input power                              |
| 9    | Relays R6...R11   |
| 10   | Relays LEDs (red)   |
| 11   | Communication LED (green)                                   |



| Signal           | Cable no. |    |
|------------------|-----------|----|
| Power supply / + | 15        |    |
| Power supply / - | 16        |    |
| Relay R5         | Common    | 14 |
| Output (NO type) | 5         |    |
| Output (NC type) | -         |    |
| Relay R1         | Common    | -  |
| Output (NO type) | 1         |    |
| Output (NC type) | -         |    |
| Relay R2         | Common    | -  |
| Output (NO type) | 2         |    |
| Output (NC type) | -         |    |
| Relay R3         | Common    | -  |
| Output (NO type) | 3         |    |
| Output (NC type) | -         |    |
| Relay R4         | Common    | -  |
| Output (NO type) | 4         |    |
| Output (NC type) | -         |    |
| Relay R6         | Common    | -  |
| Output (NO type) | 6         |    |
| Output (NC type) | -         |    |
| Relay R7         | Common    | -  |
| Output (NO type) | 7         |    |
| Output (NC type) | -         |    |
| Relay R8         | Common    | -  |
| Output (NO type) | 8         |    |
| Output (NC type) | -         |    |
| Relay R9         | Common    | -  |
| Output (NO type) | 9         |    |
| Output (NC type) | -         |    |
| Relay R10        | Common    | -  |
| Output (NO type) | 10        |    |

| Signal           |        | Cable no. |
|------------------|--------|-----------|
| Output (NC type) | -      |           |
| Relay R11        | Common | -         |
| Output (NO type) | 11     |           |
| Output (NC type) | -      |           |