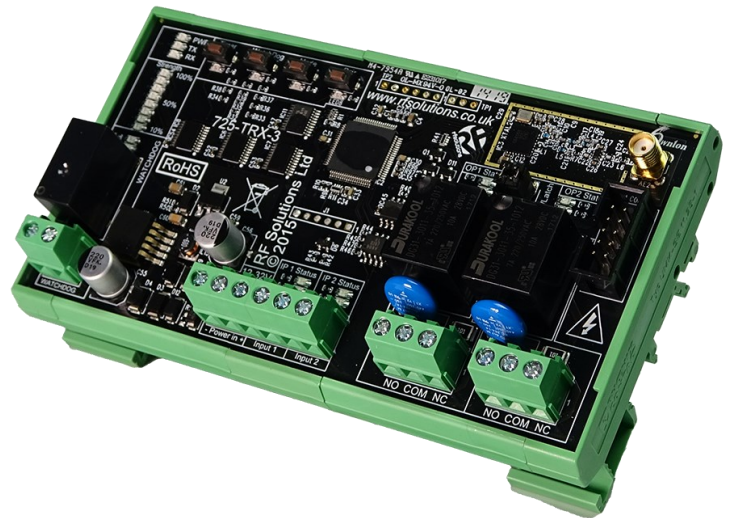




## 20Km LoRa Radio Telemetry Modules

### Features

- FM & LoRa Spread Spectrum
- FM up to 1Km line of sight
- LORA up to 20Km line of sight
- 2 x Closed Contact Inputs
- 2 x Relay Switch Outputs
- Add-on Input/ Output channels
- Expandable to 16 I/P's / 32 O/P's
- All Signals 'Acknowledged'
- Independent Watchdog Feature
- Walk / Range test Mode
- 12-32V ac or dc Supply
- LED Bar graph Signal indicator
- Mom, Latched or Timed Outputs
- Antenna Supplied
- Easy Installation
- 868MHz Version CE compliant
- 918MHz FCC pending



### Intended Use

- Industrial Telemetry
- Remote Monitoring & Control
- Reliable Remote Switch

The 725TRX telemetry system provides, transceiver, remote Telemetry System. Each module has two switch inputs and two relay changeover contact outputs. When two or more modules are paired together the relay outputs will follow the state changes of the other modules' inputs. The 725TRX can also be used with any RF Solutions Transmitter Handset operating on the same frequency

Additional input / output modules can be connected to provide extra inputs/outputs. The system inputs / outputs can be used in various ways and also with a hand held keyfob or alternative handset.

All signals are acknowledged and a watchdog feature provides a system "Alive" indication. This is automatic, allowing the user to simply connect to the screw terminals and achieve a reliable telemetry link.

## Safety Information



Carefully read the following safety information before proceeding with installation, operation, or maintenance of RF Solutions product. Failure to follow these warnings could result in death or serious injury

- This radio system must not be used in areas where there is a risk of explosion.
- Only qualified personnel should be permitted to access the transmitter and operate the equipment.
- Always follow operating information as well as all applicable safety procedures and requirements.
- You must satisfy the age requirements in your country for operating the equipment.
- Store in a safe place.
- Keep a clear view of the work area at all time before using, check it is safe to do so

Before maintenance intervention on any remote controlled equipment

- Do not open the receiver enclosure unless you are qualified.
- Disconnect all electrical power from the equipment.
- Check the enclosure and cable for damage regularly, do not use if there is evidence of damage

## Electrical Safety



ISOLATE the mains electricity supply before removing the cover and observe any relevant safety information.

- Maintenance to the product that involves removal of the cover should only be carried out by a competent person or qualified electrician.
- Ensure adequate protection on the Load circuit
- Refer to Product Datasheet for MAX operating Load.
- Product must be installed in accordance with the local country electrical regulations.
- A current limiting supply must be used in accordance with the datasheet

## Information sur la sécurité



Lisez attentivement les informations de sécurité suivantes avant de procéder à l'installation, l'utilisation ou la maintenance du produit RF Solutions. Le non-respect de ces avertissements peut entraîner la mort ou des blessures graves

- Ce système radio ne doit pas être utilisé dans des zones présentant un risque d'explosion
- Seul le personnel qualifié doit être autorisé à accéder à l'émetteur et à utiliser l'équipement.
- Suivez toujours les instructions d'utilisation ainsi que toutes les procédures et exigences de sécurité applicables.
- Vous devez satisfaire aux exigences d'âge dans votre pays pour utiliser l'équipement
- Il est strictement interdit d'utiliser l'équipement sous l'influence de drogues, d'alcool et/ou de médicaments.
- Conserver dans un endroit sûr.
- Gardez une vue dégagée sur la zone de travail à tout moment

Avant intervention de maintenance sur tout équipement télécommandé

- N'ouvrez pas le boîtier du récepteur à moins d'être qualifié
- Coupez toujours l'alimentation électrique de l'équipement.
- Vérifiez régulièrement que le boîtier et le câble ne sont pas endommagés, ne les utilisez pas s'il y a des preuves de dommages

## Avertissements de sécurité



- ISOLER l'alimentation électrique avant de retirer le couvercle et observer toutes les précautions de sécurité pertinentes.
- L'entretien du produit qui implique le retrait du couvercle ne doit être effectué que par une personne compétente ou un électricien qualifié.
- La valeur nominale du fusible F2 est de 4A (T) 250 H (céramique). Remplacez le fusible par le même type et la même valeur nominale.
- La sortie relais est évaluée à 10A en crête et 5A en constante.
- Le produit doit être connecté à une alimentation à fusible ou à une prise de connexion appropriée répondant aux exigences du pays d'installation.

## Veiligheidsinformatie



Lees de volgende veiligheidsinformatie zorgvuldig door voordat u doorgaat met de installatie, bediening of het onderhoud van het RF Solutions-product. Het niet opvolgen van deze waarschuwingen kan de dood of ernstig letsel tot gevolg hebben

- Dit radiosysteem mag niet worden gebruikt in gebieden waar explosiegevaar bestaat.
- Alleen gekwalificeerd personeel mag toegang krijgen tot de zender en de apparatuur bedienen.
- Volg altijd de bedieningsinformatie en alle toepasselijke veiligheidsprocedures en -vereisten.
- U moet voldoen aan de leeftijdsvereisten in uw land voor het gebruik van de apparatuur.
- Bewaar op een veilige plaats.
- Houd te allen tijde een duidelijk zicht op het werkgebied voordat u het gebruikt, controleer of het veilig is om dit te doen

Vóór onderhoudsinterventie op op afstand bediende apparatuur

- Open de behuizing van de ontvanger niet tenzij u hiervoor gekwalificeerd bent.
- Koppel alle elektrische stroom van de apparatuur los.
- Controleer de behuizing en kabel regelmatig op beschadigingen, niet gebruiken als er tekenen van schade zijn

## Electrische veiligheid



ISOLEER de netvoeding voordat u het deksel verwijdert en neem alle relevante veiligheidsinformatie in acht.

- Onderhoud aan het product waarbij de afdekking moet worden verwijderd, mag alleen worden uitgevoerd door een competent persoon of een gekwalificeerde elektricien.
- Zorg voor voldoende bescherming op het belastingscircuit
- Raadpleeg het productgegevensblad voor de MAX bedrijfsbelasting.
- Het product moet worden geïnstalleerd in overeenstemming met de plaatselijke elektriciteitsvoorschriften van het land.
- Er moet een stroombegrenzende voeding worden gebruikt in overeenstemming met de datasheet

## Sicherheitsinformation



Lesen Sie die folgenden Sicherheitsinformationen sorgfältig durch, bevor Sie mit der Installation, dem Betrieb oder der Wartung des RF Solutions-Produkts fortfahren. Die Nichtbeachtung dieser Warnungen kann zum Tod oder zu schweren Verletzungen führen.

- Dieses Funksystem darf nicht in explosionsgefährdeten Bereichen eingesetzt werden.
- Nur qualifiziertem Personal sollte der Zugang zum Messumformer und die Bedienung des Geräts gestattet werden.
- Befolgen Sie immer die Betriebsinformationen sowie alle geltenden Sicherheitsverfahren und -anforderungen.
- Für den Betrieb des Geräts müssen Sie die Altersanforderungen Ihres Landes erfüllen.
- An einem sicheren Ort aufbewahren.
- Behalten Sie vor der Verwendung jederzeit freie Sicht auf den Arbeitsbereich und prüfen Sie, ob dies sicher ist

Vor Wartungsarbeiten an ferngesteuerten Geräten

- Öffnen Sie das Empfängergehäuse nur, wenn Sie dafür qualifiziert sind.
- Trennen Sie die gesamte Stromversorgung vom Gerät.
- Gehäuse und Kabel regelmäßig auf Beschädigungen prüfen, bei Anzeichen von Beschädigungen nicht verwenden.

## Elektrische Sicherheit



TRENNEN Sie die Netzstromversorgung, bevor Sie die Abdeckung entfernen und beachten Sie alle relevanten Sicherheitshinweise.

- Die Wartung des Produkts, bei der die Abdeckung entfernt wird, darf nur von einer sachkundigen Person oder einem qualifizierten Elektriker durchgeführt werden.
- Sorgen Sie für einen ausreichenden Schutz des Lastkreises
- Siehe Produktdatenblatt für MAX Betriebslast.
- Das Produkt muss in Übereinstimmung mit den örtlichen Elektrovorschriften des Landes installiert werden.
- Es muss eine Strombegrenzungsversorgung gemäß Datenblatt verwendet werden.

## Información de seguridad



Lea atentamente la siguiente información de seguridad antes de continuar con la instalación, operación o mantenimiento del producto de RF Solutions. El incumplimiento de estas advertencias podría provocar la muerte o lesiones graves.

- Este sistema de radio no debe utilizarse en áreas donde exista riesgo de explosión.
- Solo se debe permitir el acceso al transmisor y operar el equipo a personal calificado.
- Siga siempre la información de funcionamiento, así como todos los procedimientos y requisitos de seguridad aplicables.
- Debe cumplir con los requisitos de edad en su país para operar el equipo.
- Almacenar en un lugar seguro.
- Mantenga una vista clara del área de trabajo en todo momento antes de usar, verifique que sea seguro hacerlo

Antes de la intervención de mantenimiento en cualquier equipo controlado a distancia

- No abra la caja del receptor a menos que esté calificado.
- Desconecte toda la energía eléctrica del equipo.
- Compruebe la carcasa y el cable en busca de daños con regularidad, no los utilice si hay evidencia de daños

## Seguridad ELECTRICA



AISLE el suministro eléctrico de la red antes de quitar la tapa y observe cualquier información de seguridad relevante.

- El mantenimiento del producto que implica la extracción de la cubierta solo debe ser realizado por una persona competente o un electricista calificado.
- Asegurar una protección adecuada en el circuito de carga.
- Consulte la hoja de datos del producto para conocer la carga operativa MÁXIMA.
- El producto debe instalarse de acuerdo con las normativas eléctricas locales del país.
- Se debe utilizar un suministro de limitación de corriente de acuerdo con la hoja de datos

## Informazioni sulla sicurezza



Leggere attentamente le seguenti informazioni sulla sicurezza prima di procedere con l'installazione, il funzionamento o la manutenzione del prodotto RF Solutions. La mancata osservanza di queste avvertenze può provocare morte o lesioni gravi

- Questo sistema radio non deve essere utilizzato in aree a rischio di esplosione.
  - L'accesso al trasmettitore e l'utilizzo dell'apparecchiatura deve essere consentito solo a personale qualificato.
  - Seguire sempre le informazioni operative, nonché tutte le procedure e i requisiti di sicurezza applicabili.
  - È necessario soddisfare i requisiti di età nel proprio paese per l'utilizzo dell'apparecchiatura.
  - Conservare in un luogo sicuro.
  - Mantenere sempre una visione chiara dell'area di lavoro prima dell'uso, controllare che sia sicuro farlo
- Prima dell'intervento di manutenzione su qualsiasi apparecchiatura telecomandata
- Non aprire l'involucro del ricevitore se non si è qualificati.
  - Scollegare tutta l'alimentazione elettrica dall'apparecchiatura.
  - Controllare regolarmente la custodia e il cavo per verificare che non siano danneggiati, non utilizzare se vi sono segni di danneggiamento

## Sicurezza elettrica



ISOLARE l'alimentazione di rete prima di rimuovere il coperchio e osservare tutte le informazioni di sicurezza pertinenti.

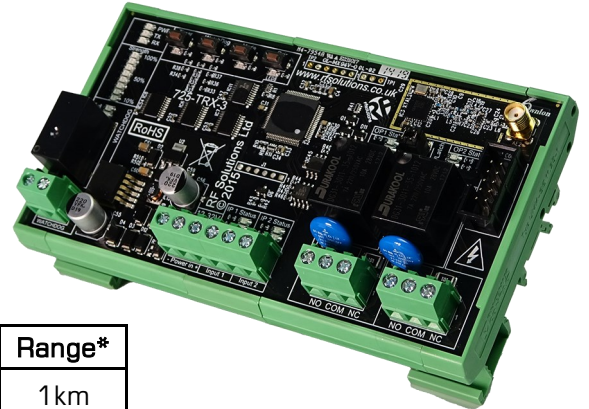
- La manutenzione del prodotto che comporta la rimozione del coperchio deve essere eseguita solo da una persona competente o da un elettricista qualificato.
- Garantire un'adeguata protezione sul circuito di carico
- Fare riferimento alla scheda tecnica del prodotto per il carico operativo MAX.
- Il prodotto deve essere installato in conformità con le normative elettriche locali del paese.
- È necessario utilizzare un'alimentazione con limitazione di corrente in conformità con la scheda tecnica



## Products Overview

### 725TRX Transceiver

- Self Contained Telemetry Transceiver
- 2 No volt inputs
- 2 Relay Outputs
- 1 Watchdog Relay output
- Supply Voltage 12-32V ac/dc
- Supplied with antenna



Part Number	Description	Range*
725-TRX8-FM	868MHz Transceiver FM only	1km
725-TRX8-LORA	868MHz Transceiver FM & LORA	20km
725-TRX9-LORA	918MHz Transceiver LORA only	20km

\* Range is quoted optimum LOS.

### 725-IP Additional 4 Switch Inputs

- Provides 4 additional inputs
- Connects Directly to 725TRX.
- Connecting ribbon cable supplied.
- Up to 16 725-IP modules may be Daisy Chained together.

Part Number	Description
725-IP	4 input Add-on Module



### 725-OP Additional 4 Relay Output board

- 4 Changeover Relay Outputs.
- Connecting ribbon cable supplied.
- Up to four 725-OP modules can be Daisy Chained.

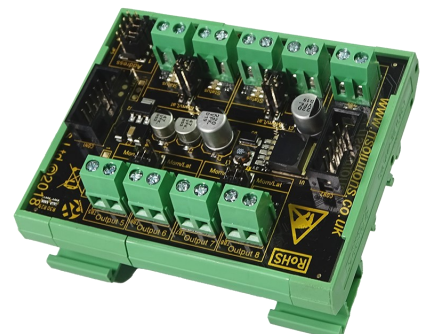
Part Number	Description
725-OP	4 Output Add-on Module



### 725-DOP 8 Channel Output board

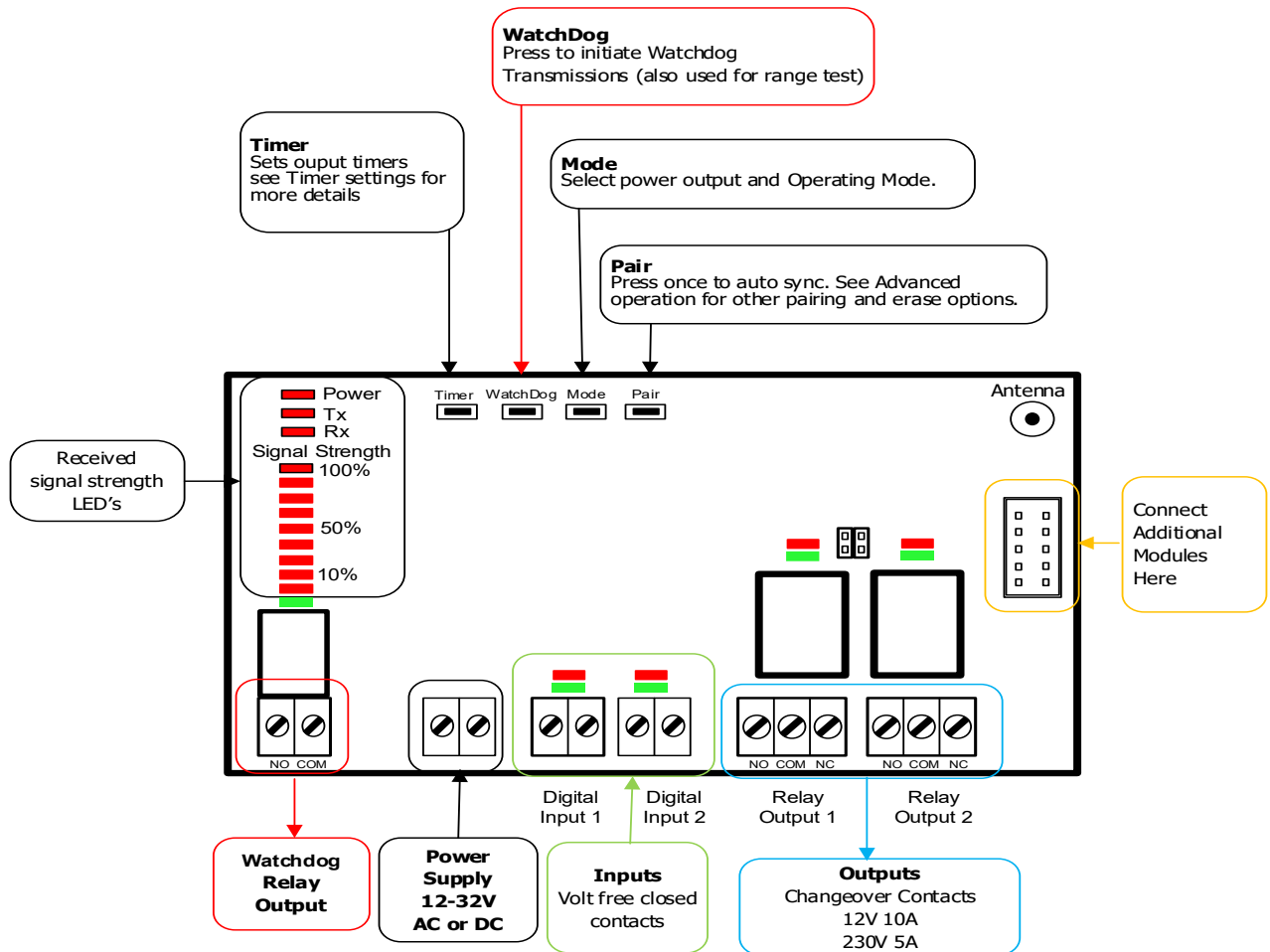
- 8 Digital outputs for direct relay/contactor drive
- 0-30V operation range.
- 6A per channel.
- Connecting ribbon cable supplied.
- Up to four 725-DOP8 modules can be Daisy Chained.

Part Number	Description
725-DOP8	8 Output Add-on Module





## 725TRX Overview



## Overview of Features

725TRX has many 'optional' features. These are summarised below and explained in detail later in this document.

**Auto or Manual Pairing:** Modules can be auto paired together in banks or any individual input can be paired to any individual output(s) on another 725TRX. The limitation is that any one individual input can only be paired with one other individual output.

**WATCHDOG:** Can be used when 2 x 725TRX modules are paired together. This is an independent relay contact which is held 'ON' as long as an Auto TX signal is received from the other 725TRX. (This can be used in both directions!)

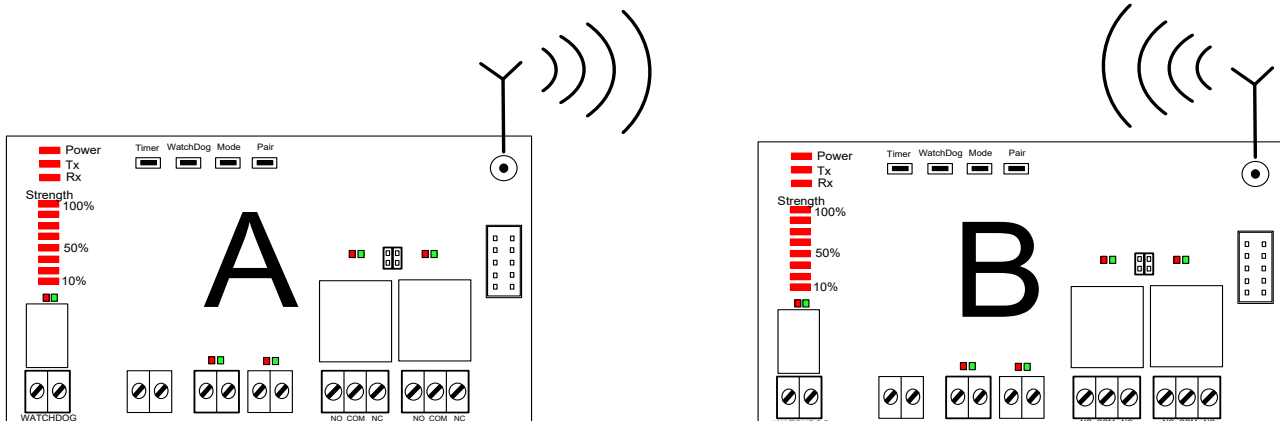
**RF Mode:** The 725-TRX-LORA modules can be set to operate in FM or LORA Modes 1-7. When using FM mode, the outputs operate within 30 milliseconds; when LORA (Long Range mode) is enabled, the time delay is increased with each mode step. In the worst case this is 1.2 seconds. (LORA Mode 7)

**OUTPUTS:** The outputs can be set to be Momentary, Latching or Timed.

**Additional Modules:** Additional Input and Output modules or a combination of both can be connect (max 4 input or output boards of any type).

**Note:** When using more than 2 output boards VCC must be connected to the 725-OP boards.

## Creating a Telemetry System using Two 725 TRX's



### Follow these Steps:

1. Connect to screw Terminal Inputs.
2. Connect to screw Terminal Outputs.
3. Pair Together 725TRX Modules A and B.
4. Set Output Jumper Links (Momentary or Latching).
5. Optional configuration: Auto TX / TIMERS / WATCHDOG / MODE.

## Pairing

### Factory Default Status:

In Factory default Input / Output LEDs flash Red/Green alternately

### To AUTO-PAIR A to B:

1. Press and release the PAIR button on the 725TRX B.
2. The pair LED and all relay output LED's will flash on 725TRX B
3. Activate ANY input on 725TRX A.
4. All flashing LEDs on 725TRX B relays will go out. The PAIR LED will flash quickly for 2 seconds .
5. Pairing Complete

### To PAIR A Input 1 to B Output 2:

1. Press and release the PAIR button on the 725TRX B to enter pair mode. Press the PAIR button again to cycle through LED's until only the LED above Relay 2 is Flashing
2. Activate input 1 on 725TRX A.
3. All flashing LEDs on 725TRX B relays will go out, the PAIR LED will flash quickly for 2 seconds
4. Pairing Complete

**Please Note:** Manual pair will not work when auto pair has been used.

## Pairing a hand held transmitter



### To AUTO-PAIR a hand held transmitter:

1. Press and release the PAIR button on the 725TRX.
2. The pair and all relay output LED's will flash on 725TRX.\*
3. Activate ANY button on your transmitter.
4. All flashing LEDs on 725TRX relays will go out. The PAIR LED will flash quickly for 2 seconds .
5. Auto-Pair is Complete

**Note:** \*To Auto-Pair an output board you need to press the Pair button again and repeat until the desired 725-OP LEDs are flashing then continue from step 3.

### To PAIR a hand held transmitter button to Relay 2:

1. Press and release the PAIR button on the 725TRX to enter pair mode. Press and release the PAIR button to cycle through LED's until only the LED above Relay 2 is Flashing
2. Activate your chosen button on your transmitter.
3. All flashing LEDs on 725TRX relays will go out. The PAIR LED will flash quickly for 2 seconds .
4. Pairing is Complete

**Note:** \*To Pair an output board relay, you need to press the Pair button and repeat to cycle through LED's until only the LED above the desired 725-OP relay is flashing then continue from step 2.

Manual pair will not work when auto pair has been used.

The max no of pairings is 32, this applies to individual inputs (or buttons on keyfob) e.g. a single 725-TRX can learn 32 individual 1 button FOBBER Keyfobs , or 8, 4 button FOBBER Keyfobs.

## Erasing & Reset to Factory Default

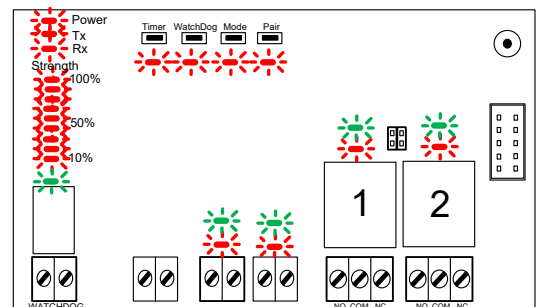
The 725TRX may be reset to Factory default at any time by pressing the PAIR button for 15 seconds.

### Erasing Everything (reset to Factory Default):

1. Apply power
2. Press and hold the PAIR button for 15 seconds, the PAIR LED will flash slow then fast.
3. Release the PAIR button.
4. 725-TRX now reset to Factory Default

### ERASE Individual Transmitters:

1. Apply power
2. Press and hold the PAIR button for 10 seconds, the PAIR LED will flash slow as soon as this happens release the PAIR button.
3. Press any button on the transmitter to be erased.
4. The 725-TRX will exit to normal operating mode and the transmitter will be erased.



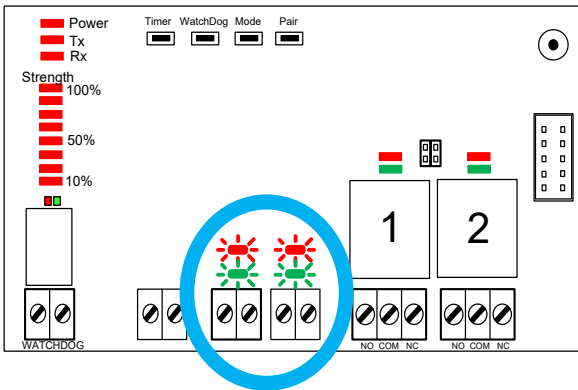
## INPUTs Status LEDs

Inputs are activated by a closed contact 'no volt' switch.

When the status of any input is changed 725TRX immediately broadcasts the status (of all inputs).

After receiving the transmitted RF signal, the paired 725TRX Transceiver(s) respond with an ACKNOWLEDGE RF Signal.

When the ACKNOWLEDGE signal is received back by the transmitting 725TRX it will be indicated on the input status LED's.

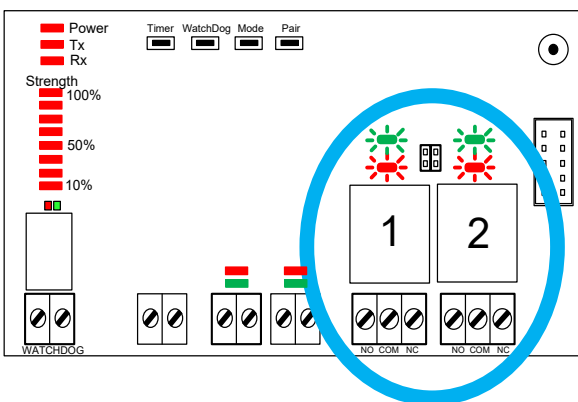


LED	Description
RED/GREEN Alternating	Input is not paired with any output
<b>GREEN LED</b>	<b>Status of Input</b>
ON	Input Active / ON
OFF	Input Inactive / OFF
<b>RED LED</b>	<b>Feedback from Receiver</b>
ON	After Power is applied and before transmitting any signal
OFF	Ack signal successfully received
Flashing	Failed to received the ack signal (out of Range)

## OUTPUTs Status LEDs

When the receiving 725TRX gets a valid signal from a paired device it will activate an output.

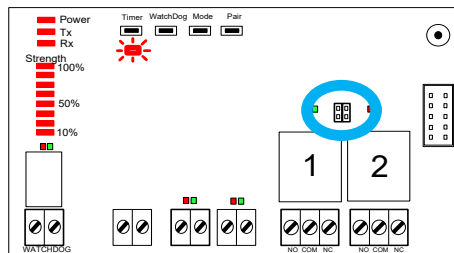
The status of active relays will be displayed on their corresponding LED's.



LED	Description
RED/GREEN Alternating	Output is not paired with any input
<b>GREEN LED</b>	<b>Status of Output</b>
ON	Relay is Active / ON
OFF	Relay is Inactive / OFF
<b>RED LED</b>	<b>Feedback from Receiver</b>
Flashing	Ready to pair

## MOMENTARY/LATCHING setting links

Each Relay Output can be individually pre-set to Momentary/Latching by fitting or removing the Link Headers



Link fitted	LATCHING	Output changes state on each Transmit signal
Link Removed	MOMENTARY	Output operates for duration of Transmit signal

## TIMER (Setting an Output Time Delay)

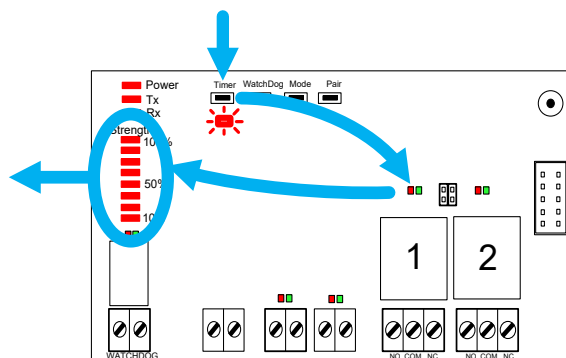
### Setting a Timed Output:

1. Briefly press the TIMER Switch.
2. The TIMER and first relay output LED's will flash.
3. Press the TIMER switch again to scroll through relays until the chosen relay LED is flashing.
4. Wait until the chosen relay LED is on constantly.
5. Now Each press of the timer button will increase the timer delay in line with the TIMER OUTPUT Table Displayed on the signal strength LED's.
6. When you have selected the required delay, wait 3 seconds.
7. The Red TIMER LED will Stop flashing to show that the setting is saved

**Note:** Settings are saved even after power is removed.

**Note:** When zero LED's are lit the relays will operate as per the Momentary/Latching links.

LED	Timer Output
8	60 min
7	30 min
6	10 min
5	1 min
4	30 sec
3	10 sec
2	5 sec
1	1/2 sec
0	Mom



### Erase ALL Timers:

1. Press and hold the TIMER button for 10 seconds,
2. Whilst TIMER button is held, the TIMER LED will turn on and then flash fast.
3. When the LED flashes fast release the timer button the erase is complete
- 4.

**Note:** When setting a Time Delay; If the Jumper Link is Removed the Time delay will restart on each transmission regardless of output status.

If the Jumper Link is Fitted, the Time delay output Will Latch OFF / ON Timed with each transmission.

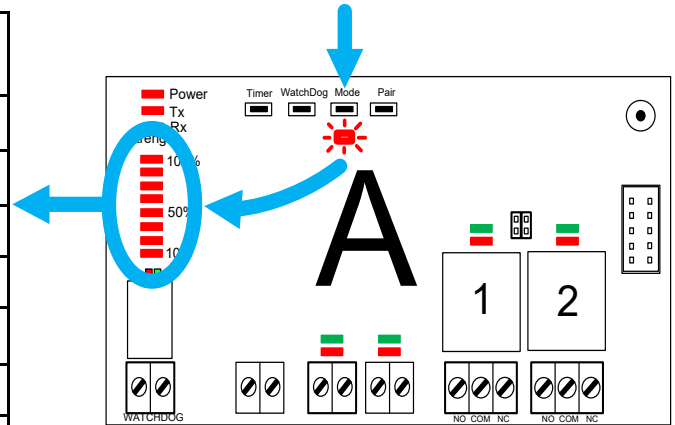
## RF Mode of Operation

The 725TRX LORA modules can be configured to operate as standard FM or LoRA Modes. 1-7

**FM** = (FSK) fixed frequency Carrier Frequency (provides a fast Time of operation over a shorter range)

**LoRA** = Long Range Spread Spectrum Frequency Hopping Protocol (provide a longer range)

Mode	Typical RF Transmit Packet Time	LED
LORA 7	1.28 Seconds	8
LORA 6	640 mSecs	7
LORA 5	320 mSecs	6
LORA 4	160 mSecs	5
LORA 3	80 mSecs	4
LORA 2	40 mSecs	3
LORA 1	20 mSecs	2
FM	20 mSecs	1

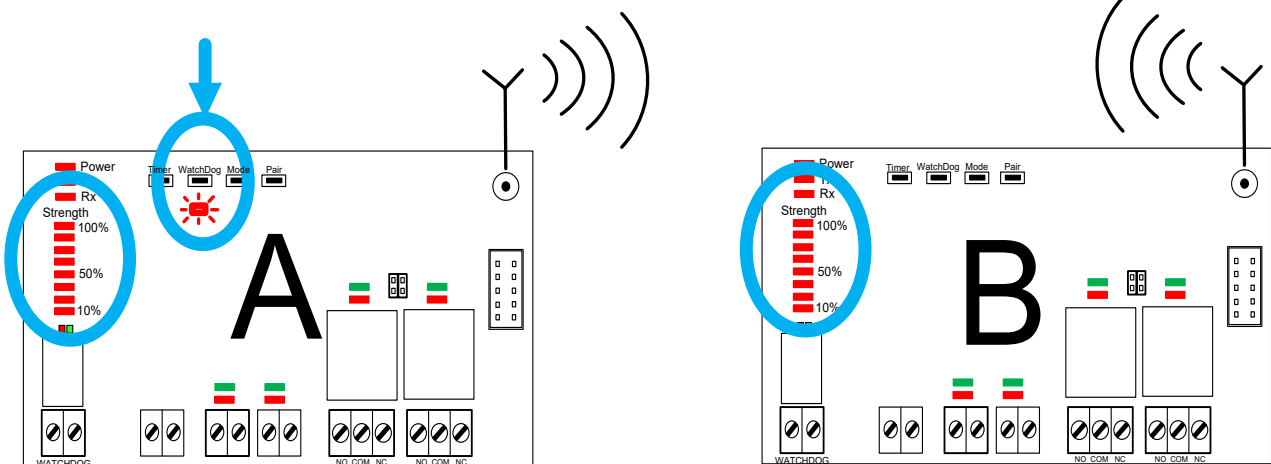


**Note:** 725-TRX 'FM' versions only operate in FM mode

### To Set the Mode of operation

1. Press the MODE button momentarily the MODE LED will flash.
2. Repeat press the MODE button until the chosen LED / Mode is selected

## Walk / Range Test



1. Press and hold the WatchDog button on the Transmitter for 5 seconds.
2. 725TRX emits a special Test transmission every second,
3. Any 725TRX will display the received Beacon on the signal strength LED bar graph.
4. An acknowledge will be sent back to the originating 725TRX by any paired 725TRX which will also display on its signal Strength LED bar graph
5. When activated on a paired transmitter, LEDs 1-8 on both devices will show signal strength

**Notes:** For reliable communications we recommend 3 or more LED's are illuminated.

## Watchdog

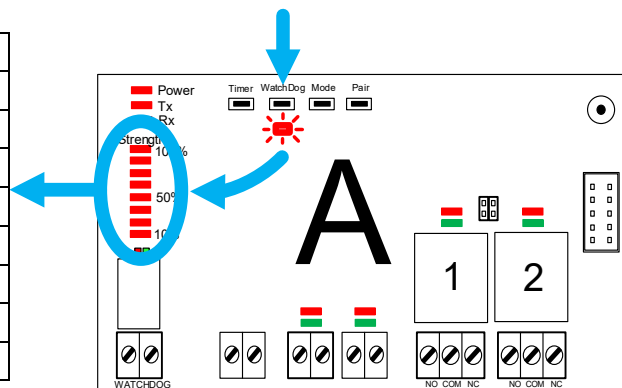
This feature provides a System “Alive” failsafe function between Two 725TRX modules. When Watchdog is enabled a 725TRX automatically transmits a background Radio signal at the preset time interval.

Any paired 725TRX receiving an RF packet from another paired 725TRX will activate its “Watchdog relay output”. As long as the background Radio signals are being received and working correctly the watchdog relay will remain energised. If a background radio signal is not received within the Watchdog Timeout period, The watchdog relay will relax, indicating lost communication.

## Enable a Watchdog Transmission

Briefly press the WDOG button, WDOG LED is illuminated and Watchdog transmissions will be activated. Repeat press the WDOG Button to select a Watchdog time interval

WDOG Tx Interval	LED
120 min	8
60 min	7
20 min	6
10 min	5
2 min	4
65 sec	3
45 sec	2
25 sec	1



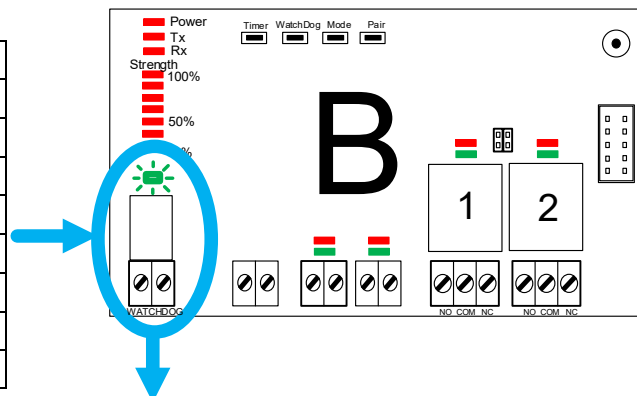
## Watchdog Reception - Relay Output

The watchdog relay will automatically be activated whenever an RF signal from a paired transmission is received (the WDOG button does not need to be pressed to receive)

As long as an RF signal is received from a paired 725TRX within the timeout period, then the Watchdog relay will be maintained “ON”

If an rf signal is not received within the watchdog timeout period then the Watchdog relay will relax indicating a problem !

WDOG Relay Timeout	LED
360 min	8
180 min	7
60 min	6
30 min	5
6 min	4
195 sec	3
135 sec	2
80 sec	1



### Notes:

1. We recommend that the receiving 725 allows for at least 3 Auto TX time periods
2. The 725-TRX will need to be paired in both directions for both watchdog relays to operate. A 725-TRX can only receive a watchdog signal when paired as a receiver.
3. When using LoRA and Watchdog. Ensure that the Auto Tx Signal interval allows enough time for the LoRA signal to transmit!



## Additional Input / Output Modules

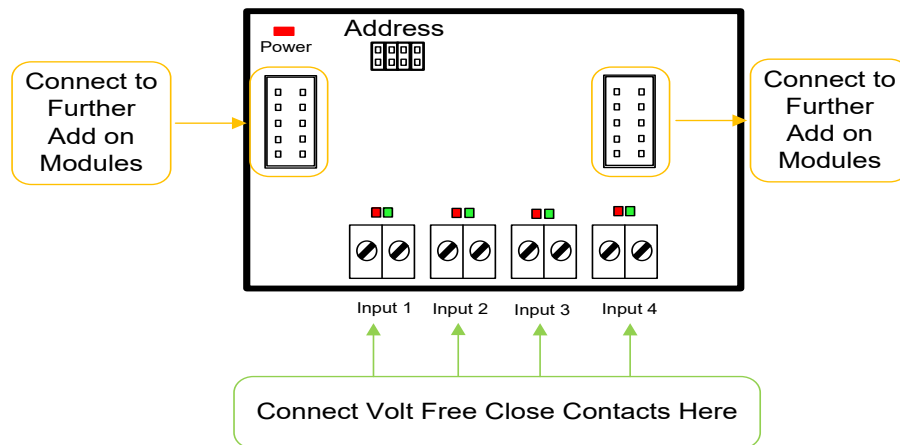
Up to 4 Input and 4 Output modules can be added (16 inputs and 16 outputs (725-OP) 32 outputs (725-DOP8) max).

Cables are supplied to enable the modules to plug and play.

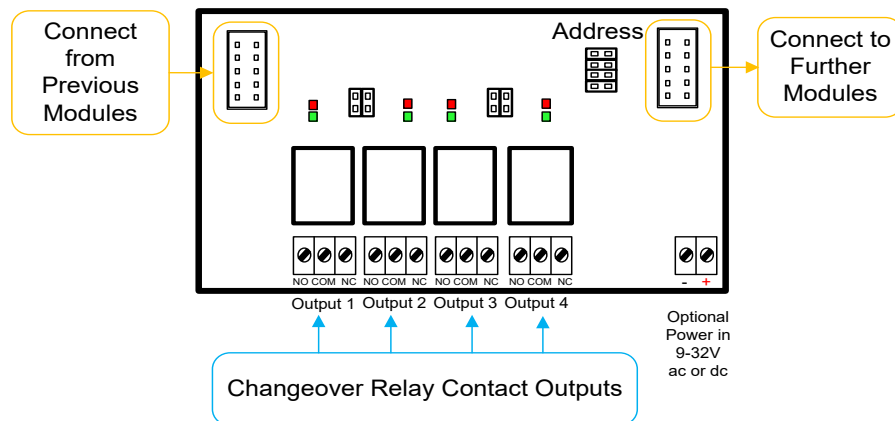
Each Add-on module must have a unique address link set

Once the Address Links are selected, no other configuration is required the add on modules function as an extension of the 725TRX Module.

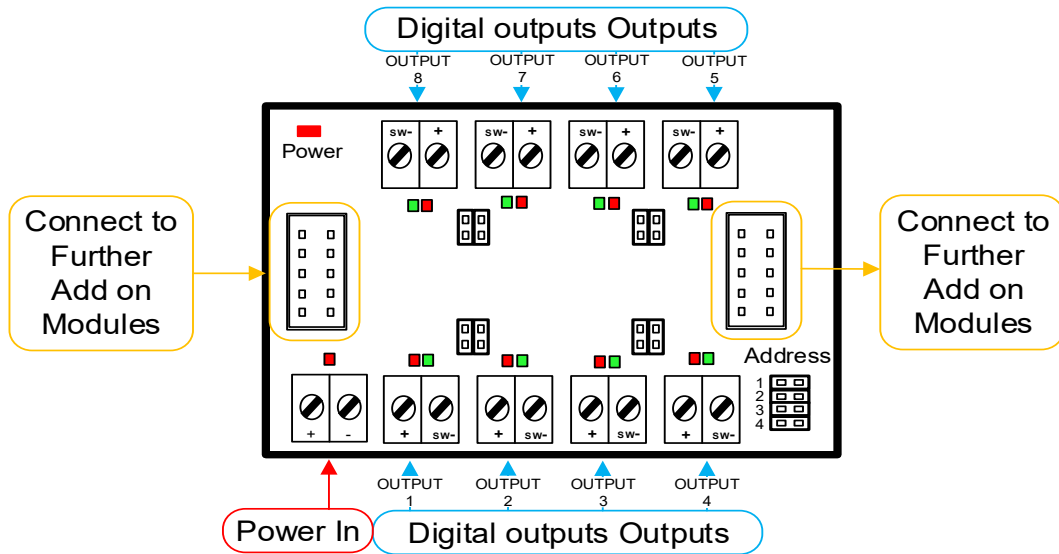
## 725-IP Additional 4 Inputs Module



## 725-OP Additional 4 x Output Relays Module



## 725-DOP8 Additional Outputs Module

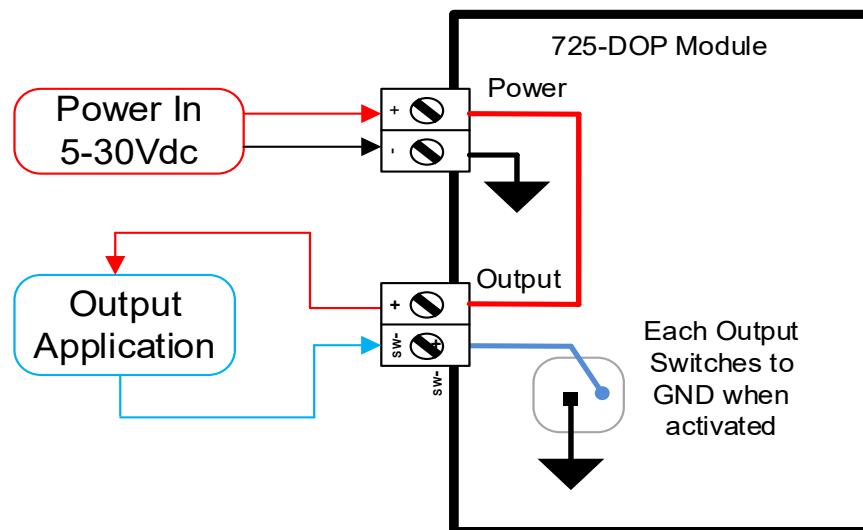


The 725-DOP8 module provides 8 Switching Outputs.

For each output, the +ve screw terminal is directly connected to the Power Supply +ve Voltage, When the output is activated the "SW" Screw Terminal is switched to GND.

The power supply for this module can be up to 30Vdc @6A enabling this module to switch higher voltages (e.g. contactors, PLC, or other switching logic)

## 725-DOP8 Output Schematic



## Connecting Add-on Input / Output Modules

### Address settings:

Each module must have a unique address set by the Address jumpers (it doesn't matter what the address is)

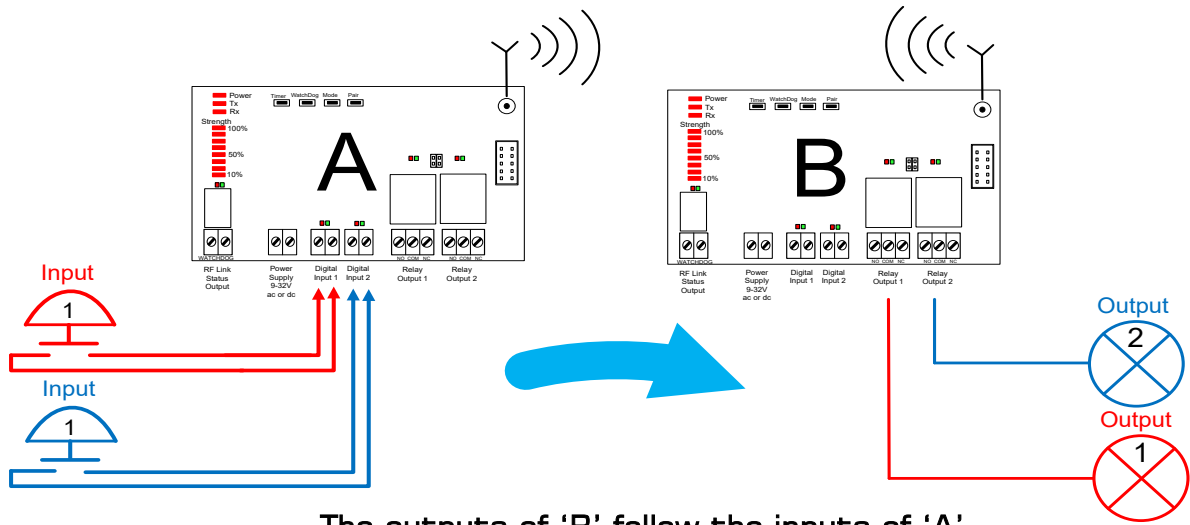
**Note:** When pairing outputs will cycle in address order .

### Connect to 725TRX:

Connect to the 725TRX or previous I/O module using the ribbon cable provided

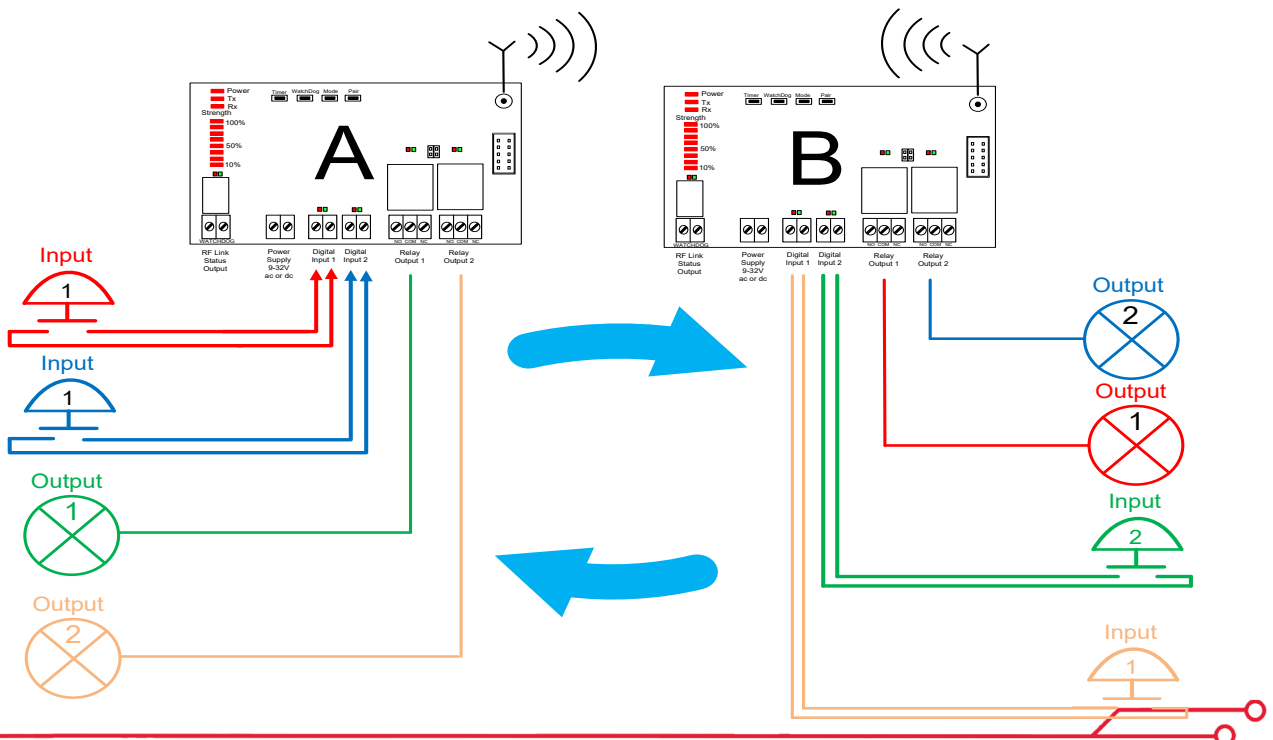
**Note:** When connecting more than one 725-OP module the power must be connected directly to the 725-OP module screw terminals.

## Application Example A to B Telemetry



The outputs of 'B' follow the inputs of 'A'

## Application Example A to B and B to A Telemetry

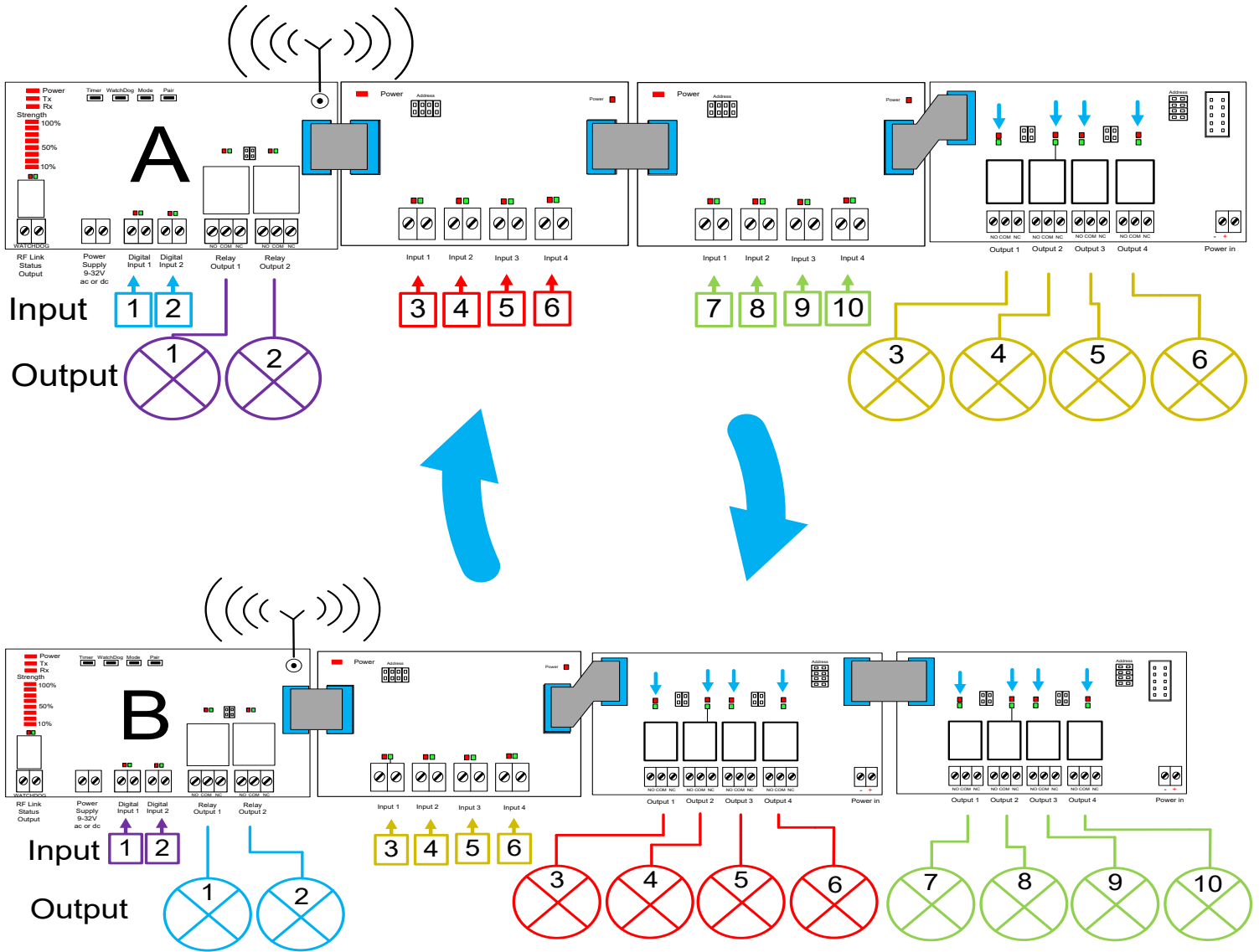


## Application Example using Multiple Add-on Modules

In this Below example;

'A' inputs are paired directly with 'B' Outputs

'B' inputs are paired directly with 'A' Outputs



## More Advanced Example - using Multiple Transceiver Modules

### Application Example:

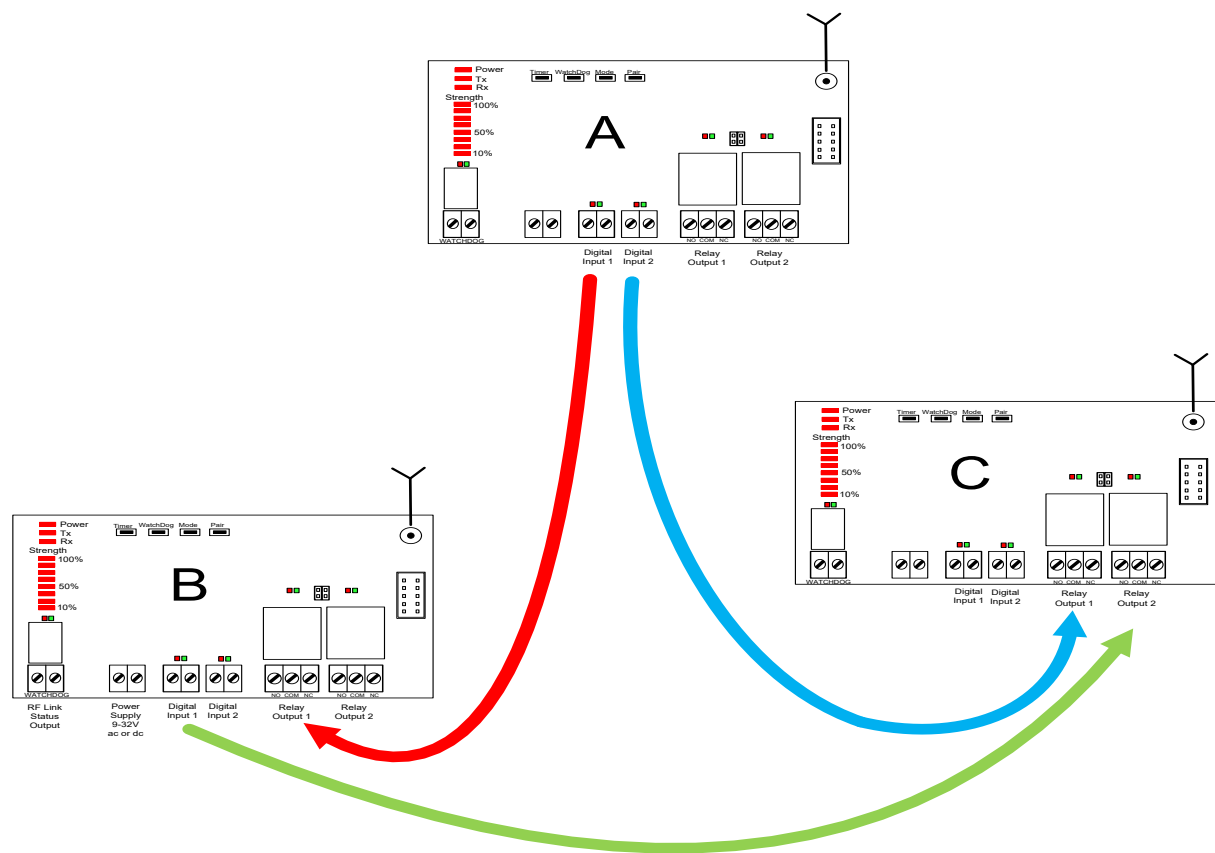
In the example below

'A' input 1 is paired with 'B' Output2

'A' input 2 is paired with 'C' output 1

'B' input 2 is paired with 'C' output 2

Note: Do not pair more than one output relay with each input. When paired together the individual input and output stay in Sync with each other consequently pairing of individual inputs and outputs must be on a one to one basis.



## Optional Component Parts / Spares

### ENC-DA3 enclosure:

- IP65 rated DIN rail enclosure
- 12V volt PSU
- 305mm X 220mm X 125mm
- Premade Back plate with DIN Rail Mount
- Easy clip fit for 700 series products



### 12V1A-IN-IP:

- IP67 rated PSU
- 12V volt
- 1Amp



### CBA-SMAMR-SMAF:

Used for externally mounting an antenna

- SMA Male Right Angle
- SMA Female Bulkhead Straight



### ANT-GSM5WM:

- Wall mount antenna
- 3m cable
- Wall Mount Whip Antenna
- 824-960
- Active gain: +5dB
- RG58 Connecting Lead



# 725 Series



## Technical Specifications

### Transceiver: 725-TRX

Dimensions: 136 x 78 x 42 mm

Storage Temperature: -10 to +70° Celsius.

Operating Temperature: -10 to +50° Celsius.

Electrical Characteristics	Min	Typical	Max	Units	Note
Supply Voltage	12		32	Vdc or ac	
Frequency:		869.500 918.000		MHz	
RF Output Power (ERP)	-		+22	dBm	
Supply Current : Quiescent		45		mA	2
All output relays operating		+101		mA	
Watchdog relay operating		+25		mA	
When transmitting		+95		mA	

### Input Module: 725-IP

Dimensions: 68 x 78 x 42 mm

Storage Temperature: -10 to +70° Celsius.

Operating Temperature: -10 to +50° Celsius.

Electrical Characteristics	Min	Typical	Max	Units	Note
Supply Voltage		N/A		V	1
Supply Current		15		mA	

### Output Module: 725-OP

Dimensions: 136 x 78 x 42 mm

Storage Temperature: -10 to +70° Celsius.

Operating Temperature: -10 to +50° Celsius.

ELECTRICAL CHARACTERISTICS	Mode	Min	Typical	Max	Units	Note
Supply Voltage		12	N/A	32	V	1
Relay Rating* (230Vac) RLY 1-4			5		A(rms)	2
Time delay from Tx on Switch to Rx Relay operation	FSK LORA		30 30- 1500		mS mS	
Time delay from Tx sw relax to Rx Relay re-lease	FSK LORA		30 30- 1500		mS mS	
Supply Current : Quiescent		12			mA	
All relays operating		+90			mA	

### Output Module: 725-DOP8

Dimensions: 90 x 78 x 42 mm

Storage Temperature: -10 to +70° Celsius.

Operating Temperature: -10 to +50° Celsius.

Electrical Characteristics	Min	Typical	Max	Units	Note
Supply Voltage	0.1	N/A	30	V	3
Supply Current per channel operating		6	7	A	
Quiescent current				mA	

### Notes:

1. When using more than 2 output boards VCC must be connected to the 725-OP boards
2. The relay contacts in this unit are for functional use only and must not be used for isolation purposes
3. The supply input voltage is the output voltage for all outputs on the board.



## Product Identification and Revision Control

Product Ident label is mounted On the Rear of the module



### Revision Change History

Part	New Revision	Change / Fix
725-TRX8-1K 725-TRX8-16K	3 3	Bug Fix to fix Momentary Mode
725-TRX8-1K 725-TRX8-16K 725-TRX9-1K 725-TRX9-16K  725-IP	4 4 2 2  2	Update to Firmware to make 725-IP functionally compatible with other RF Solutions Products (EZTEXT-DIN)
725-TRX8-1K 725-TRX8-16K 725-TRX9-1K 725-TRX9-16K  725-IP 725-OP	5 5 3 3  2 2	Output bug where relays would not drop out if signal was lost from a hand held transmitter. Update FW to remove bug this includes both the 725 transceivers and output boards
725-TRX8-1K 725-TRX8-16K 725-TRX9-16K	6 6 6	Update to incorporate the SX1262, Product renamed to  725-TRX8-FM 725-TRX8-LORA 725-TRX9-LORA  Product is now compatible with all LoRa Modes new SX1262 product Range

## Simplified Declaration of Conformity (RED)

**BG** - С настоящото RF Solutions Limited декларира, че този тип радиосъоръжение дефинирани в този документ е в съответствие с Директива 2014/53/EC.

Цялостният текст на ЕС декларацията за съответствие може да се намери на следния интернет адрес: [www.rfsolutions.co.uk](http://www.rfsolutions.co.uk)

**CS** - Tímto RF Solutions Limited prohlašuje, že typ rádiového zařízení definované v tomto dokumentu je v souladu se směrnicí 2014/53/EU. Úplně znění EU prohlášení o shodě je k dispozici na této internetové adrese: [www.rfsolutions.co.uk](http://www.rfsolutions.co.uk)

**DA** - Hermed erklærer RF Solutions Limited, at radioudstyrstypen defineret i dette dokument er i overensstemmelse med direktiv 2014/53/EU. EU-overensstemmelseserklæringens fulde tekst kan findes på følgende internetadresse: [www.rfsolutions.co.uk](http://www.rfsolutions.co.uk)

**DE** - Hiermit erklährt RF Solutions Limited, dass der Funkanlagentyp in diesem Dokument definiert der Richtlinie 2014/53/EU entspricht. Der vollständige Text der EU-Konformitätserklärung ist unter der folgenden Internetadresse verfügbar: [www.rfsolutions.co.uk](http://www.rfsolutions.co.uk)

**EL** - Με την παρούσα ο/η RF Solutions Limited, δηλώνει ότι ο ραδιοεξοπλισμός ορίζεται σε αυτό το έγγραφο πληροί την οδηγία 2014/53/ΕΕ. Το πλήρες κείμενο της δήλωσης συμμόρφωσης ΕΕ διατίθεται στην ακόλουθη ιστοσελίδα στο διαδίκτυο: [www.rfsolutions.co.uk](http://www.rfsolutions.co.uk)

**EN** - Hereby, RF Solutions Limited declares that the radio equipment type defined within this document is in compliance with Directive 2014/53/EU. The full text of the EU declaration of conformity is available at the following internet address: [www.rfsolutions.co.uk](http://www.rfsolutions.co.uk)

**ES** - Por la presente, RF Solutions Limited declara que el tipo de equipo radioeléctrico definido dentro de este documento es conforme con la Directiva 2014/53/UE. El texto completo de la declaración UE de conformidad está disponible en la dirección Internet siguiente: [www.rfsolutions.co.uk](http://www.rfsolutions.co.uk)

**ET** - Käesolevaga deklareerib RF Solutions Limited, et käesolev raadioseadme tüüp määratletud selles dokumendis vastab direktiivi 2014/53/EL nõuetele. ELi vastavusdeklaratsiooni täielik tekst on kättesaadav järgmisel internetiaadressil: [www.rfsolutions.co.uk](http://www.rfsolutions.co.uk)

**FI** - RF Solutions Limited vakuuttaa, että radiolaitetyypin määrättyä selles dokumentissa on direktiivin 2014/53/EU mukainen. EU-vaatimustenmukaisuusvakuutuksen täysimittainen teksti on saatavilla seuraavassa internetosoitteessa: [www.rfsolutions.co.uk](http://www.rfsolutions.co.uk)

**FR** - Le soussigné, RF Solutions Limited, déclare que l'équipement radioélectrique du type défini dans ce document est conforme à la directive 2014/53/UE. Le texte complet de la déclaration UE de conformité est disponible à l'adresse internet suivante: [www.rfsolutions.co.uk](http://www.rfsolutions.co.uk)

**HR** - RF Solutions Limited ovime izjavljuje da je radijska oprema tipa definiran u ovom dokumentu u skladu s Direktivom 2014/53/EU. Cjeloviti tekst EU izjave o skladnosti dostupan je na sljedećoj internetskoj adresi: [www.rfsolutions.co.uk](http://www.rfsolutions.co.uk)

**HU** - RF Solutions Limited igazolja, hogy a dokumentumban meghatározottak szerint típusú rádióberendezés megfelel a 2014/53/EU irányelvnek. Az EU-megfelelőségi nyilatkozat teljes szövege elérhető a következő internetes címen: [www.rfsolutions.co.uk](http://www.rfsolutions.co.uk)

**IT** - Il fabbricante, RF Solutions Limited, dichiara che il tipo di apparecchiatura radio definito all'interno di questo documento è conforme alla direttiva 2014/53/UE. Il testo completo della dichiarazione di conformità UE è disponibile al seguente indirizzo Internet: [www.rfsolutions.co.uk](http://www.rfsolutions.co.uk)

**LT** - Aš, RF Solutions Limited, patvirtinu, kad radijo įrenginių tipas apibrėžta šiame dokumente atitinka Direktyvą 2014/53/ES. Visas ES atitikties deklaracijos tekstas prieinamas šiuo interneto adresu: [www.rfsolutions.co.uk](http://www.rfsolutions.co.uk)

**LV** - Ar šo RF Solutions Limited deklarē, ka radioiekārta kas definēts šajā dokumentā atbilst Direktīvai 2014/53/ES. Pilns ES atbilstības deklarācijas teksts ir pieejams šādā interneta vietnē: [www.rfsolutions.co.uk](http://www.rfsolutions.co.uk)

**MT** - B'dan, RF Solutions Limited, niddikjara li dan it-tip ta' tagħmir tar-radju definit f'dan id-dokument huwa konformi mad-Direttiva 2014/53/UE. It-test kollu tad-dikjarazzjoni ta' konformità tal-UE huwa disponibbli f'dan l-indirizz tal-Internet li ġej: [www.rfsolutions.co.uk](http://www.rfsolutions.co.uk)

**NL** - Hierbij verklaar ik, RF Solutions Limited, dat het type radioapparatuur gedefinieerd in dit document conform is met Richtlijn 2014/53/EU. De volledige tekst van de EU-conformiteitsverklaring kan worden geraadpleegd op het volgende internetadres: [www.rfsolutions.co.uk](http://www.rfsolutions.co.uk)

**PL** - RF Solutions Limited niniejszym oświadcza, że typ urządzenia radiowego zdefiniowane w tym dokumencie jest zgodny z dyrektywą 2014/53/UE. Pełny tekst deklaracji zgodności UE jest dostępny pod następującym adresem internetowym: [www.rfsolutions.co.uk](http://www.rfsolutions.co.uk)

**PT** - O(a) abaixo assinado(a) RF Solutions Limited declara que o presente tipo de equipamento de rádio definido neste documento está em conformidade com a Diretiva 2014/53/UE. O texto integral da declaração de conformidade está disponível no seguinte endereço de Internet: [www.rfsolutions.co.uk](http://www.rfsolutions.co.uk)

**RO** - Prin prezenta, RF Solutions Limited declară că tipul de echipamente radio definit în acest document este în conformitate cu Directiva 2014/53/UE. Textul integral al declarației UE de conformitate este disponibil la următoarea adresă internet: [www.rfsolutions.co.uk](http://www.rfsolutions.co.uk)

**SK** - RF Solutions Limited týmto vyhlasuje, že rádiové zariadenie typu definované v tomto dokumente je v súlade so smernicou 2014/53/EÚ. Úplné EÚ vyhlásenie o zhode je k dispozícii na tejto internetovej adrese: [www.rfsolutions.co.uk](http://www.rfsolutions.co.uk)

**SL** - RF Solutions Limited potrjuje, da je tip radijske opreme opredeljeno v tem dokumentu skladen z Direktivo 2014/53/EU. Celotno besedilo izjave EU o skladnosti je na voljo na naslednjem spletnem naslovu: [www.rfsolutions.co.uk](http://www.rfsolutions.co.uk)

**SV** - Härmed försäkrar RF Solutions Limited att denna typ av radioutrustning definieras i detta dokument överensstämmer med direktiv 2014/53/EU. Den fullständiga texten till EU-försäkran om överensstämmelse finns på följande webbadress: [www.rfsolutions.co.uk](http://www.rfsolutions.co.uk)

### RF Solutions Ltd. Recycling Notice

Meets the following EC Directives:

**DO NOT** Discard with normal waste, please recycle.

**ROHS Directive 2011/65/EU and amendment 2015/863/EU**

Specifies certain limits for hazardous substances.

**WEEE Directive 2012/19/EU**

Waste electrical & electronic equipment. This product must be disposed of through a licensed WEEE collection point. RF Solutions Ltd., fulfils its WEEE obligations by membership of an approved compliance scheme. Environment Agency Registration Number **WEEJB0104WV**.



### Disclaimer:

Whilst the information in this document is believed to be correct at the time of issue, RF Solutions Ltd does not accept any liability whatsoever for its accuracy, adequacy or completeness. No express or implied warranty or representation is given relating to the information contained in this document. RF Solutions Ltd reserves the right to make changes and improvements to the product(s) described herein without notice. Buyers and other users should determine for themselves the suitability of any such information or products for their own particular requirements or specification(s). RF Solutions Ltd shall not be liable for any loss or damage caused as a result of user's own determination of how to deploy or use RF Solutions Ltd's products. Use of RF Solutions Ltd products or components in life support and/or safety applications is not authorised except with express written approval. No licences are created, implicitly or otherwise, under any of RF Solutions Ltd's intellectual property rights. Liability for loss or damage resulting or caused by reliance on the information contained herein or from the use of the product (including liability resulting from negligence or where RF Solutions Ltd was aware of the possibility of such loss or damage arising) is excluded. This will not operate to limit or restrict RF Solutions Ltd's liability for death or personal injury resulting from its negligence.