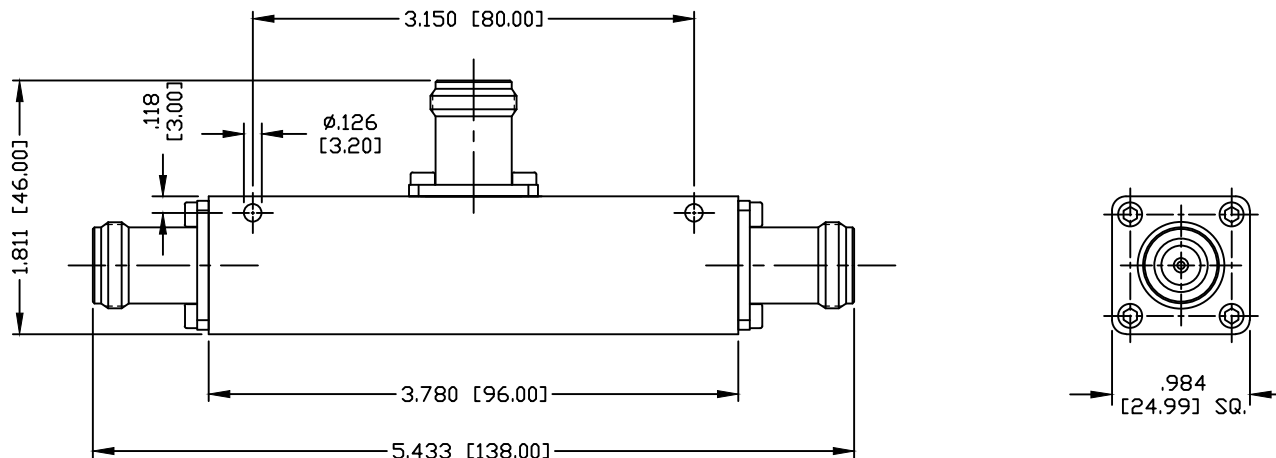


PART NO.

**RFPT-NF-PS3**

REV	DESCRIPTION	DWN	DATE	APPROVED
-	ENGINEERING RELEASE	CZS	03/07/19	JDMc

SPECIFICATIONS:

IMPEDANCE: 50 Ohms  
 FREQUENCY BAND: 138–960 MHz  
 POWER: 200 WATT  
 INSERTION LOSS:

–6.3±0.7 @ 137–200 MHz  
 –5.8±0.6 @ 200–250 MHz  
 –5.4±0.6 @ 250–380 MHz  
 –5.1±0.6 @ 380–520 MHz  
 –4.8±0.5 @ 698–960 MHz

NOMINAL RATIO: 2:1/3dB  
 OUTPUT SPLIT: –1.8/4.8  
 VSWR: 1.4 @ 147–380  
 VSWR: 1.3 @ 380–960  
 OPERATION TEMPERATURE: –35°C ~ +75°C  
 HUMIDITY: 5–95%  
 APPLICATION: INDOOR/OUTDOOR  
 REGULATORY COMPLIANCE: IP65

CUSTOMER OUTLINE DRAWING		<b>RoHS</b> COMPLIANT		<b>RFconnectors</b> DIVISION OF RF INDUSTRIES, LTD.		7610 MIRAMAR RD. SAN DIEGO, CA 92126 (858) 549-6340 (858) 549-6345 FAX	
ALL DIMENSIONS ARE REFERENCE ONLY							
UNLESS OTHERWISE SPECIFIED: DIMENSIONS ARE IN INCHES AND [MILLIMETERS]		PROPRIETARY AND CONFIDENTIAL THIS DRAWING CONTAINS INFORMATION PROPRIETARY TO RF INDUSTRIES. ANY UNAUTHORIZED USE OF THIS DRAWING IS EXPRESSLY PROHIBITED WITHOUT WRITTEN PERMISSION FROM RF INDUSTRIES. ANY VIOLATION IS PUNISHABLE UNDER U.S. COPYRIGHT LAWS.		3 dB POWER TAPPER N FEMALE - 138-690 MHz			
DRAWN C. ZUNIGA	03/07/19	SIZE A	CABLE GROUP	DWG NO. <b>RFPT-NF-PS3</b>	REVISION —		
CHECKED		SCALE: NTS	ENGINEERING ID: 000000	SHEET 1 OF 1			
ORJ DRAWN C. ZUNIGA	03/07/19						