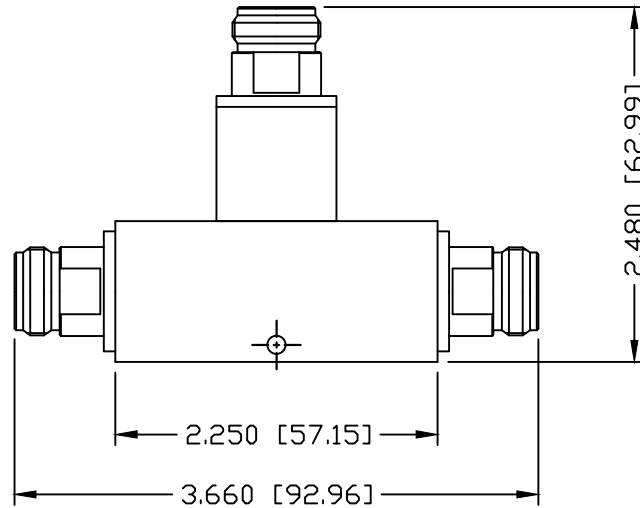


MOUNTING BRACKET INCLUDED

PART NO.		<b>RFPT-NF-C20</b>		
REV	DESCRIPTION	DWN	DATE	APPROVED
A	CHANGED IMAGE	CZS	11/28/18	JDMc



SPECIFICATIONS:

IMPEDANCE: 50 Ohms  
 FREQUENCY RANGE: 698–2700 MHz  
 COUPLING: 20±1.5 dB  
 INSERTION LOSS: 0.1±0.1  
 VSWR: 1.15:1  
 POWER RATING: 200W  
 3RD INTERMODULATION: -155 dBc (RELATIVE TO CARRIER)  
 3RD INTERMODULATION TEST METHOD: 2x43dBm CARRIERS  
 TEMPERATURE RANGE: -35°C ~ +85°C  
 APPLICATION: INDOOR/OUTDOOR  
 REGULATORY COMPLIANCE/CERTIFICATIONS: RoHS/IP65

NOTES:  
 ALL CONNECTORS WILL HAVE PROTECTIVE CAPS ON

CUSTOMER OUTLINE DRAWING <hr/> ALL DIMENSIONS ARE REFERENCE ONLY <hr/> UNLESS OTHERWISE SPECIFIED: DIMENSIONS ARE IN INCHES AND [MILLIMETERS]		<b>RoHS</b> <b>COMPLIANT</b>	<b>RFconnectors</b> DIVISION OF RF INDUSTRIES, LTD.	7610 MIRAMAR RD. SAN DIEGO, CA 92126 (858) 549-6340 (858) 549-6345 FAX	
PROPRIETARY AND CONFIDENTIAL THIS DRAWING CONTAINS INFORMATION PROPRIETARY TO RF INDUSTRIES. ANY UNAUTHORIZED USE OF THIS DRAWING IS EXPRESSLY PROHIBITED WITHOUT WRITTEN PERMISSION FROM RF INDUSTRIES. ANY VIOLATION IS PUNISHABLE UNDER U.S. COPYRIGHT LAWS.		<b>20 dB POWER TAPPER</b> <b>N FEMALE - 698-2700 MHz</b>		7610 MIRAMAR RD. SAN DIEGO, CA 92126 (858) 549-6340 (858) 549-6345 FAX	
DRAWN C. ZUNIGA	11/28/18	SIZE A	CABLE GROUP	DWG NO. <b>RFPT-NF-C20</b>	REVISION A
CHECKED		SCALE: NTS	ENGINEERING ID: 000000	SHEET 1 OF 1	
ORJ DRAWN C. ZUNIGA	09/13/18				