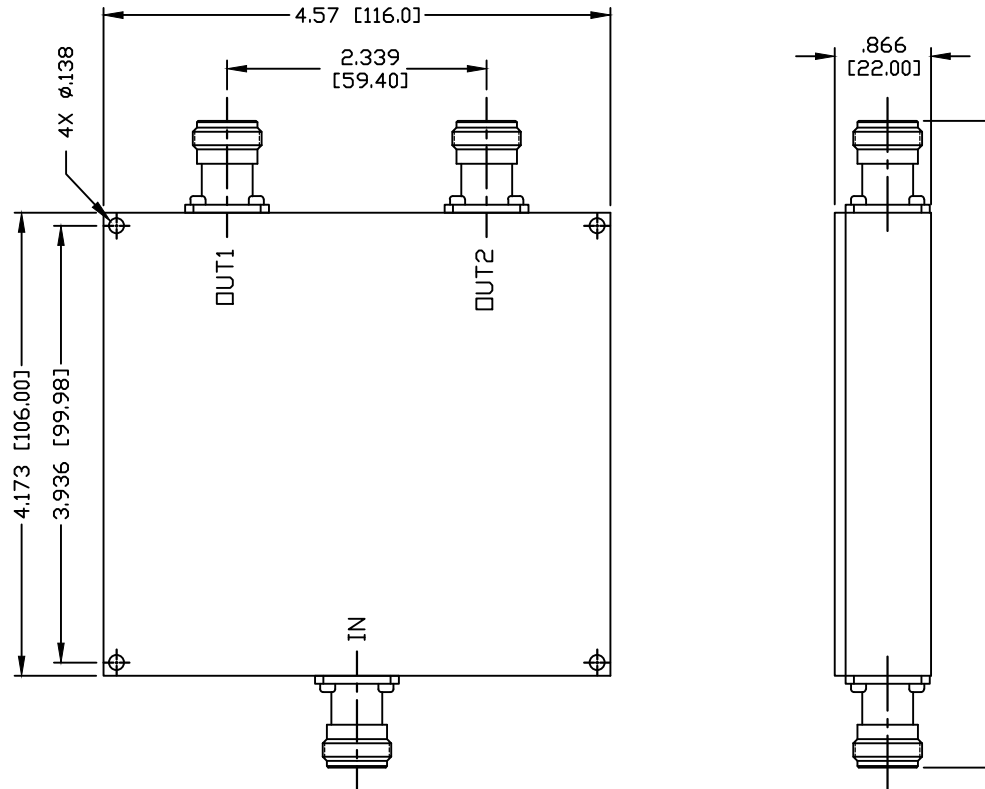


PART NO.

**RFPSW-2PS-NF**

REV	DESCRIPTION	DWN	DATE	APPROVED
A	UPDATED PART DESCRIPTION IN TB	CZS	04/29/19	JDMc

**SPECIFICATIONS:**

IMPEDANCE: 50 Ohms  
 FREQUENCY RANGE: 138–960 MHz  
 INPUT PORT NUMBER: 1  
 OUTPUT PORT NUMBER: 2  
 SPLIT LOSS: 3 dB  
 INSERTION LOSS:  $\leq 0.7$ dB  
 VSWR:  $\leq 1.3$   
 TOTAL INPUT POWER: 50W  
 TEMPERATURE RANGE:  $-30^{\circ}\text{C} \sim +70^{\circ}\text{C}$   
 APPLICATION: INDOOR/OUTDOOR  
 REGULATORY COMPLIANCE/CERTIFICATIONS: IP65

**NOTES:**

ALL CONNECTORS WILL HAVE PROTECTIVE CAPS ON

CUSTOMER OUTLINE DRAWING ALL DIMENSIONS ARE REFERENCE ONLY		<b>RoHS</b> <b>COMPLIANT</b>		<b>RFconnectors</b> DIVISION OF RF INDUSTRIES, LTD.		7610 MIRAMAR RD. SAN DIEGO, CA 92126 (858) 549-6340 (858) 549-6345 FAX	
UNLESS OTHERWISE SPECIFIED: DIMENSIONS ARE IN INCHES AND [MILLIMETERS]		PROPRIETARY AND CONFIDENTIAL THIS DRAWING CONTAINS INFORMATION PROPRIETARY TO RF INDUSTRIES. ANY UNAUTHORIZED USE OF THIS DRAWING IS EXPRESSLY PROHIBITED WITHOUT WRITTEN PERMISSION FROM RF INDUSTRIES. ANY VIOLATION IS PUNISHABLE UNDER U.S. COPYRIGHT LAWS.		<b>N FEMALE 2 WAY POWER SPLITTER            WILKINSON - PUBLIC SAFETY</b>			
DRAWN C. ZUNIGA	04/29/19	SIZE A	CABLE GROUP	DWG NO. <b>RFPSW-2PS-NF</b>	REVISION A		
ORJ DRAWN C. ZUNIGA	03/07/19	SCALE: NTS	ENGINEERING ID: 000000	SHEET 1 OF 1			