

Application

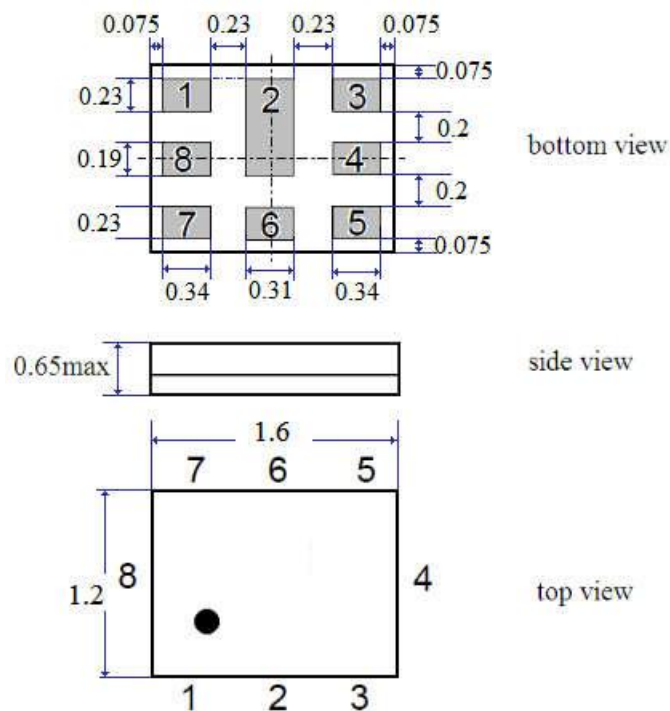
- ❖ Low-loss Saw Duplexer for mobile telephone LTE and WCDMA Band1 systems.
- ❖ Low insertion attenuation and low passband ripple.
- ❖ Usable passband 60 MHz
- ❖ High isolation between Tx and Rx.

Electrical Specifications

Parameters			Specification	Unit	
Tx to ANT	Insertion Loss, typ/max		1920 ~ 1980 MHz	1.7 / 2.0	dB
	Pass Band Ripple, typ/max		1920 ~ 1980 MHz	0.5 / 1.5	dB
	VSWR, typ/max	ANT	1920 ~ 1980 MHz	1.6 / 2.0	-
		Tx	1920 ~ 1980 MHz	1.6 / 2.0	-
	Input Power (+50°C, 5000h, CW)		1920 ~ 1980 MHz	30	dBm
	Attenuation, min/typ		10 ~ 494 MHz	40 / 45	dB
			814 ~ 894 MHz	30 / 36	dB
			880 ~ 915 MHz	30 / 35	dB
			925 ~ 960 MHz	30 / 35	dB
			1226 ~ 1250 MHz	30 / 35	dB
			1427.9 ~ 1462.9 MHz	30 / 42	dB
			1475 ~ 1511 MHz	34 / 45	dB
			1559 ~ 1606 MHz	43 / 54	dB
			1805 ~ 1880 MHz	18 / 22	dB
			2010 ~ 2025 MHz	15 / 24	dB
			2110 ~ 2170 MHz	44 / 54	dB
2300 ~ 2400 MHz			38 / 42	dB	
2400 ~ 2500 MHz			24 / 36	dB	
2620 ~ 2690 MHz			29 / 32	dB	
4900 ~ 5950 MHz	17 / 28	dB			
ANT to Rx	Insertion Loss, typ/max		2110 ~ 2170 MHz	2.0 / 2.5	dB
	Pass Band Ripple, typ/max		2110 ~ 2170 MHz	1.0 / 1.5	dB
	VSWR, typ/max	ANT	2110 ~ 2170 MHz	1.8 / 2.2	-
		Rx	2110 ~ 2170 MHz	1.8 / 2.2	-
	Attenuation, min/typ		10 ~ 718 MHz	50 / 56	dB
			718 ~ 748 MHz	40 / 55	dB
			814 ~ 849 MHz	40 / 54	dB
			880 ~ 915 MHz	40 / 52	dB
			1427 ~ 1463 MHz	39 / 47	dB
			1710 ~ 1785 MHz	33 / 44	dB
			1920 ~ 1980 MHz	45 / 48	dB
2300 ~ 2400 MHz			26 / 34	dB	
2400 ~ 2500 MHz			30 / 37	dB	
2500 ~ 2570 MHz	38 / 42	dB			
4900 ~ 5950 MHz	27 / 35	dB			
Tx to Rx	Isolation, min/typ		1574 ~ 1577 MHz	40 / 62	dB
			1920 ~ 1980 MHz	54 / 58	dB

		2110 ~ 2170 MHz	55 / 60	dB
		3830 ~ 3970 MHz	20 / 48	dB
		5750 ~ 5950 MHz	20 / 56	dB
DC Voltage			3	V
ESD Voltage ESD (MM)			50	V
Sensitive Discharge Device ESD (HBM)			175	V
Operating Temperature Range			-30 ~ +85	°C
Storage Temperature Range			-40 ~ +85	°C
MSL			2	-

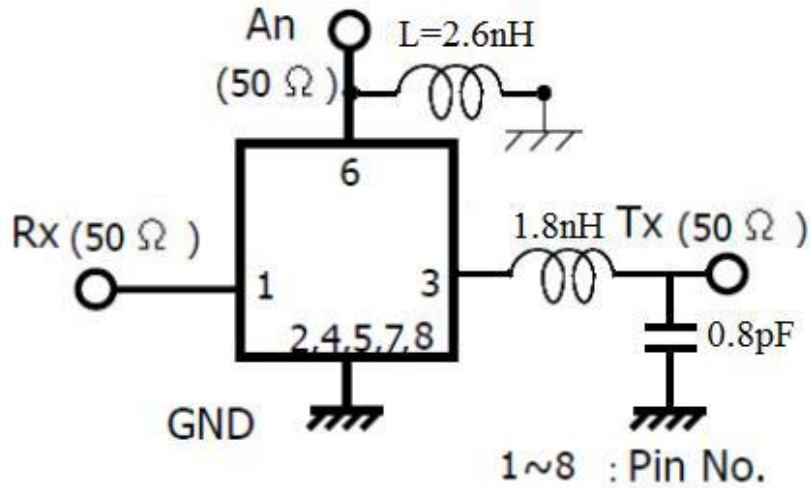
Dimension



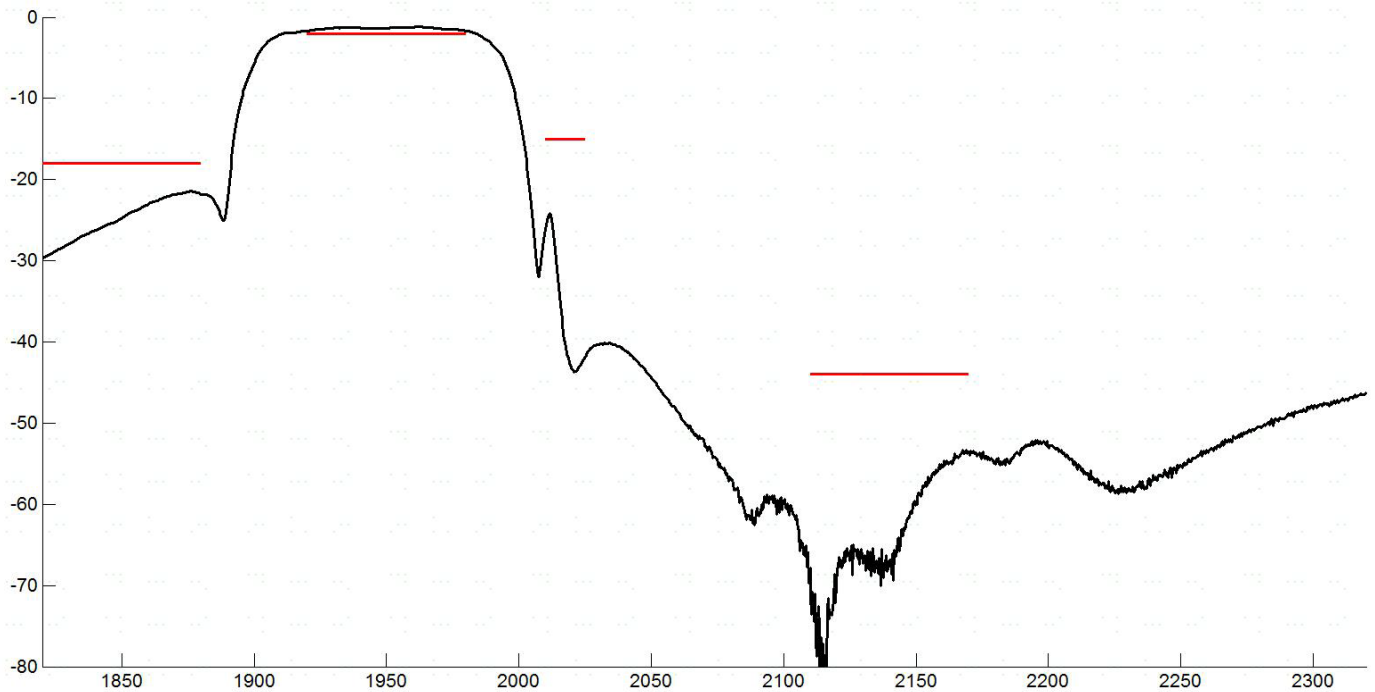
PIN	SYMBOL	FUNCTION
1	Rx	Rx Output
2,4,5,7,8	GND	Ground
3	Tx	Tx Input
6	ANT	Antenna

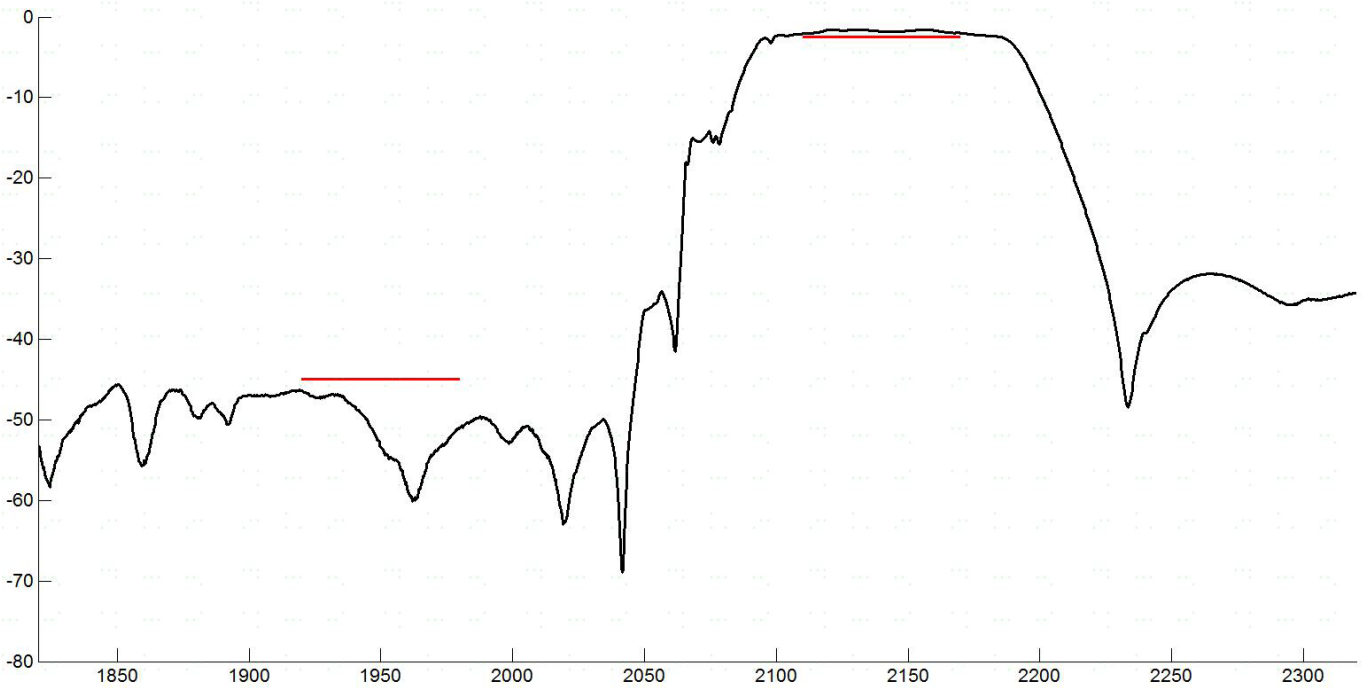
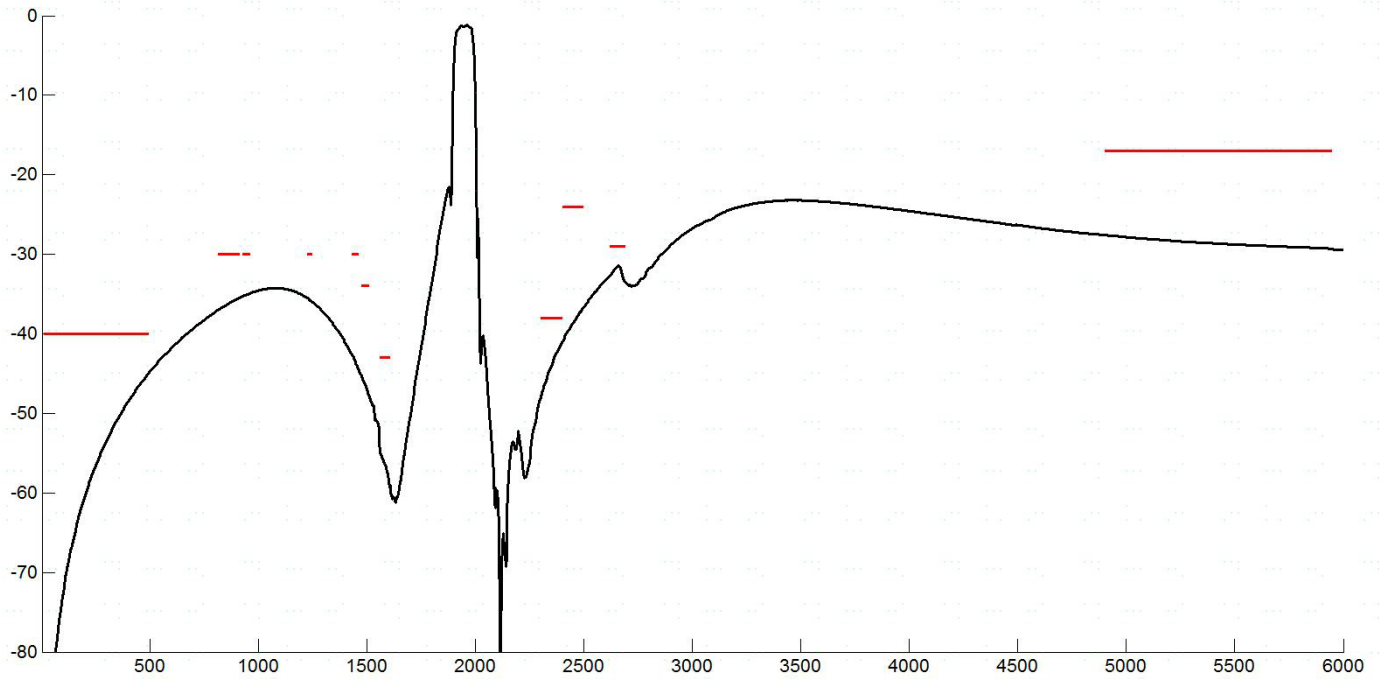
Unit : mm

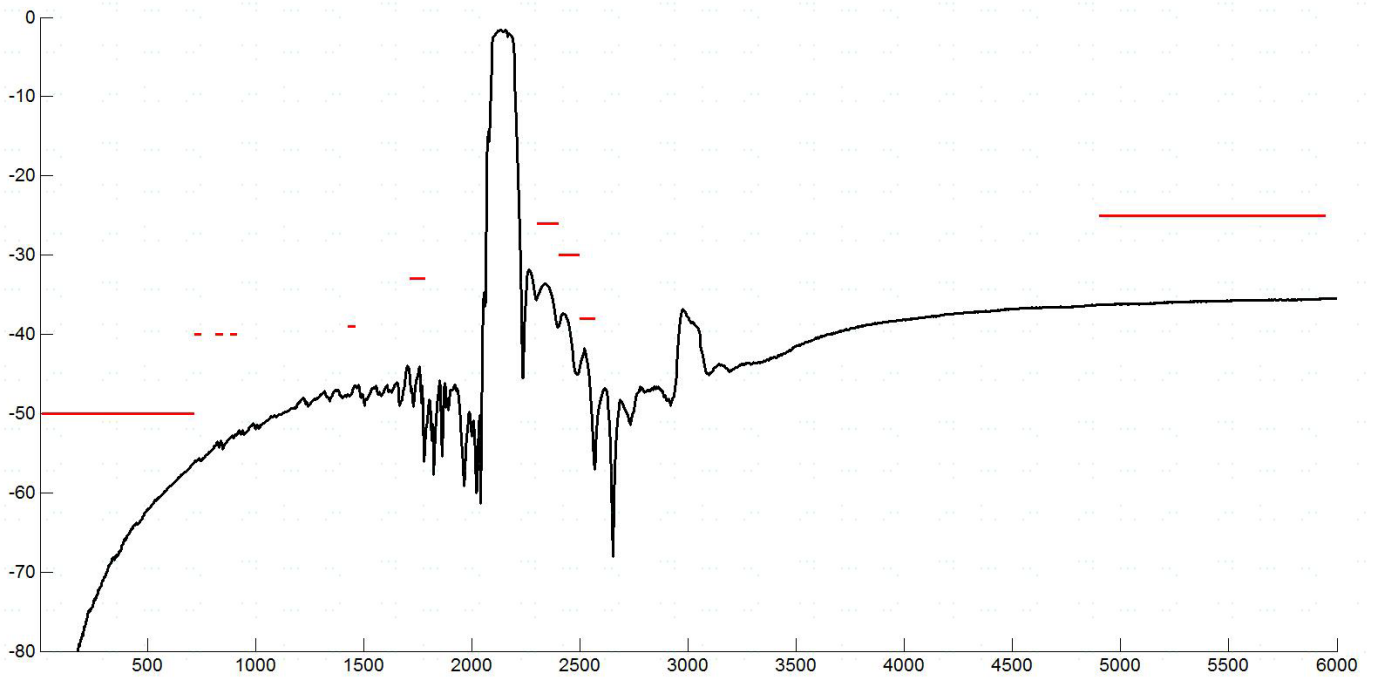
Test Circuit



Frequency Characteristics







● APPROVAL

DRAWN BY	AR, August 19, 2021
APPROVED BY	CP, August 19, 2021
REVISION	A, Initial Release



Raltron Electronics / RAMI Technology USA, LLC, including its affiliates, employees, agents and other persons acting on its behalf (collectively Raltron/RAMI Tech), disclaim any and all liability for any errors or inaccuracies contained in this data sheet. While Raltron/RAMI Tech has made every reasonable effort ensure the accuracy of all product information, specifications and data contained herein, Raltron/RAMI Tech does not guarantee that the information is accurate, reliable or current. The product information is provided only for reference purposes only and is subject to change, correction or revision, at any time without notice. Raltron/RAMI Tech does not assume any liability arising out of an application or use of any product described herein and disclaims any warranties expressed or implied. The user of products in such applications shall assume all risks of such use and will agree to hold Raltron/RAMI Tech, harmless against all damages.

Copyright © 2016, Raltron Electronics / RAMI Technology USA, LLC. All rights reserved. No part of this document may be reproduced in any form without the prior written permission of Raltron Electronics / RAMI Technology USA, LLC.