



Diplexer 75 Ohm Type F Female, 20 to 862 MHz
Low Pass, 950 to 2300 MHz High Pass

RF Diplexers Technical Data Sheet

PE8DP1002

Features

- Frequency range from 20 to 2300 MHz
- High pass band: 950 to 2300 MHz
- Low pass band: 20 to 862 MHz
- Max insertion loss 2.6 dB
- 75ohm impedance
- Max VSWR 1.93:1

Applications

- Cable TV/Internet
- Signal Splitting
- Broadcast TV
- MSO

Description

PE8DP1002 is a RF diplexer with F-type connectors used to split RF signals with different frequencies. The operating frequency range for this diplexer is from 20 to 2300 MHz. The high pass band is from 950 to 2300 MHz and low pass band is from 20 to 862 MHz. This RF diplexer has great insertion loss of 1 dB and minimum return loss of 10 dB with 75ohm impedance. PE8DP1002 is part of a broad RF product portfolio from Pasternack which can be shipped the same day with no MOQ.

Electrical Specifications

Description	Minimum	Typical	Maximum	Units
Impedance		75		Ohms
Common Port				
Frequency	20		2,300	MHz
LPF Port				
Passband Frequency	20		862	MHz
Return Loss	10	12		dB
Insertion Loss		1	2.6	dB
Rejection Frequency	950		2,300	MHz
Rejection	20	50		dB
DC Block			50	V
HPF Port				
Passband Frequency	950		2,300	MHz
Return Loss	10	12		dB
Insertion Loss		1	2.6	dB
Rejection Frequency	20		862	MHz
Rejection	20	40		dB
DC Passing			16.6	ma/V

Electrical Specification Notes:
Values at 25°C, sea level.

Click the following link (or enter part number in "SEARCH" on website) to obtain additional part information including price, inventory and certifications: [Diplexer 75 Ohm Type F Female, 20 to 862 MHz Low Pass, 950 to 2300 MHz High Pass PE8DP1002](#)



Diplexer 75 Ohm Type F Female, 20 to 862 MHz
Low Pass, 950 to 2300 MHz High Pass

RF Diplexers Technical Data Sheet

PE8DP1002

Mechanical Specifications

Size

Length	2.106 in [53.49 mm]
Width	1.791 in [45.49 mm]
Height	0.709 in [18.01 mm]
Weight	0.103 lbs [46.72 g]
Body Material	Zinc
Body Plating	Zinc
Finish	Polished

Configuration

Design	Bidirectional
Package Style	Connectorized
Connector 1	F Female
Connector 2	F Female
Connector 3	F Female

Environmental Specifications

Compliance Certifications (see [product page](#) for current document)

Plotted and Other Data

Notes:

- Values at 25°C, sea level.

Diplexer 75 Ohm Type F Female, 20 to 862 MHz Low Pass, 950 to 2300 MHz High Pass from Pasternack Enterprises has same day shipment for domestic and International orders. Our RF, microwave and millimeter wave products maintain a 99.4% availability and are part of the broadest selection in the industry.

Click the following link (or enter part number in "SEARCH" on website) to obtain additional part information including price, inventory and certifications: [Diplexer 75 Ohm Type F Female, 20 to 862 MHz Low Pass, 950 to 2300 MHz High Pass PE8DP1002](#)

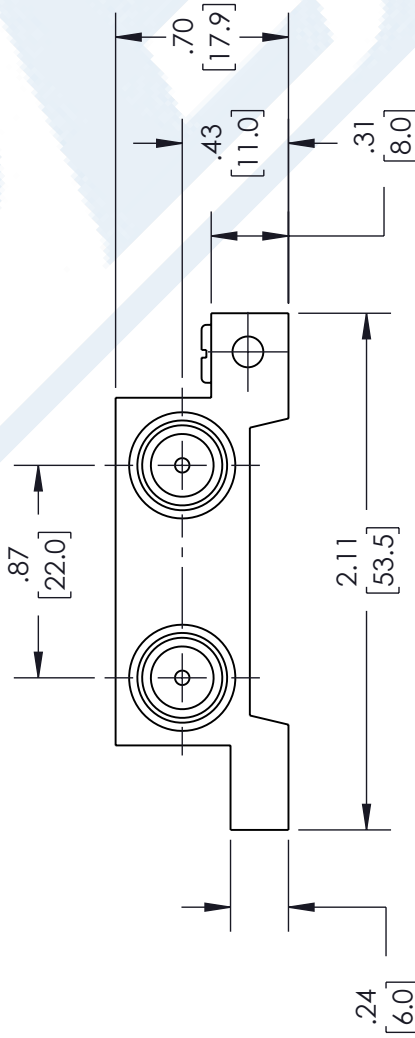
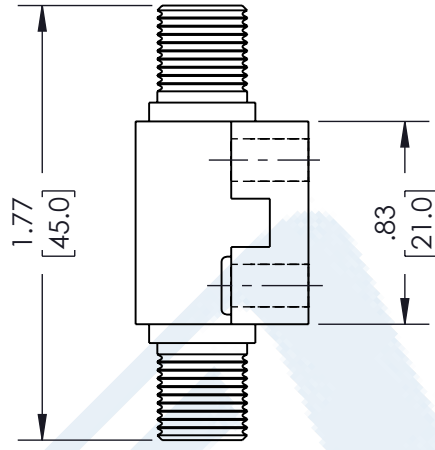
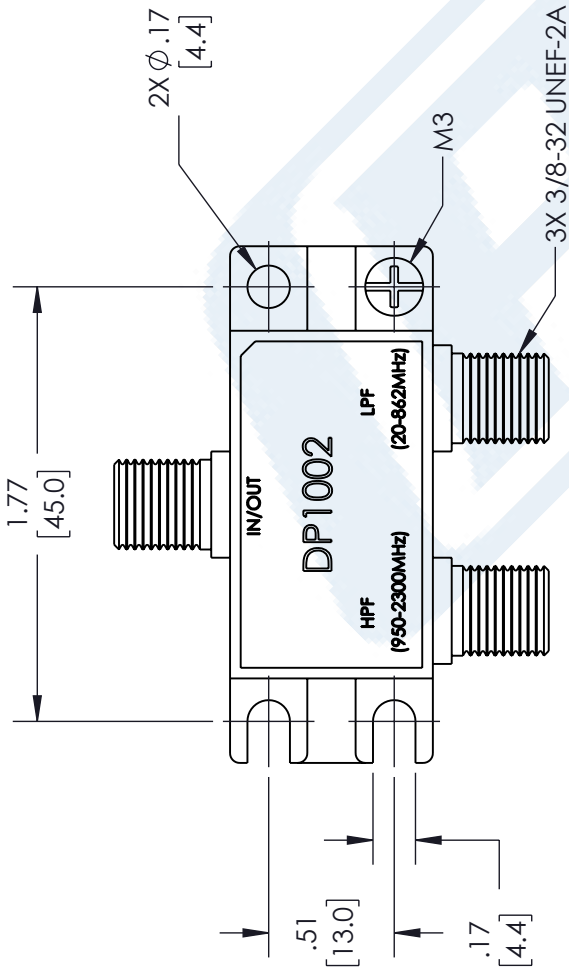
URL:

The information contained in this document is accurate to the best of our knowledge and representative of the part described herein. It may be necessary to make modifications to the part and/or the documentation of the part, in order to implement improvements. Pasternack reserves the right to make such changes as required. Unless otherwise stated, all specifications are nominal. Pasternack does not make any representation or warranty regarding the suitability of the part described herein for any particular purpose, and Pasternack does not assume any liability arising out of the use of any part or documentation.

PE8DP1002 CAD Drawing

Diplexer 75 Ohm Type F Female, 20 to 862 MHz Low Pass, 950 to 2300 MHz High Pass

REVISIONS		
REV.	DESCRIPTION	DATE
A	INITIAL RELEASE	11/02/22
		APPROVED
		SPONG



UNLESS OTHERWISE SPECIFIED
LEADING DIMENSIONS ARE INCHES
DIMENSIONS IN [] ARE MILLIMETERS

TOLERANCES:
 .X = ±.2 [5.08] FRACTIONS ± 1/32
 .XX = ±.02 [.51] ANGLES ± 1°
 .XXX = ±.005 [.13]

CABLE LENGTH (L), TOLERANCES:
 L ≤ 12 [305] = +1 [25] / -0
 12 [305] < L ≤ 60 [1524] = +2 [51] / -0
 60 [1524] < L ≤ 120 [3048] = +4 [102] / -0
 120 [3048] < L ≤ 300 [7620] = +6 [152] / -0
 300 [7620] < L = +5% / -0

ALL DIMENSIONS SHOWN
ARE FOR REFERENCE ONLY.

PE PASTERNAK
an INFINITI brand

Pasternack Enterprises, Inc.
P. O. Box 16759, Irvine, CA 92623.
Phone: 1.949.261.1920 | 1.866.727.8376
Fax: 1.949.261.7451
Website: www.pasternack.com
E-mail: sales@pasternack.com

THIRD-ANGLE PROJECTION

THE INFORMATION AND DESIGN IN THIS DOCUMENT IS THE PROPERTY OF PASTERNAK CORPORATION ALL RIGHTS RESERVED.

SHEET 1 OF 1

SCALE N/A

REV A

ITEM NO. PE8DP1002

DRAWN BY VTHANGARAJ

CAGE CODE 53919