



Double Balanced Mixer Operating from 40 MHz to 2.5 GHz with an IF Range from DC to 1 GHz and LO Power of +13 dBm, SMA

## Mixers Technical Data Sheet

PE86X1019

### Features

- Broadband Double Balanced Mixer Design
- High Linearity
- LO & RF Frequency Range: 40 MHz to 2500 MHz
- IF Frequency Range: DC to 1000 MHz
- LO Drive Level Range: +10 dBm to +16 dBm
- Schottky Ring Quad Diodes with Optimized Balun Structures
- Conversion Loss: 8 dB typ
- High Port Isolations up to 47 dB typ
- High Input IP3 Level: +26 dBm
- RF Input Up to +9 dBm
- SMA Connectors
- Operating Temperature Range: -40°C to +85°C
- Designed to Meet MIL-STD-202 Environmental Test Conditions

### Applications

- Electronic Warfare
- Point-to-Point Radios
- Point-to-Multipoint Radios
- VSAT
- Radar
- Space Systems
- Test Instrumentation
- Sensors
- Telecom Infrastructure
- Military End-Use

### Description

The PE86X1019 is a broadband Double Balanced Mixer that operates across an RF and LO frequency range from 40 MHz to 2500 MHz with an IF frequency range of DC to 1000 MHz and supports an LO drive level range from +10 to +16 dBm, with +13 dBm nominal. The design utilizes Schottky Ring Quad Diodes with optimized balun structures and exhibits highly linear performance. Exceptional typical performance includes Conversion Loss of 8 dB, RF to LO and LO to IF isolation levels up to 47 dB, and a high input IP3 level of +26 dBm. The 50 ohm hybrid module does not require any external components or matching circuitry. The rugged compact package assembly supports female SMA connectors, operates over a temperature range of -40°C to +85°C, and is designed to meet MIL-STD-202 environmental test conditions for Humidity, Shock, Vibration, and Altitude for high reliability.

### Electrical Specifications

Description	Minimum	Typical	Maximum	Units
RF Frequency Range	0.04		2.5	GHz
LO Frequency Range	0.04		2.5	GHz
IF Frequency Range	DC		1,000	MHz
Impedance		50		Ohms
Conversion Loss		8	9.5	dB
LO to RF Isolation	22	37		dB
LO to IF Isolation	20	35		dB
RF Port VSWR		2:1	2.5:1	
IF Port VSWR		1.5:1	2:1	
Input at 3rd Order Intercept Point	+23	+26		dBm
RF Input Power			+9	dBm
LO Input Power		+13		dBm

Click the following link (or enter part number in "SEARCH" on website) to obtain additional part information including price, inventory and certifications: [Double Balanced Mixer Operating from 40 MHz to 2.5 GHz with an IF Range from DC to 1 GHz and LO Power of +13 dBm, SMA PE86X1019](#)



Double Balanced Mixer Operating from 40 MHz to 2.5 GHz with an IF Range from DC to 1 GHz and LO Power of +13 dBm, SMA

Mixers Technical Data Sheet

PE86X1019

**Absolute Maximum Rating**

Parameter	Rating	Units
RF Power	+23	dBm
Peak IF Current	40	mA
Operating Temperature	-40 to +85	°C
Storage Temperature	-55 to +100	°C



ESD Sensitive Material,  
Transport material in  
Approved ESD bags.  
Handle only in approved  
ESD Workstation.

**Mechanical Specifications**

**Configuration**

Design	Double Balanced
Package Type	Connectorized
RF Connector	SMA Female
LO Connector	SMA Female
IF Connector	SMA Female

**Environmental Specifications**

**Temperature**

Operating Range	-40 to +85 deg C
Storage Range	-55 to +100 deg C

Humidity	MIL-STD-202F, Method 103B, Condition B
Shock	MIL-STD-202F, Method 213B, Condition B
Vibration	MIL-STD-202F, Method 204D, Condition B
Altitude	MIL-STD-202F, Method 105C, Condition B

**Compliance Certifications** (see [product page](#) for current document)

**Plotted and Other Data**

Notes:

Click the following link (or enter part number in "SEARCH" on website) to obtain additional part information including price, inventory and certifications: [Double Balanced Mixer Operating from 40 MHz to 2.5 GHz with an IF Range from DC to 1 GHz and LO Power of +13 dBm, SMA PE86X1019](#)

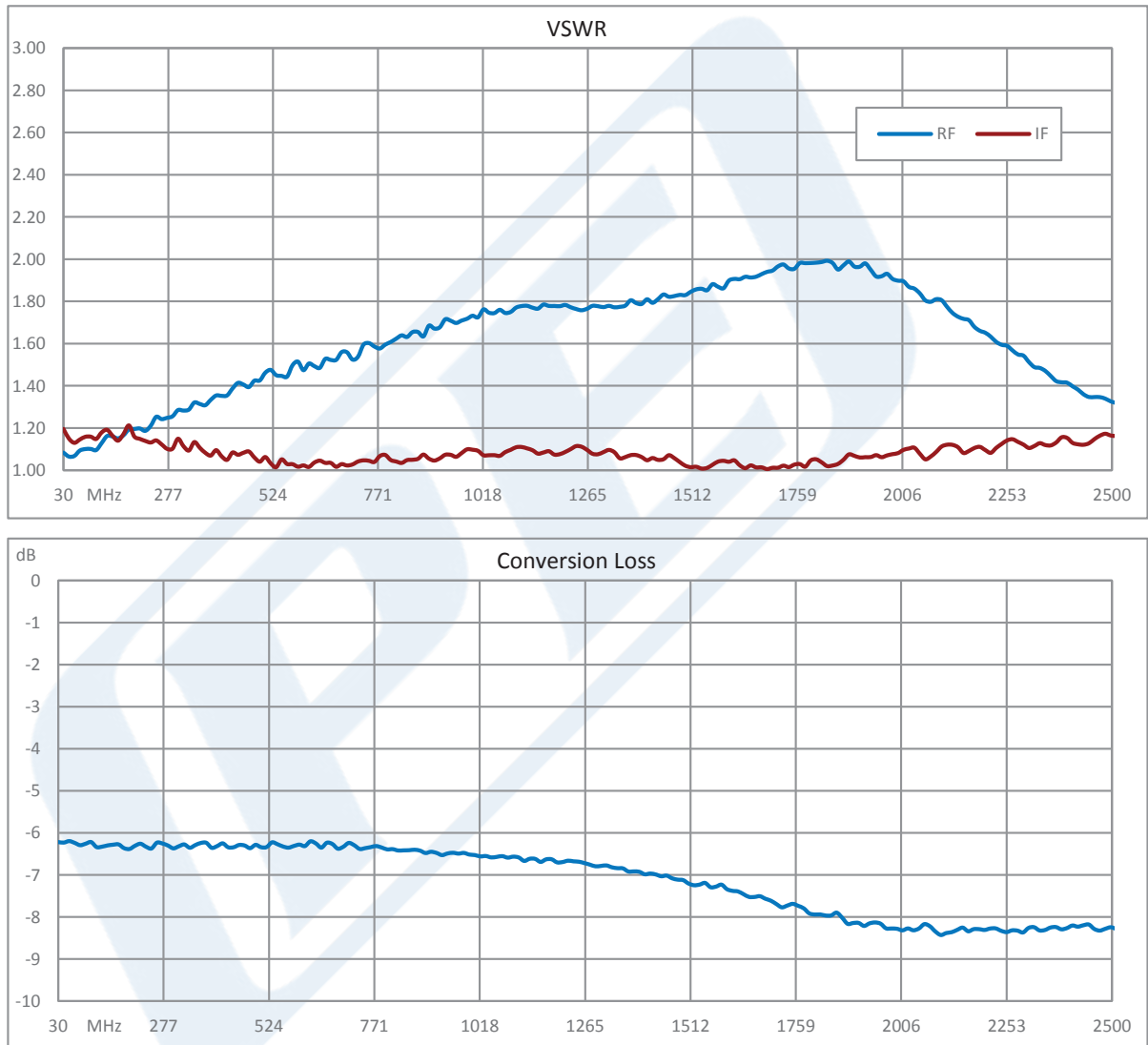


Double Balanced Mixer Operating from 40 MHz to 2.5 GHz with an IF Range from DC to 1 GHz and LO Power of +13 dBm, SMA

Mixers Technical Data Sheet

PE86X1019

Typical Performance Data



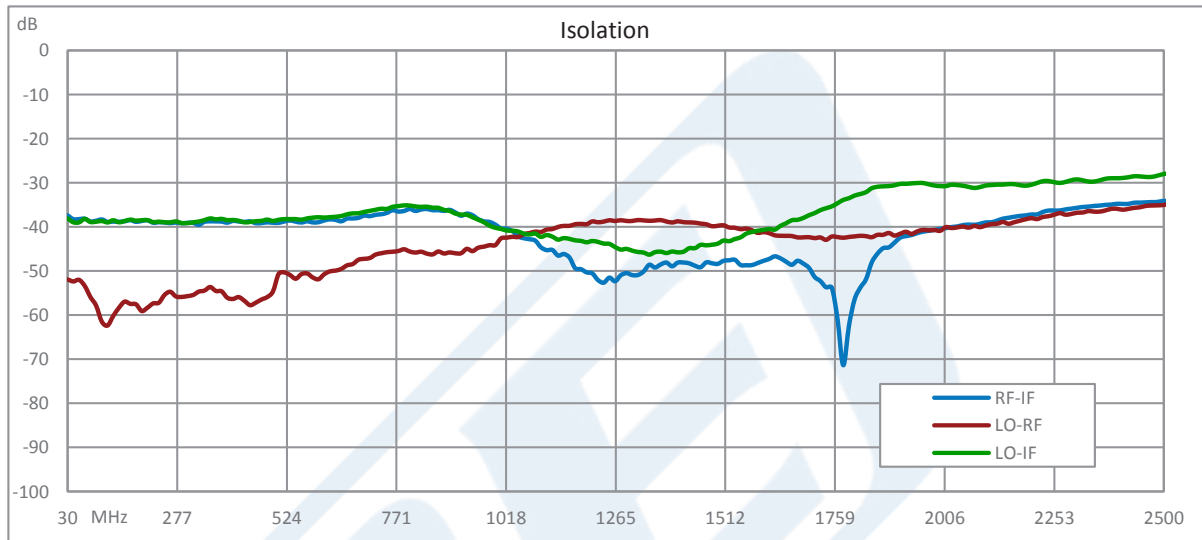
Click the following link (or enter part number in "SEARCH" on website) to obtain additional part information including price, inventory and certifications: [Double Balanced Mixer Operating from 40 MHz to 2.5 GHz with an IF Range from DC to 1 GHz and LO Power of +13 dBm, SMA PE86X1019](#)



Double Balanced Mixer Operating from 40 MHz to 2.5 GHz with an IF Range from DC to 1 GHz and LO Power of +13 dBm, SMA

## Mixers Technical Data Sheet

PE86X1019



Double Balanced Mixer Operating from 40 MHz to 2.5 GHz with an IF Range from DC to 1 GHz and LO Power of +13 dBm, SMA from Pasternack Enterprises has same day shipment for domestic and International orders. Our RF, microwave and millimeter wave products maintain a 99.4% availability and are part of the broadest selection in the industry.

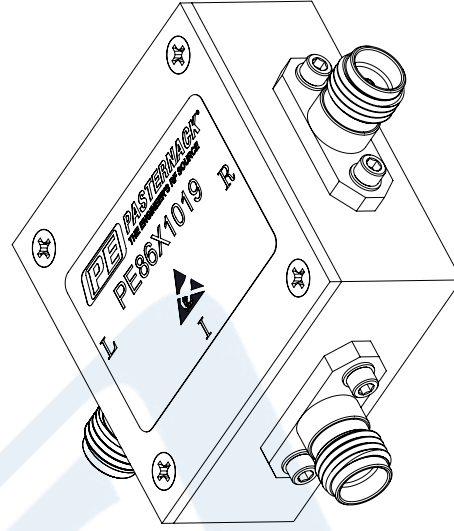
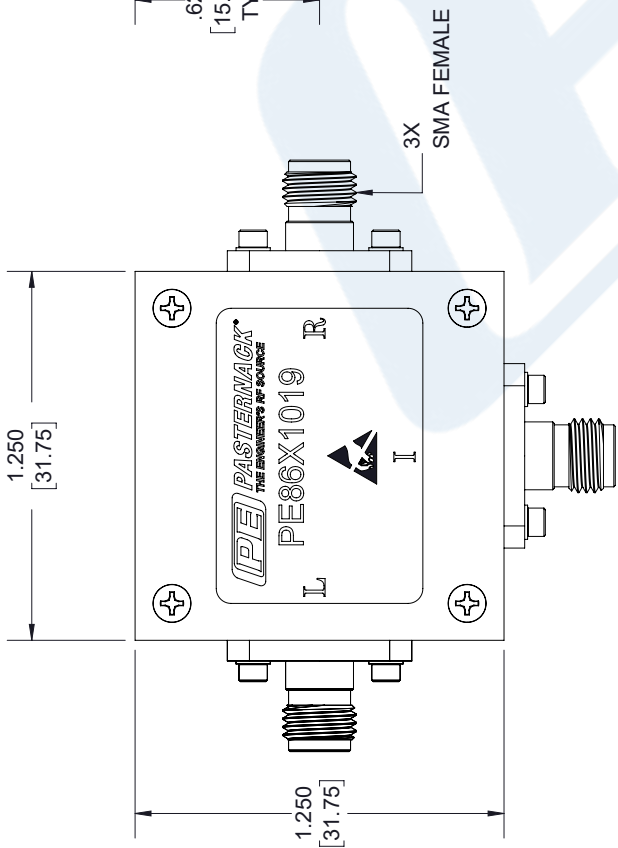
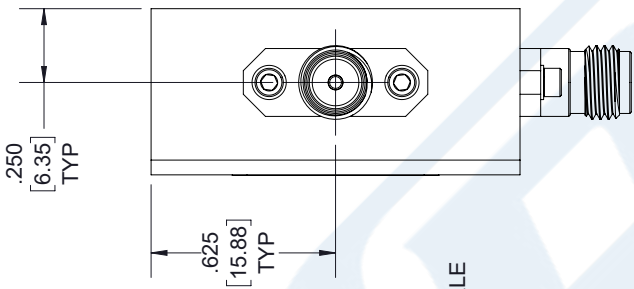
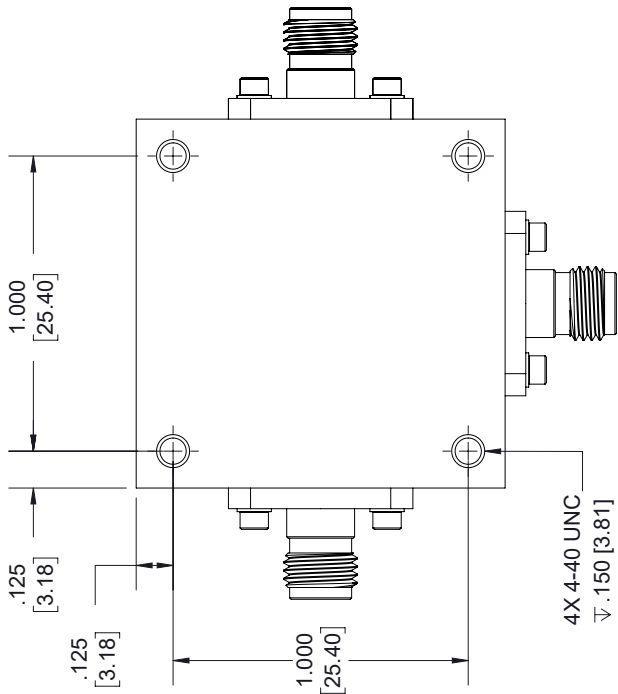
Click the following link (or enter part number in "SEARCH" on website) to obtain additional part information including price, inventory and certifications: [Double Balanced Mixer Operating from 40 MHz to 2.5 GHz with an IF Range from DC to 1 GHz and LO Power of +13 dBm, SMA PE86X1019](https://www.pasternack.com/sma-mixer-40-mhz-2.5-ghz-if-dc-1000-mhz-pe86x1019-p.aspx)

URL: <https://www.pasternack.com/sma-mixer-40-mhz-2.5-ghz-if-dc-1000-mhz-pe86x1019-p.aspx>

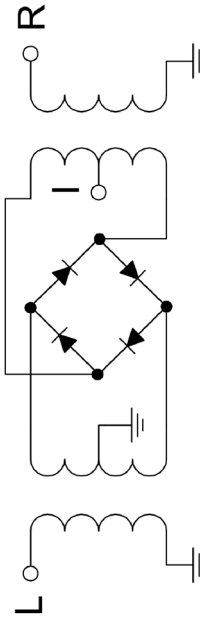
The information contained in this document is accurate to the best of our knowledge and representative of the part described herein. It may be necessary to make modifications to the part and/or the documentation of the part, in order to implement improvements. Pasternack reserves the right to make such changes as required. Unless otherwise stated, all specifications are nominal. Pasternack does not make any representation or warranty regarding the suitability of the part described herein for any particular purpose, and Pasternack does not assume any liability arising out of the use of any part or documentation.

# PE86X1019 CAD Drawing

Double Balanced Mixer Operating from 40 MHz to 2.5 GHz with an IF Range from DC to 1 GHz and LO Power of +13 dBm, SMA



## SCHEMATIC



STANDARD TOLERANCES	
.X	$\pm 0.2$
.XX	$\pm 0.01$
.XXX	$\pm 0.005$

\*STANDARD TOLERANCES APPLY ONLY TO DIMENSIONS IN INCHES



Pasternack Enterprises, Inc.  
 P.O. Box 16759 | Irvine | CA | 92623  
 Phone: (949) 261-1920 | Fax: (949) 261-7451  
 Website: www.pasternack.com | E-Mail: sales@pasternack.com

DWG TITLE

PE86X1019

CAGE CODE 53919

NOTES:  
 1. UNLESS OTHERWISE SPECIFIED ALL DIMENSIONS ARE NOMINAL.  
 2. ALL SPECIFICATIONS ARE SUBJECT TO CHANGE WITHOUT NOTICE AT ANY TIME.  
 3. DIMENSIONS ARE IN INCHES [mm].

CAD FILE 04/26/18

SCALE N/A

SIZE A

7361