

THCS254

IOHA:B 8B10B Serial Transceiver

1. Overview

The THCS254 is a transceiver IC with serializer and deserializer on a single chip that aggregates 20-bit GPIO and 2-wire serial interface signals and converts them into two pairs of differential signals for transmission and reception.

The THCS254 has two modes: SYNC mode and ASYNC mode. In SYNC mode, the uplink and downlink high-speed transmission signals operate synchronously, driven by the reference clock signal from the primary chip side. In ASYNC mode, the uplink and downlink high-speed transmission signals operate asynchronously, driven by the clock signals from both the primary and secondary chips. The reference clock can be selected from either the internal OSC clock or the external input clock.

By accessing internal registers via the 2-wire serial interface, the 20-bit GPIO direction and output buffer type can be customized for each pin.

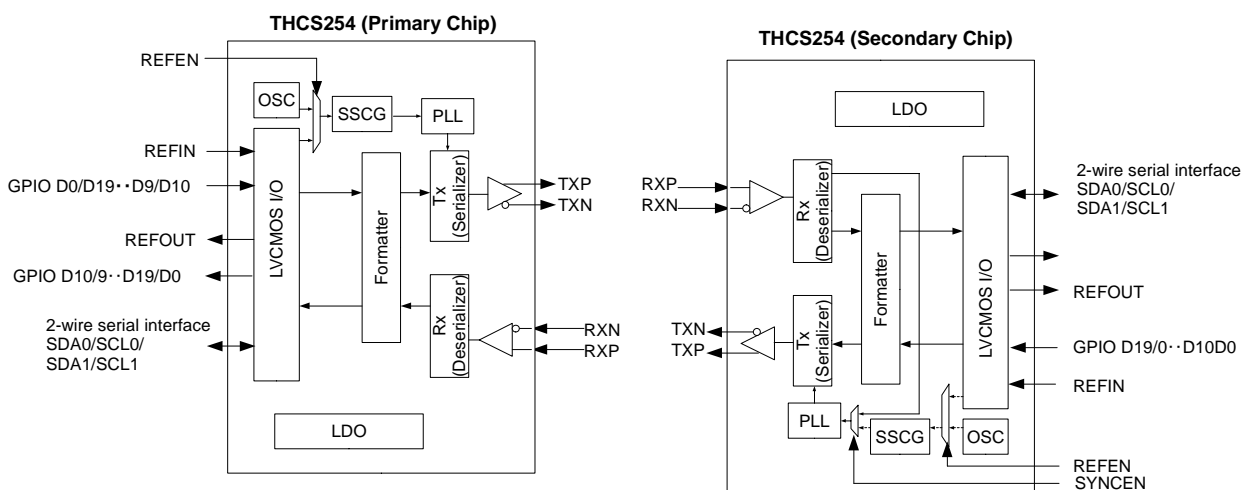
The 8B10B encoding and decoding used in the THCS254 provides high robustness, DC balanced signals, and easy connection to optical/wireless communication devices.

The built-in adaptive equalizer allows for flexible cable selection, and the CML driver with pre-emphasis allows for even longer cable transmissions.

2. Features

- Up to 20-bit GPIOs
- Internal oscillator mode requires no external clock signal input
- Uplink and downlink synchronous mode with one-sided reference clock drive
- Uplink and downlink asynchronous mode with both side reference clocks driven
- Output buffer selectable between open-drain and push-pull
- 2-wire serial interface fast mode can be bridged
- Standby mode for low-power operation
- Adaptive equalizer supports high-loss transmission media
- 8B10B encoding/decoding
- Digital noise filters can be set for input and output
- Error detection and notification
- External reference clock frequency: 15-133.3MHz
- Built-in spread spectrum clock generator
- Single power supply operation: 1.7 V - 3.6 V
- Operating ambient temperature range: -40°C to 85°C

3. Block diagram

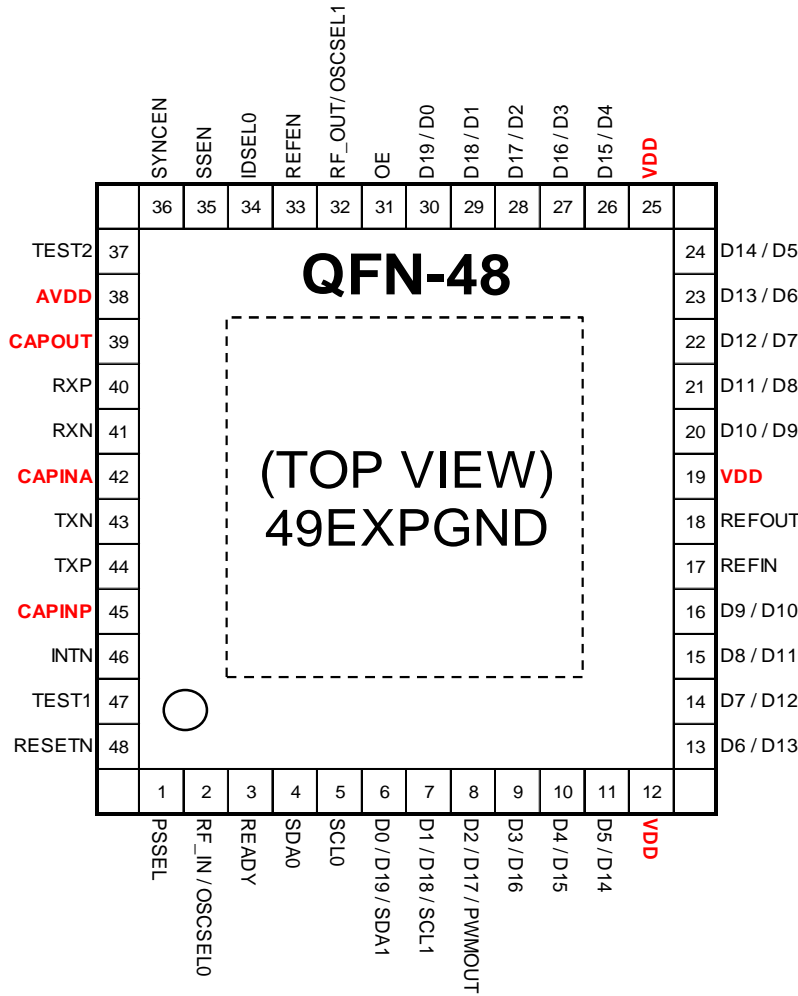


Contents

1. Overview	1
2. Features	1
3. Block diagram	1
4. Pin configuration	4
5. Pin description	5
6. Absolute maximum rating	8
7. Recommended operating conditions	8
8. Electrical characteristics	9
8.1. Current consumption	9
8.2. LVCMOS/Analog input DC specifications	11
8.3. LVCMOS AC characteristics	12
8.4. CML DC characteristics	16
8.5. CML AC characteristics	16
8.6. 2-wire serial interface DC/AC characteristics	20
9. CML Line diagram	21
9.1. CML input diagram	21
10. Function	22
10.1. Function overview	22
10.2. Power supply	22
10.2.1. Internal regulator output/input function (CAPOUT, CAPINA, CAPINP)	22
10.3. Chip Operating state	23
10.4. Chip operation mode	23
10.4.1. Chip configuration	23
10.4.2. Operating clock mode select	24
10.4.3. Operating clock select	24
10.4.4. Combination of operating modes	26
10.5. Pin setting and combination of chip mode	29
10.6. REFIN frequency range and Internal OSC frequency	30
10.7. 2-wire serial interface	31
10.7.1. 2-wire serial interface setting	31
10.7.2. Clock stretching	32
10.7.3. Device Address	32
10.7.4. 2-wire serial controller / target register address space	32
10.7.5. 2-wire serial controller SCL frequency	33

10.7.6.	2-wire serial interface watch dog timer setting.....	33
10.7.7.	THCS254 internal register access protocol via 2-wire serial interface.....	34
10.7.8.	2-wire serial expander	41
10.8.	Direction of GPIO	42
10.9.	IO configuration	44
10.9.1.	I/O digital noise filter	44
10.9.2.	LVC MOS Output buffer type configuration.....	46
10.9.3.	5V tolerant IO.....	47
10.9.4.	LVSMOS Output drive strength setting.....	47
10.9.5.	CML output swing voltage and pre-emphasis setting.....	47
10.10.	Clock configuration	48
10.10.1.	Sampling clock select.....	48
10.10.2.	Clock edge select (RF_IN, RF_OUT)	49
10.11.	Spread spectrum clock generator and REFIN(pin) frequency.....	50
10.12.	PWM signal output function	51
10.13.	CRC.....	51
10.14.	Error detection and notification.....	52
10.14.1.	READY signal.....	52
10.14.2.	INTN signal.....	52
10.15.	Standby mode: STANDBY(register)=1.....	53
11.	Register map.....	55
12.	Package.....	59
13.	Reference land pattern.....	60
14.	Notices and Requests.....	61

4. Pin configuration



5. Pin description

Pin Name	No.	Type	Description
TXP	44	CO	Differential P-ch output
TXN	43	CO	Differential N-ch output
RXP	40	CI	Differential P-ch input
RXN	41	CI	Differential N-ch input
RESETN	48	IL	Chip reset 0: Chip reset 1: Chip operation
PSEL	1	IL	Chip mode select *Refer to SYNCEN 0: Primary chip mode 1: Secondary chip mode
SYNCEN	36	IL	Link mode select When PSEL=0 disable When PSEL=1 enable 0: AYNC mode Driven by primary/secondary chip reference clocks 1: SYNC mode Driven by primary chip reference clock
REFEN	33	I L	Reference clock select 0: Internal oscillator clock 1: External reference clock
IDSEL0	34	IL	2-wire serial interface device address select *Refer to Table 13
RF_IN/ OSCSEL0	2	IL	RF_IN: Input clock edge select 0: Rising edge 1: Falling edge OSCSEL0: Internal oscillator clock select *Refer to Table 9
RF_OUT/ OSECSEL1	32	IL	Output clock edge select 0: Rising edge 1: Falling edge OSECSEL1: Internal oscillator clock select *Refer to Table 9
SDA0	4	BL	SDA0: SDA for 2-wire serial interface 0
SCL0	5	BL	SCL0: SCL for 2-wire serial interface 0
SSEN	35	IL	Spread spectrum clock generator 0: SSCG PLL disable 1: SSCG PLL enable
OE	31	IL	Output enable 0: LVCMOS output Hi-Z 1: LVCMOS output enable
REFIN	17	B	REFIN : External input clock
REFOUT	18	O	Pixel clock output
READY	3	B	CML Link state 0: Unlock 1: Lock

INTN	46	BO	Interrupt output *When READY=1 0: Error occurred 1: (Pull-up) : No Error
D0/ D19/ SDA1	6	BT	D0: Primary chip mode data input/output D19: Secondary chip mode data input/output SDA1: SDA for 2-wire serial interface 1
D1/ D18/ SCL1	7	BT	D1: Primary chip mode data input/output D18: Secondary chip mode data input/output SCL1: SCL for 2-wire serial interface 1
D2/D17/PWMOUT	8	BT	D2: Primary chip mode data input/output D17: Secondary chip mode data input/output PWMOUT: PWM output
D4/D15, D5/D14, D6/D13, D7/D12, D8/D11, D9/D10 D10/D9, D11/D8, D12/D7, D13/D6, D14/D5, D15/D4,	10, 11, 13, 14, 15, 16, 20, 21, 22, 23, 24, 26,	B	Primary chip mode data input and output / Secondary chip mode data input and output Left side of "/" is in primary chip mode Right side of "/" is in secondary chip mode
D3/D16 D16/D3, D17/D2, D18/D1, D19/D0	9 27, 28, 29, 30	BT	Primary chip mode data input and output / Secondary chip mode data input and output Left side of "/" is in primary chip mode Right side of "/" is in primary chip mode
TEST1	47	IL	Shall be tied to Ground
TEST2	37	AI	Shall be tied to Ground
CAPOUT	39	PWR	Decoupling capacitor Pin, 1.2V output
CAPINA	42	PWR	1.2V Analog power supply input
CAPINP	45	PWR	1.2V Analog power supply input
VDD	12, 19, 25	PWR	1.7-3.6V Digital power supply input for LVCMOS I/O
AVDD	38	PWR	1.7-3.6V Analog power supply input for on-chip regulator
EXPGND	65	GND	Exposed Pad Ground. Must be tied to the PCB ground plane through an array of via holes

Pin type definition

Analog Buffer

CO: CML Output buffer

CI: CML Input buffer

AI: Analog Input buffer

LVCMOS buffer

IL: Low speed schmitt trigger LVCMOS Input buffer

B: LVCMOS Bi-directional buffer

BO: Open-drain LVCMOS Bi-directional buffer

BL: Low speed 5V tolerant schmitt trigger LVCMOS Bi-directional buffer

BT: Low speed 5V tolerant LVCMOS Bi-directional buffer

Power/Ground

PWR: Power supply

GND : Ground

Table 1 Primary chip mode pin sharing

Pin number	Primary chip / Secondary chip	Primary chip mode			
	Sampling clock	Internal OSC		External input	
	2-wire serial (SDA1/SCL1)	Disable	Enable	Disable	Enable
1	PSSEL	0	0	0	0
33	REFEN	0	0	1	1
register	ENI2C1	{0}	{1}	{0}	{1}
2	RF_IN/OSCSEL0	OSCSEL0	OSCSEL0	RF_IN	RF_IN
32	RF_OUT/OSCSEL1	OSCSEL1	OSCSEL1	RF_OUT	RF_OUT
6	D0/D19/SDA1	D0	SDA1	D0	SDA1
7	D1/D18/SCL1	D1	SCL1	D1	SCL1

Table 2 Secondary chip mode pin sharing

Pin number	Primary chip / Secondary chip	Secondary chip mode			
	Sampling clock	Internal OSC		External input	
	2-wire serial (SDA1/SCL1)	Disable	Enable	Disable	Enable
1	PSSEL	0	0	0	0
33	REFEN	0	0	1	1
register	ENI2C1	{0}	{1}	{0}	{1}
2	RF_IN/OSCSEL0	OSCSEL0	OSCSEL0	RF_IN	RF_IN
32	RF_OUT/OSCSEL1	OSCSEL1	OSCSEL1	RF_OUT	RF_OUT
6	D0/D19/SDA1	D19	SDA1	D19	SDA1
7	D1/D18/SCL1	D18	SCL1	D18	SCL1

Setting value with brace (ex. {0}, {1}) requires register setting by 2-wire serial interface.
See following definition in each Tables.

Setting by Pin
Setting by register

6. Absolute maximum rating

Parameter	Min	Typ	Max	Unit
Supply voltage (VDD,AVDD)	-0.3	-	4.0	V
LVC MOS input voltage	-0.3	-	VDD+0.3	V
LVC MOS output voltage	-0.3	-	VDD+0.3	V
5V tolerant Bi-directional buffer input voltage	-0.3	-	VDD+2.5	V
5V tolerant Bi-directional buffer output voltage	-0.3	-	VDD+2.5	V
Open-drain output voltage	-0.3	-	4.0	V
CML receiver input voltage	-0.3	-	CAPINA+0.3	V
CML transmitter output voltage	-0.3	-	CAPINP+0.3	V
Output current	-50	-	50	mA
Storage temperature	-55	-	125	°C
Junction temperature	-	-	125	°C
Reflow peak temperature/time	-	-	260/10	°C/sec
θ_{ja} (Junction to Ambient)	29.1 [*1]			°C/W
Ψ_{jt} (Junction to Top of package)	1.1 [*1]			°C/W
Maximum power dissipation @+25°C	3.4[*1]			W

“Absolute maximum ratings” are those values beyond which the safety of the device cannot be guaranteed.

They are not meant to imply that the device should be operated at these limits. The tables of “Electrical Characteristics” specify conditions for device operation.

*1: Thermal parameters are not guaranteed value. This value assists board and system level designers.

7. Recommended operating conditions

Parameter	Min	Typ	Max	Unit
Supply voltage (VDD,AVDD)	1.7	-	3.6	V
Operating ambient temperature	-40	-	85	°C

8. Electrical characteristics

8.1. Current consumption

Symbol	Parameter	Type	Conditions	Min	Typ	Max	Unit
Idd_w1	Normal mode current Primary chip 20bit Input (Full toggle40MHz) REFIN mode(80MHz)	PWR	AVDD=3.3V VDD=3.3V	-	116	-	mA
	Normal mode current Secondary chip 20bit Output (Full toggle40MHz) REFIN=80MHz				166		
Idd_w2	Normal mode current Primary chip 10bit Input (Full toggle40MHz) 10bit Output (Full toggle40MHz) REFIN=80MHz	PWR	AVDD=3.3V VDD=3.3V	-	127	-	mA
	Normal mode current Secondary chip 10bit Input (Full toggle40MHz) 10bit Output (Full toggle40MHz) REFIN=80MHz				127		
Idd_w3	Normal mode current Primary chip 10bitInput (Full toggle1MHz) 10bitOutput (Full toggle1MHz) REFIN=80MHz	PWR	AVDD=3.3V VDD=3.3V	-	114	-	mA
	Normal mode current Secondary chip 10bitInput (Full toggle20MHz) 10bitOutput (Full toggle20MHz) REFIN=80MHz				114		
Idd_w4	Normal mode current Primary chip 10bitInput (Full toggle1MHz) 10bitOutput (Full toggle1MHz) REFIN=80MHz	PWR	AVDD=3.3V VDD=3.3V	-	76	-	mA
	Normal mode current Secondary chip 10bitInput (Full toggle1MHz) 10bitOutput (Full toggle1MHz) REFIN=40MHz				76		
Idd_w5	Normal mode current Primary chip 10bit Input (Full toggle66.67MHz) 10bit Output (Full toggle66.67MHz) REFIN=133.34MHz	PWR	AVDD=3.3V VDD=3.3V	-	166	-	mA
	Normal mode current Secondary chip 10bit Input (Full toggle66.67MHz) 10bit Output (Full toggle66.67MHz) REFIN=133.34MHz				166		

Idd_w6	Standby mode current Primary chip 8bit Input(Full toggle6.25kHz)	PWR	AVDD=3.3V VDD=3.3V	-	7	-	mA
	Standby mode current Secondary chip 8bit Output (Fulltoggle6.25kHz)				7		
Idd_w7	Standby mode current Primary chip 8bit Output(Full toggle6.25kHz)	PWR	AVDD=3.3V VDD=3.3V	-	7	-	mA
	Standby mode current Secondary chip 8bit Input(Full toggle6.25kHz)				7		

8.2. LVC MOS/Analog input DC specifications

Symbol	Parameter	Type	Conditions	Min	Typ	Max	Unit
VIH	High level input voltage	B,BT,BO	$1.7V \leq VDD < 2.0V$	0.65 VDD	-	VDD	V
			$2.0V \leq VDD < 3.0V$	0.70 VDD	-	VDD	V
			$3.0V \leq VDD \leq 3.6V$	2.0	-	VDD	V
		IL,BL	$1.7V \leq VDD \leq 3.6V$	0.70 VDD	-	VDD	V
VIL	Low level input voltage	B,BT,BO	$1.7V \leq VDD < 2.0V$	0	-	0.35 VDD	V
			$2.0V \leq VDD < 3.0V$	0	-	0.30 VDD	V
			$3.0V \leq VDD \leq 3.6V$	0	-	0.8	V
		IL,BL	$1.7V \leq VDD \leq 3.6V$	0	-	0.30 VDD	V
		AI	$1.7V \leq VDD \leq 3.6V$	0	-	0.15 VDD	V
VOH	High level output voltage	B,BT,BL	$1.7V \leq VDD < 2.0V$ TTLDRV(register)={0} IOH=-2mA	VDD - 0.30	-	VDD	V
			$1.7V \leq VDD < 2.0V$ TTLDRV(register)={1} IOH=-4mA	VDD - 0.45	-	VDD	V
			$2.0V \leq VDD \leq 3.6V$ IOH=-4mA	VDD - 0.45	-	VDD	V
VOL	Low level output voltage*1	B,BT,BL	$1.7V \leq VDD < 2.0V$ TTLDRV(register)={0} IOL=2mA	0	-	0.30	V
			$1.7V \leq VDD < 2.0V$ TTLDRV(register)={1} IOL=4mA	0	-	0.45	V
			$2.0V \leq VDD \leq 3.6V$ IOL=4mA	0	-	0.45	V
		BO	$1.7V \leq VDD \leq 3.6V$ IOL=2mA	0	-	0.27	V
I _{IH}	Input leak current High	IL	V _{IN} =VDD	-10	-	10	uA
I _{IL}	Input leak current Low	IL	V _{IN} =0V	-10	-	10	uA
I _{OZH}	Output leak current High in Hi-Z	B,BT,BL,BO	V _{IN} =VDD	-10	-	10	uA
I _{OZL}	Output leak current Low in Hi-Z	B,BT,BL,BO	V _{IN} =0V	-10	-	10	uA

AI: Analog Input buffer

IL: Low speed schmitt trigger LVC MOS Input buffer

B: LVC MOS Bi-directional buffer

BO: Open-drain LVC MOS Bi-directional buffer

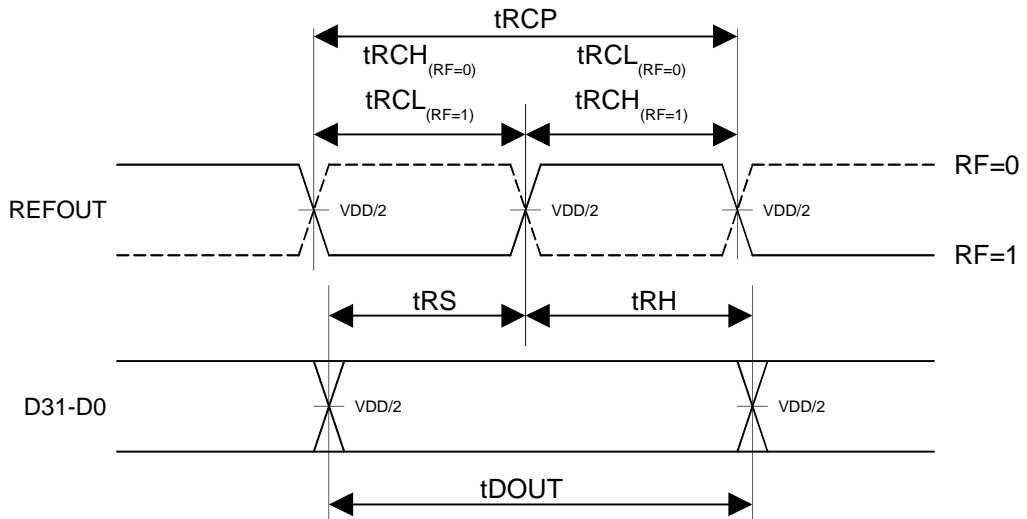
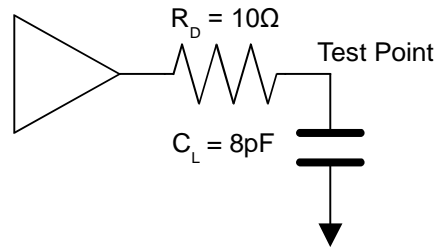
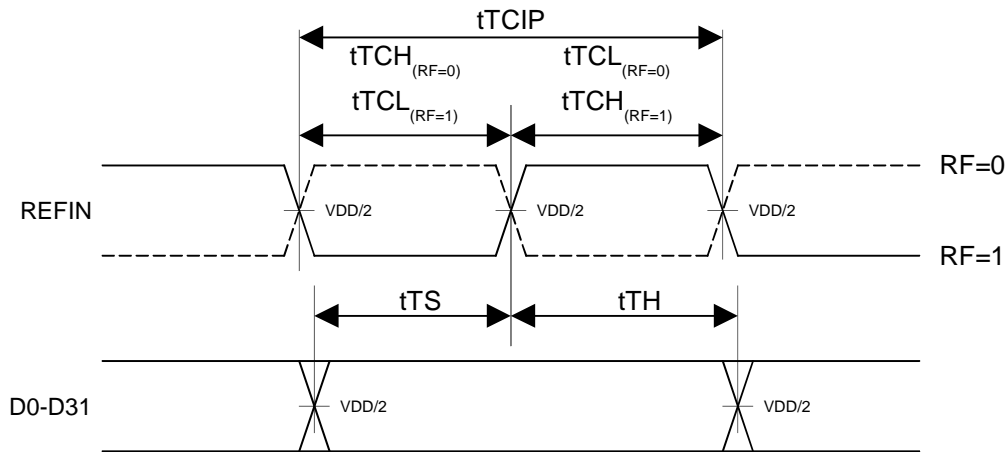
BL: Low speed 5V tolerant schmitt trigger LVC MOS Bi-directional buffer

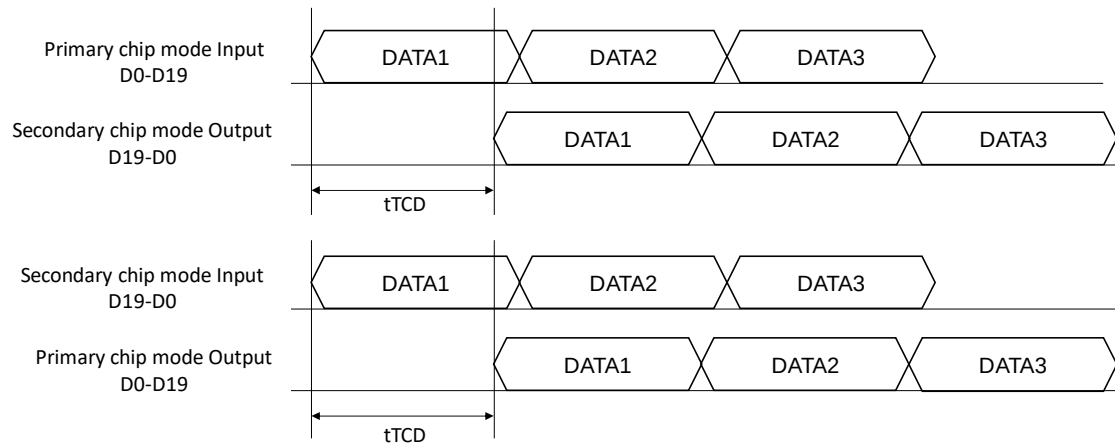
BT: Low speed 5V tolerant LVC MOS Bi-directional buffer

8.3. LVC MOS AC characteristics

Symbol	Parameter	Conditions	Min	Typ	Max	Unit	
tRSN	RESETN low time	-	3	-	-	us	
tTCIP	REFIN period	1.7V ≤ VDD ≤ 2.25V and TTLDRV(register)={0}	10	-	66.6	ns	
		2.25V ≤ VDD ≤ 3.6V or TTLDRV(register)={1}	7.5	-	66.6	ns	
tTCH	REFIN High time	-	0.35 tTCIP	0.5 tTCIP	0.65 tTCIP	ns	
tTCL	REFIN Low time	-	0.35 tTCIP	0.5 tTCIP	0.65 tTCIP	ns	
tTS	Data input setup to REFIN	Pin type: B	1.7V ≤ VDD ≤ 3.6V	2.0	-	-	ns
		Pin type: BT	1.7V ≤ VDD < 2.25V	25	-	-	ns
			2.25V ≤ VDD ≤ 2.75V	2.5	-	-	ns
			2.75V < VDD ≤ 3.6V	2.0	-	-	ns
tTH	Data input hold to REFIN	-	1.0	-	-	ns	
tTPD	Power on to RESETN high delay	-	0	-	-	ns	
tOSC	Internal oscillator clock period	OSCSEL1(pin)=0 OSCSEL0(pin)=0	41.67	50	62.5	ns	
		OSCSEL1(pin)=1 OSCSEL0(pin)=0	20.84	25	31.25	ns	
		OSCSEL1(pin)=1 OSCSEL0(pin)=1	10.42	12.5	15.62	ns	
tDCP	Data sampling clock period	REFEN(pin)=0	-	tOSC	-	ns	
		REFEN(pin)=1	-	tTCIP	-	ns	
tFLTCK	Noise filter clock period	REFEN(pin)=0	10.42	12.5	15.62	ns	
		REFEN(pin)=1	-	tTCIP	-	ns	
tTCD	Input data to output data delay Note : Transmission delay between primary and secondary chips is not included.	Digital noise filter disable	36.2 tDCP	-	61.3 tDCP	ns	
		Digital noise filter number of taps=4	46 tDCP	-	73.7 tDCP	ns	
		Digital noise filter number of taps=8	53.4 tDCP	-	82.1 tDCP	ns	
		Digital noise filter number of taps=16	68.1 tDCP	-	100.5 tDCP	ns	
tRCP	REFOUT period	-	-	tDCP	-	ns	
tRCH	REFOUT high time	-	-	0.5 tDCP	-	ns	
tRCL	REFOUT low time	-	-	0.5 tDCP	-	ns	
tDOUT	Data output period	-	-	tDCP	-	ns	
tRS	Data output setup to REFOUT	-	0.45 tDCP - 0.675	-	-	ns	
tRH	Data output hold to REFOUT	-	0.45 tDCP - 2.175	-	-	ns	
tRRDY	RESETN high to READY high delay	-	-	-	1	ms	
tNRDY	STANDBY low to READY high delay	-	0	-	10	ms	
tSRDY	STANDBY high to READY high delay	-	0	-	10	ms	

tTLH	Clock and data output low to high transition time	Clock , TTLDRV(register)={0}	-	-	2.1	ns
		Data(Pin type=B) , TTLDRV(register)={0}	-	-	4.2	ns
		Data(Pin type=BT) , TTLDRV(register)={0}	-	-	5.9	ns
		Clock , TTLDRV(register)={1}	-	-	1.1	ns
		Data(Pin type=B) , TTLDRV(register)={1}	-	-	2.3	ns
		Data(Pin type=BT) , TTLDRV(register)={1}	-	-	3.0	ns
tTHL	Clock and data output high to low transition time	Clock , TTLDRV(register)={0}	-	-	2.1	ns
		Data(Pin type=B) , TTLDRV(register)={0}	-	-	4.3	ns
		Data(Pin type=BT) , TTLDRV(register)={0}	-	-	6.1	ns
		Clock , TTLDRV(register)={1}	-	-	1.1	ns
		Data(Pin type=B) , TTLDRV(register)={1}	-	-	2.2	ns
		Data(Pin type=BT) , TTLDRV(register)={1}	-	-	3.0	ns



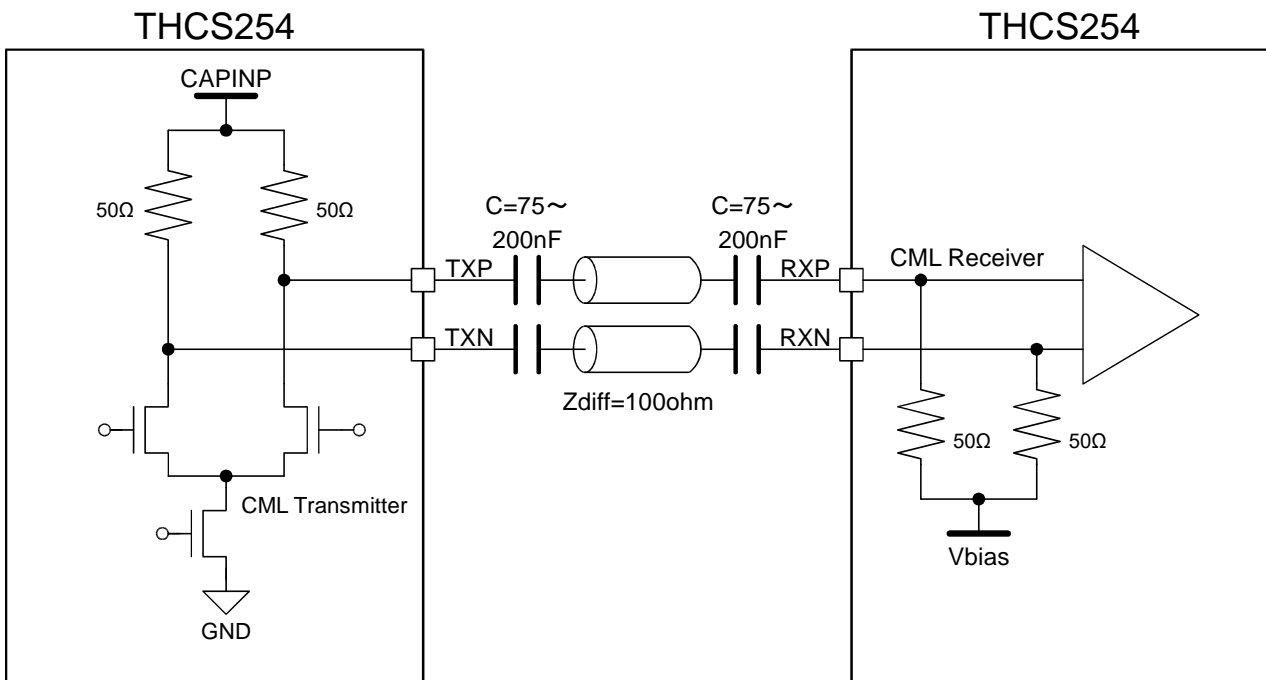
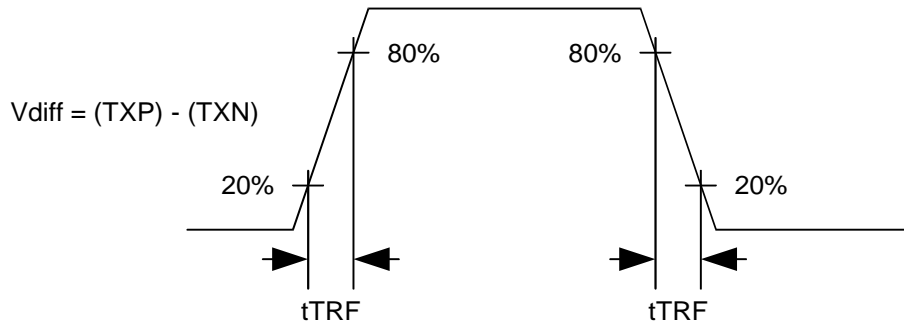
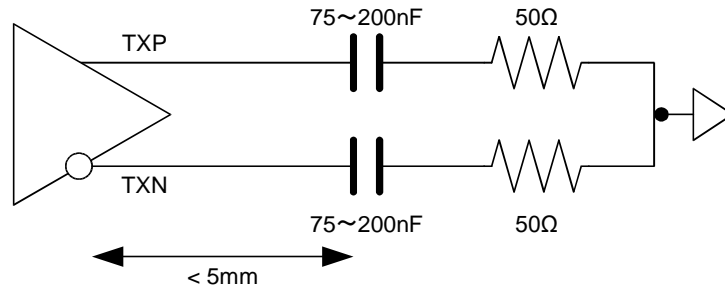


8.4. CML DC characteristics

Symbol	Parameter	Conditions	Min	Typ	Max	Unit
VTOD	CML differential output peak to peak signal	CMLDRV[1:0](register)={00}	266	400	534	mVpp
		CMLDRV[1:0](register)={01} (default)	400	600	800	mVpp
		CMLDRV[1:0](register)={10}	600	800	1000	mVpp
PRE	CML pre-emphasis level	PRE(register)={0} (default)	-	0	-	dB
		PRE(register)={1} CMLDRV[1:0](register)={00}	-	6	-	dB
		PRE(register)={1} CMLDRV[1:0](register)={01}	-	3.52	-	dB
VTOC	CML common mode output voltage	PRE(register)={0} (default)	-	1200 - 0.5 VTOD	-	mV
		PRE(register)={1} CMLDRV[1:0](register)={00}	-	1200 - VTOD	-	mV
		PRE(register)={1} CMLDRV[1:0](register)={01}	-	1200 - 0.75 VTOD	-	mV
ITOH	CML output leak current high	RESETN(pin)=0 TXP/N(pin)=CAPINA(pin)	-30	-	30	uA
ITOS	CML output short current	RESETN(pin)=0 TXP/N(pin)=0V	-80	-	-	mA
VRTH	CML differential input high threshold	-	-	-	50	mV
VRTL	CML differential input low threshold	-	-50	-	-	mV
IRIH	CML input leak current high	RESETN(pin)=0 RXP/N(pin)=CAPINA(pin)	-10	-	10	uA
IRIL	CML input short current low	RESETN(pin)=0 RXP/N(pin)=0V	-10	-	10	uA
IRRIH	CML input current high	RXP/N(pin)=CAPINA(pin)	-	-	2	mA
IRRIL	CML input current low	RXP/N(pin)=0V	-6	-	-	mA
RRIN	CML differential input resistance	-	80	100	120	Ω

8.5. CML AC characteristics

Symbol	Parameter	Conditions	Min	Typ	Max	Unit
tTRF	CML output rise and fall time (20%-80%)	-	50	-	150	ps
tTPLL0	RESETN=H to CML output delay	-	-	-	1	ms
tTPLL1	RESETN=L to CML output high fix	-	-	-	200	ns
tTNP0	READY=L to training pattern output delay	-	-	-	100	us
tTBIT	Output unit interval	-	-	tDCP÷30	-	ns
tRBIT	Input unit interval	-	250	-	2222	ps

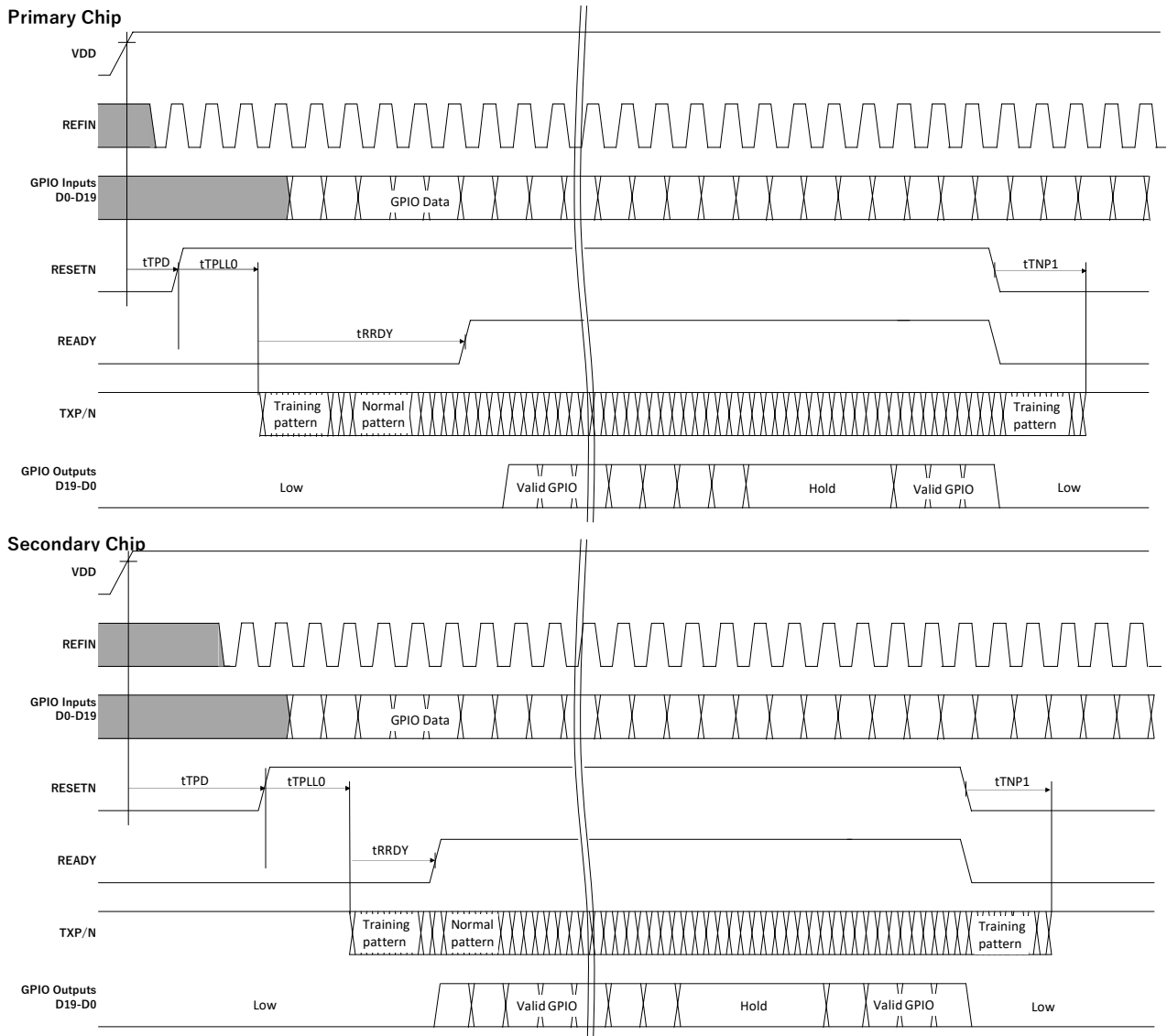


ASYNc mode

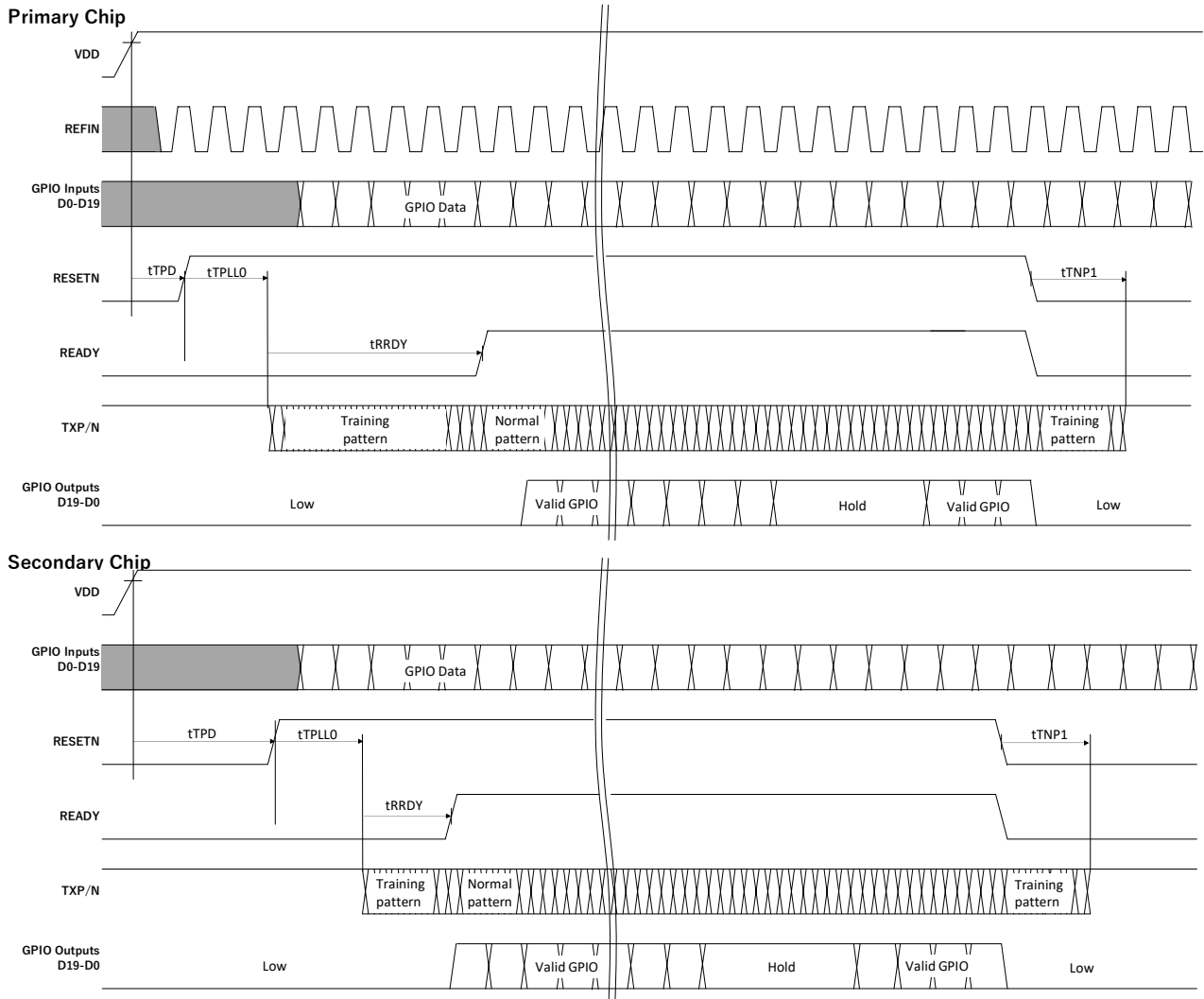
Training pattern output from the primary chip requires RESET=1 and REFIN frequency*1 input.

Training pattern output from the secondary chip requires RESET=1 and REFIN frequency*1 input as well as training pattern receive from the primary chip.

*1: In internal oscillator clock mode with REFEN=0, RESET=1 only.

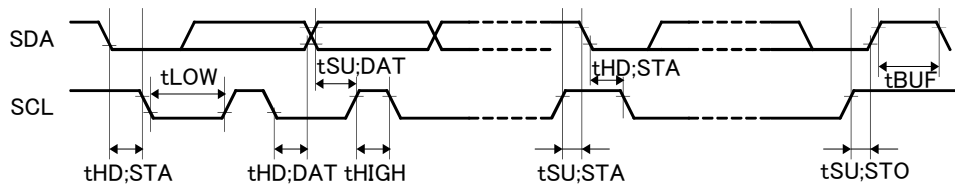


SYNC mode



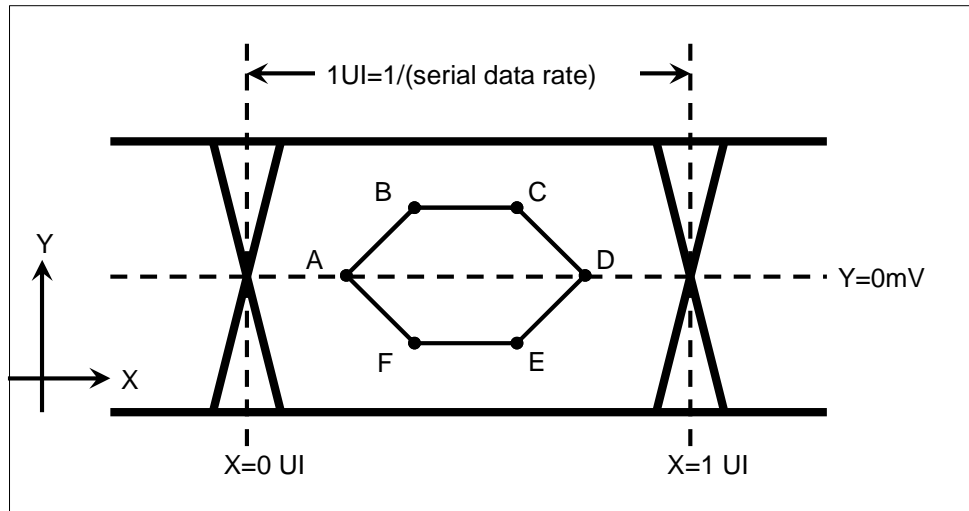
8.6. 2-wire serial interface DC/AC characteristics

Symbol	Parameter	Condition	Min	Typ	Max	Unit
VIL	Low level input voltage	-	0	-	0.30 VDD	V
VIH	High level input voltage	-	0.7 VDD	-	-	V
VOL	Low level output voltage	$1.7V \leq VDD \leq 3.6V$ $IOL=2mA$	0.00	-	0.26	V
I_i	Input current each I/O pin	-	-10	-	+10	μA
fSCL	Input current each I/O pin	-	0	-	1000	kHz
tHD;STA	Hold time (repeated) START condition	fSCL > 400kHz	0.46	-	-	μs
		fSCL \leq 400kHz	0.8	-	-	μs
tLOW	Low period of the SCL clock	fSCL > 400kHz	0.5	-	-	μs
		fSCL \leq 400kHz	1.3	-	-	μs
tHIGH	High period of the SCL clock	fSCL > 400kHz	0.26	-	-	μs
		fSCL \leq 400kHz	0.6	-	-	μs
tHD;DAT	Data hold time	-	0	-	-	μs
tSU;DAT	Data setup time	fSCL > 400kHz	50	-	-	ns
		fSCL \leq 400kHz	100	-	-	ns
tSU;STO	Setup time for STOP condition	fSCL > 400kHz	0.26	-	-	μs
		fSCL \leq 400kHz	0.6	-	-	μs
tBUF	Bus free time between a STOP and START condition	fSCL > 400kHz	0.5	-	-	μs
		fSCL \leq 400kHz	1.3	-	-	μs
tr	Rise time of both SDA and SCL signals	-	-	-	300	ns
tf	Fall time of both SDA and SCL signals	-	-	-	300	ns



9. CML Line diagram

9.1. CML input diagram



	X[UI]	Y[mV]
A	0.25	0
B	0.3	50
C	0.7	50
D	0.75	0
E	0.7	-50
F	0.3	-50

10. Function

10.1. Function overview

The THCS254 integrates a high-speed CML serializer and deserializer on a single chip. It is capable of aggregating and de-aggregating up to 20-bit parallel GPIO signals and a 2-wire serial interface with full-duplex communication using two pairs of differential signals with a minimum of external components. Low-power standby mode supports up to 8-bit low-speed GPIO signals and 2-wire serial interface. In addition, the internal oscillator mode does not require an external clock generator such as a crystal oscillator. Two THCS254s (one pair) can be used to monitor and control peripheral devices via a 2-wire serial interface or GPIO. In the event of a communication error, the GPIO signal is held and an interrupt signal is used to notify the user.

10.2. Power supply

10.2.1. Internal regulator output/input function (CAPOUT, CAPINA, CAPINP)

The internal regulator generates 1.2V (CAPOUT) for internal use only. Do not use for other external loads. CAPOUT should be bypassed to GND with 10uF as a power supply pin; AVDD should be bypassed to GND with 10uF or more.

CAPINP and CAPINA supply the reference voltage for the internal analog circuitry. To reduce high frequency noise, CAPINP/CAPINA should be bypassed to GND with 0.1uF as a power supply pin. CAPOUT, CAPINA and CAPINP should be wired as shown in the figure below.

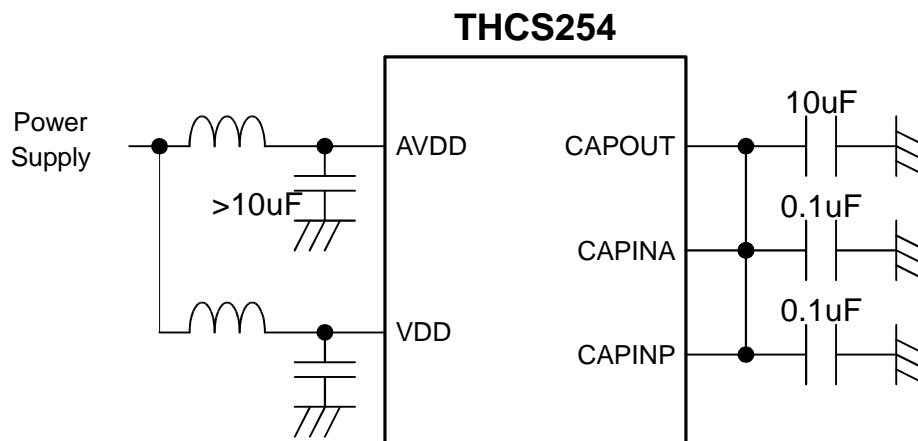


Figure 1 Connection of CAPOUT, CAPINA, CAPINP and decoupling capacitor

10.3. Chip Operating state

Basic operating states related to power consumption of the THCS254, such as reset, OE, and standby.

Table 3 Operating mode setting

Operating mode	Setting			Description
	RESETN (pin)	STANDBY (register)	OE *1 (pin)	
RESET	0	-	-	Chip reset 2-wire serial interface disable All outputs are Hi-Z
Normal operation	1	{0}	0	Normal operation 2-wire serial interface enable All outputs are Hi-Z
	1	{0}	1	Normal operation 2-wire serial interface enable GPIO normal operation
Standby operation	1	{1}	0	Low power consumption/low frequency sampling rate operation 2-wire serial interface enable GPIO 8bit Hi-Z
	1	{1}	1	Low power consumption/low frequency sampling rate operation 2-wire serial interface enable GPIO 8bit low speed communication Enable

*1 When OVERRIDE_OEN(register) = {1} is selected, the OE(pin) state is disabled.

10.4. Chip operation mode

10.4.1. Chip configuration

The THCS254 has two modes, Primary chip mode and Secondary chip mode, which are selected by the PSEL pin. The THCS254 is connected and used in a pair of Primary chip mode and Secondary chip mode.

Table 4 Primary chip and Secondary chip selection

PSEL (pin)	Description
0	Primary chip mode
1	Secondary chip mode

10.4.2. Operating clock mode select

The THCS254 selects synchronous or asynchronous operation of downstream and upstream by the SYNCEN pin selection in the secondary chip mode.

Synchronous mode

The primary chip samples data by its own clock. The secondary chip samples data using the CDR (Clock Data Recovery) clock generated by the deserializer, and the downstream and upstream operate synchronously.

Asynchronous mode

Data sampling is performed with the clocks of both Primary chip and Secondary chip, and downstream and upstream operate asynchronously.

Table 5 Downstream / Upstream synchronous setting

SYNCEN(pin) of Secondary chip	Description
0	Asynchronous mode : Operates at both clocks
1	Synchronous mode : Operates at the clock of the primary chip

10.4.3. Operating clock select

THCS254 allows selection of the clock used to input data sampling and drive the serializer/deserializer.

Table 6 Operating clock select

REFEN(pin)	Description
0	Internal Oscillator Clock Mode : 20M/40M/80MHz
1	External reference clock mode : 15-133MHz

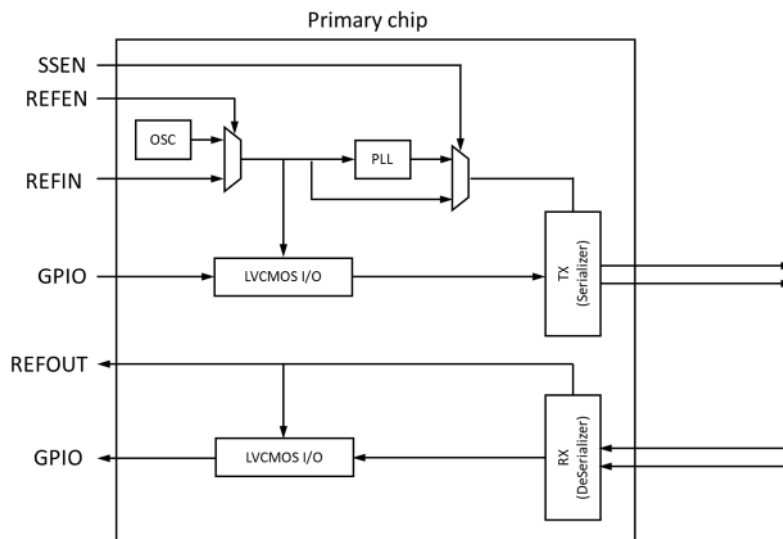


Figure 2 Clock Tree diagram of Primary chip

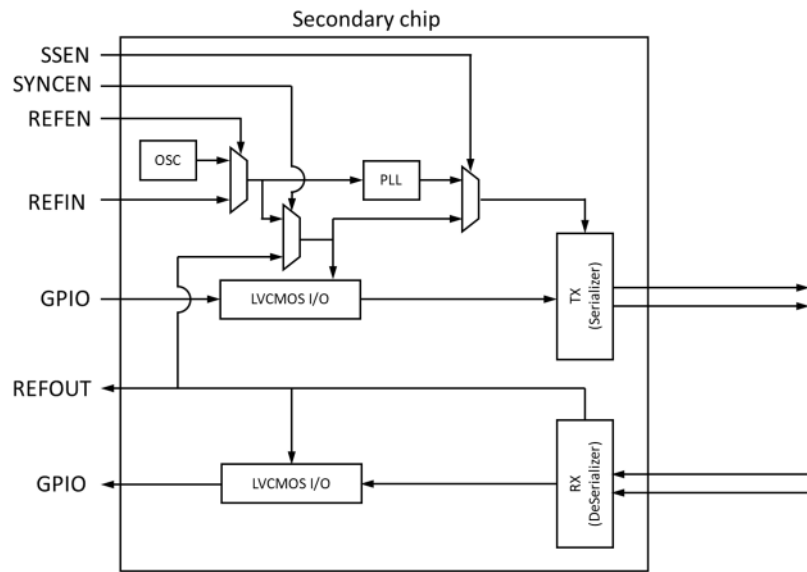


Figure 3 Clock Tree diagram of Secondary chip

Asynchronous mode(SYNCEN=0 of secondary chip)/External reference clock mode(REFEN=1) and Internal oscillator clock mode(REFEN=0)

Data sampling and driven by the REFIN input of either the Primary chip or the Secondary chip.

Either the primary chip/secondary chip is driven and sampled by the internal oscillator.

Selectable from 20/40/80MHz by OSCSEL [1:0] pin setting.

The external reference clock drive side can be synchronized with the REFIN input for take-up and output.

The internal oscillator drive side is all asynchronous acquisition. Output data is synchronized with REFOUT.

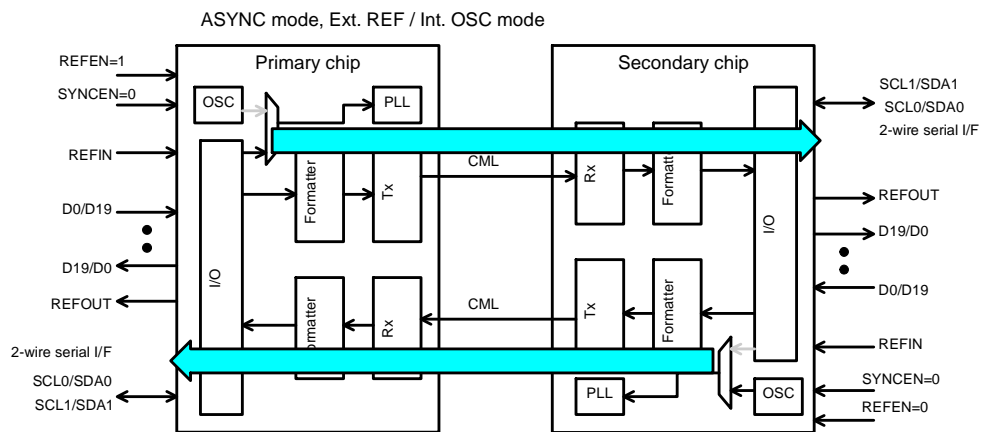


Figure 6 ASYNC_MODE / Ext.REF_MODE & Int.OSC_MODE Block diagram

Synchronous mode(SYNCEN=1 of secondary chip)/External reference clock mode(REFEN=1)

Driven and data sampling only by REFIN to the primary chip. (Input to REFIN of the secondary chip is prohibited)

Secondary chip uses the clock regenerated by the receiver for data sampling and driving the transmitter.

Downlink take-up and output synchronized with REFIN input.

The uplink is asynchronous acquisition due to sampling with the CDR-generated clock.

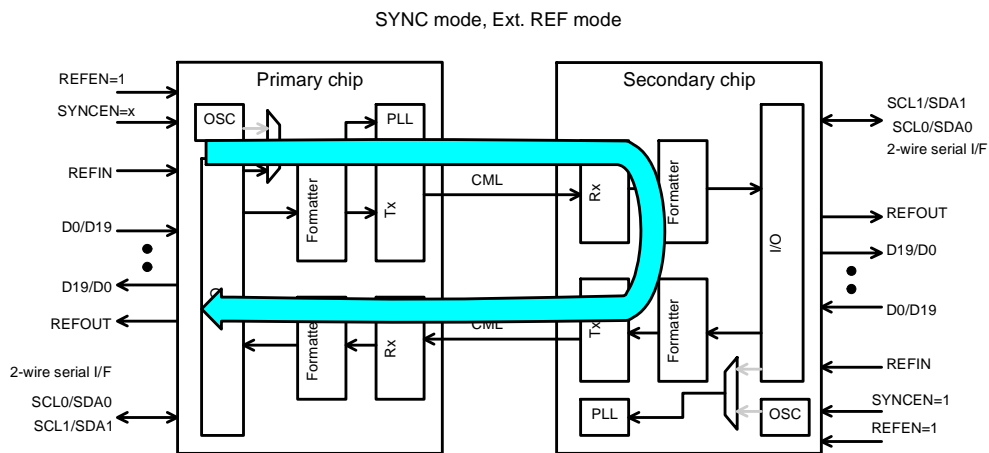


Figure 7 SYNC_MODE / Ext.REF_MODE Block diagram

Synchronous mode(SYNCEN=1 of secondary chip)/Internal oscillator clock mode(REFEN=0)

It is sampled and driven by the built-in oscillator of the primary chip.

Selectable from 20/40/80MHz by OSCSEL [1:0] pin setting.

Secondary chip uses the clock regenerated by the receiver for data sampling and driving the transmitter.

All input data is asynchronous acquisition because of sampling by the internal oscillator. Output data is synchronized with REFOUT.

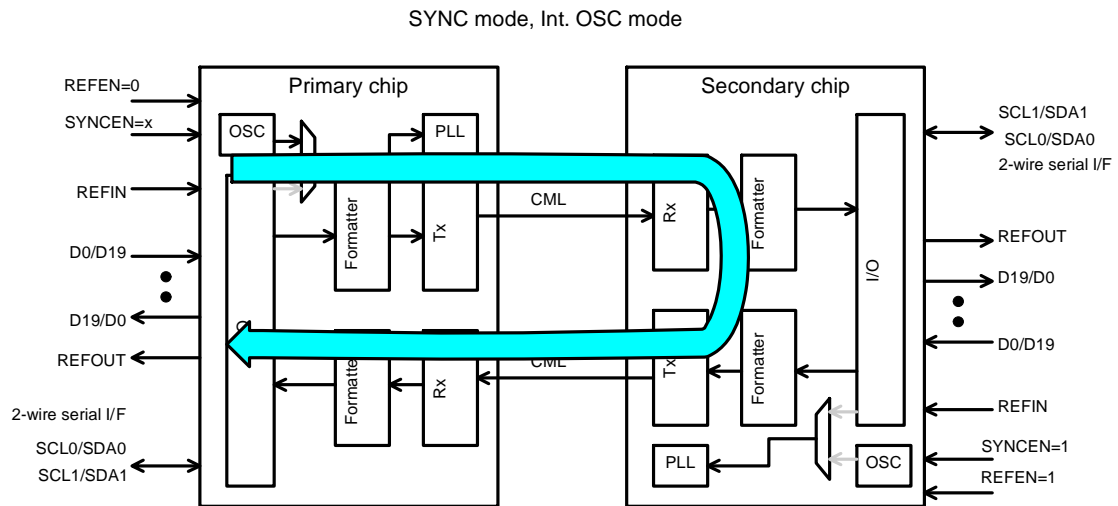


Figure 8 SYNC_MODE / Int.OSC_MODE Block diagram

10.5. Pin setting and combination of chip mode

The following is a list of modes that can be combined between Primary chip and Secondary chip.

Table 7 Primary Chip / Secondary Chip list of pair combination

			PSSEL=0 : Primary chip mode (Pri)	
			REFEN	
			0	1
PSSEL=1 Secondary chip mode (Sec)	SYNCEN	0		
	REFEN	0		
	SYNCEN	0		
	REFEN	1		
	SYNCEN	1		
	REFEN	-		

10.6. REFIN frequency range and Internal OSC frequency

The external reference clock frequency in each byte mode with REFEN (pin) = 1 and the operating frequency with OSCSEL [1:0] (pin) setting when REFEN (pin) = 0 are shown below.

Table 8 External reference clock frequency range

REFIN frequency range	CML data rate
15~133MHz	450Mbps~4Gbps

Table 9 DATAWIDTH and OSCSEL[1:0] select

RF_OUT/OSCSEL1 (pin)	RF_IN/OSCSEL0 (pin)	OSC frequency	CML data rate
0	0	20MHz±20%	480Mbps~720Mbps
0	1	40MHz±20%	960Mbps~1440Mbps
1	0		
1	1	80MHz±20%	1920Mbps~2880Mbps

10.7. 2-wire serial interface

10.7.1. 2-wire serial interface setting

THCS254 has two 2-wire serial interfaces (I2C0: SDA0/SCL0, I2C1: SDA1/SCL1)

Table 10 2-wire serial interface Setting

ENI2C1(register)	I2C0 (SCL0/SDA0)	I2C1 (SCL1/SDA1)
0	Always Enable	Disable
1	Always Enable	Enable

2-wire serial controller/target can be selected independently from Primary chip / Secondary chip mode settings.

Table 11 2-wire serial interface controller / target select

PSEL(pin)	I2C mode
0	Target
1	Controller

I2C0 and I2C1 have different accessible ranges.

Table 12 2-wire serial interface accessible range

	Primary chip register	Secondary chip register	Remote device register
I2C0	Accessible	accessible	accessible
I2C1	Unaccessible	Unaccessible	accessible

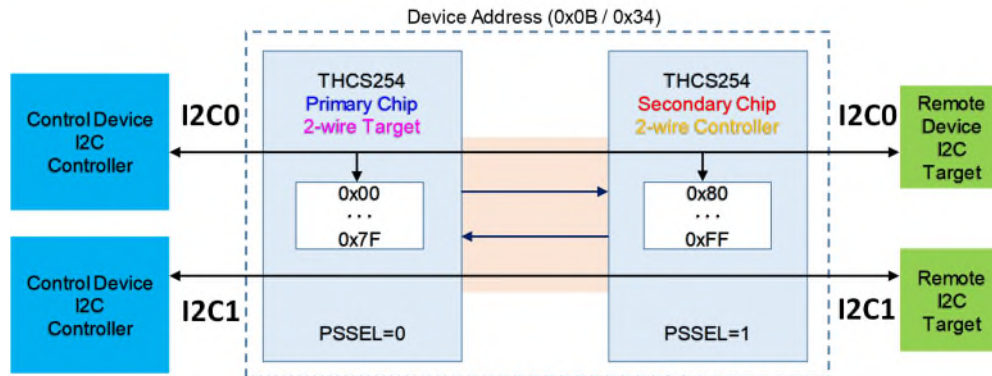


Figure 9 2-wire serial interface accessible range

10.7.2. Clock stretching

2-wire serial controller device connected to the THCS254 must support clock stretching.

Access from the 2-wire serial target (control device side) to the 2-wire serial controller (remote device side) of the THCS254 involves a clock stretch every 8 bits.

$$\text{Clock stretching period} = (\text{Sampling period}) \times 29 + 625 \text{ [ns]}$$

$$\text{Effective I2C frequency} = 1 / (\text{Clock stretching period} + \text{SCL period})$$

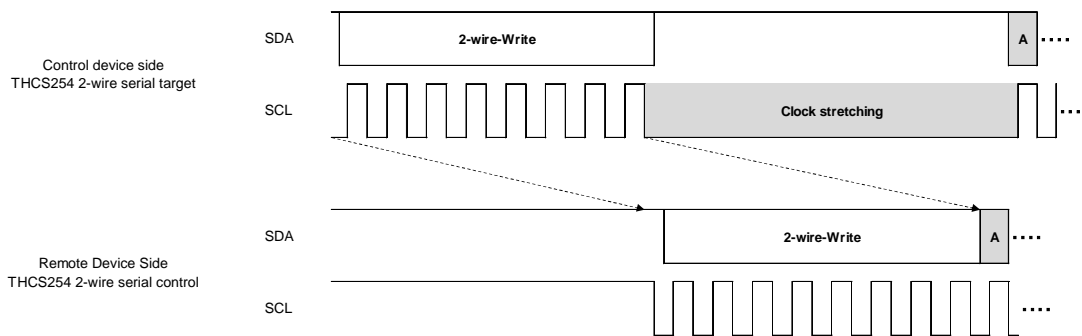


Figure 10 Clock stretching of I2C communication

10.7.3. Device Address

To access the THCS254 registers, IDSEL0 (pin) must be set and the device address must be selected. The device address must be set only on the 2-wire serial target set to Primary chip mode. The device address set on IDSEL0 cannot be used as the device address of a remote device.

Table 13 Device ID setting

Setting IDSEL0 (pin)	Device address [6:0] (HEX) / (BIN)
0	0x0B / 000_1011
1	0x34 / 011_0100

10.7.4. 2-wire serial controller / target register address space

The THCS254 identifies the 2-wire serial target (on the control device side) and the 2-wire serial controller (on the remote device side). Burst access across the boundary between the 2-wire serial target (control device side) and the 2-wire serial controller (remote device side) is prohibited.

Table 14 Register address configuration

Register address	Description
0x00 - 0x7F	2-wire serial target (Control device side)
0x80 - 0xFF	2-wire serial controller (Remote device side)

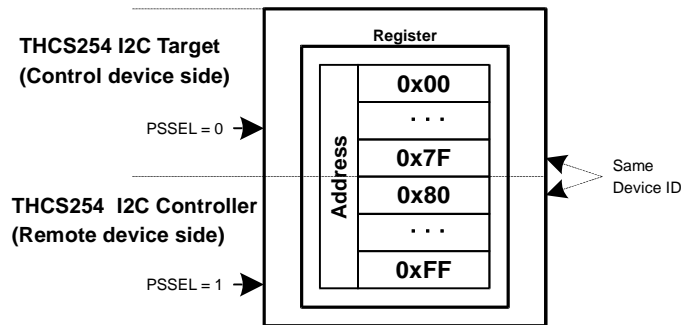


Figure 11 Register address mapping

10.7.5. 2-wire serial controller SCL frequency

2-wire serial controller chip with CTSEL_I2C=1 can set the SCL frequency in the register. The default is 156 kbps.

Table 15 2-wire serial bitrate setting

Register Address	Name	Description
0x26	I2CPERIOD0	2-wire serial controller bit rate setting (SCL0) 10,000 / I2CPERIOD0 kbps
0x27	I2CPERIOD1	2-wire serial controller bit rate setting (SCL1) 10,000 / I2CPERIOD0 kbps

10.7.6. 2-wire serial interface watch dog timer setting

The 2-wire serial interface of the THCS254 has a watchdog timer function that resets the internal state if communication stops for some reason, such as an external factor, and the internal state continues to not advance. The time until the watchdog timer is activated can be set in an internal register.

Table 16 2-wire serial interface watch Dog Timer setting

Register Address	bit	Name	Description
0x28	7:4	I2C_WDT_STBY	2-wire serial watch dog timer (standby) 0:Disable / 50ms ~ 1650s
	3:0	I2C_WDT	2-wire serial watch dog timer (Normal mode) Controller 0:Disable / 0.0123ms - 403ms Target 0:Disable / 0.0246ms - 806ms

10.7.7. THCS254 internal register access protocol via 2-wire serial interface

The THCS254 2-wire serial interface protocol includes the following three types: (1) 2-wire serial target register access, (2) 2-wire serial controller access, and (3) 2-wire serial remote device access.

(1) 2-wire serial target register access

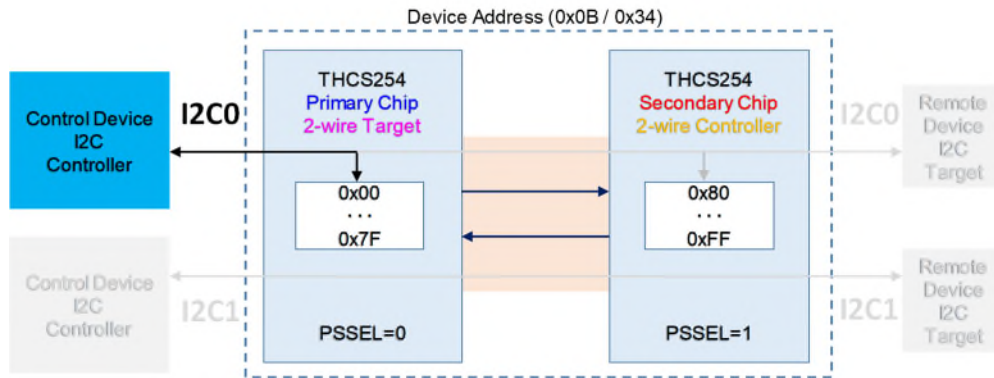
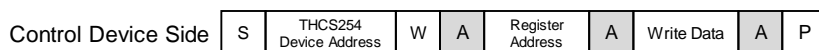


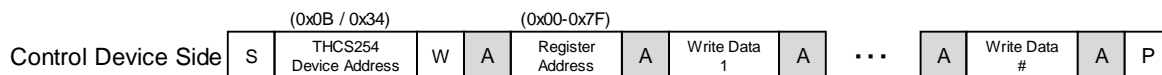
Figure 12 2-wire serial target register access

Start condition	Read command
Stop condition	Write command
ACK	Access from 2-wire serial Controller of Control Device
NACK	Access from 2-wire serial Target of Remote Device
Repeated start condition	Access from THCS254

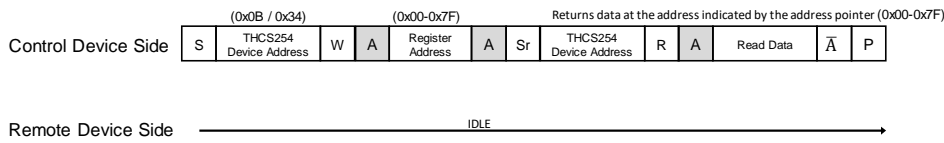
Single Byte write



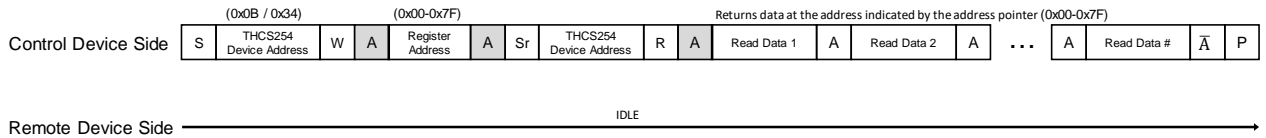
Burst write



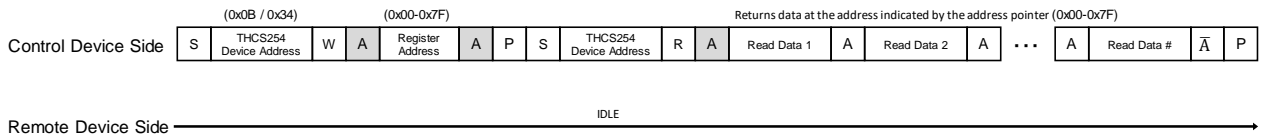
Single Byte read with repeated start command



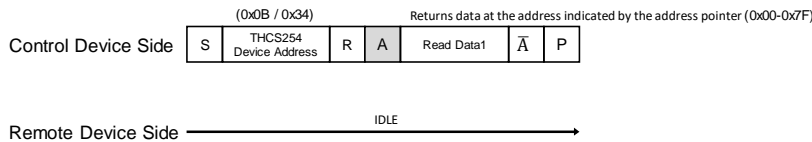
Burst read with repeated start command



Burst read with stop and start command



Single Byte read without repeated start condition



Burst read without repeated start condition

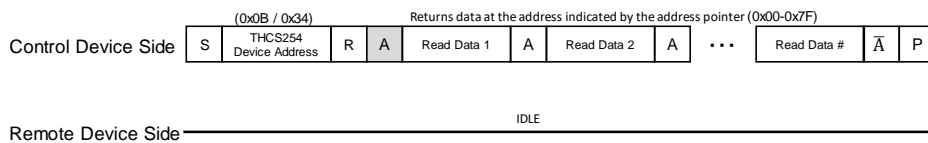


Figure 13 2-wire serial target register access protocol

(2) 2-wire serial controller register access

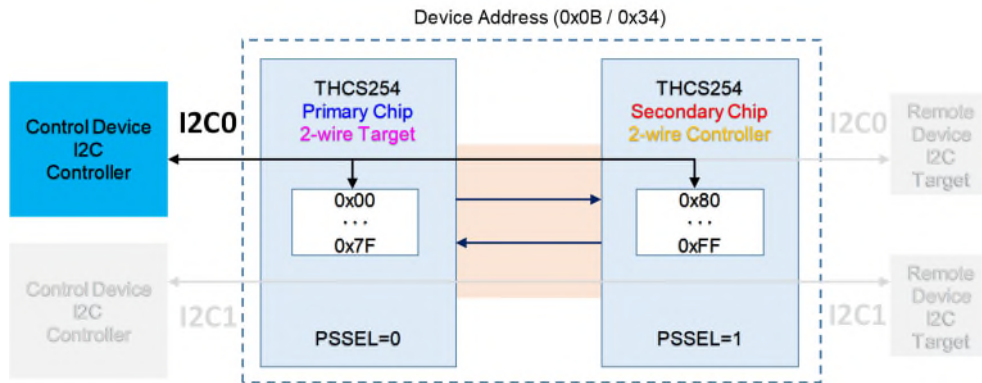
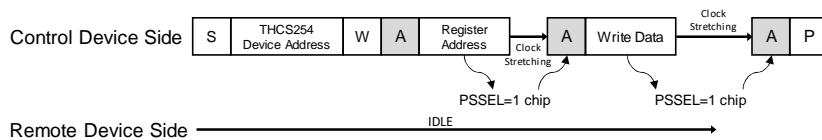


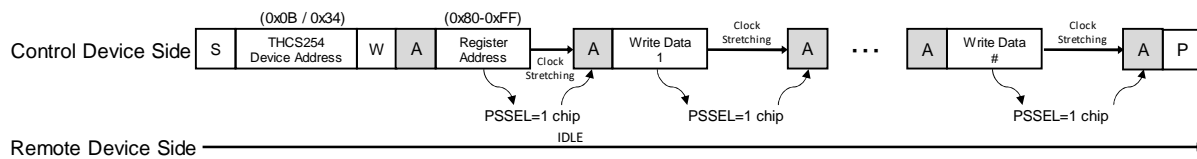
Figure 14 2-wire serial controller register access

S	Start condition	R	Read command
P	Stop condition	W	Write command
A	ACK		Access from 2-wire serial Controller of Control Device
\bar{A}	NACK		Access from 2-wire serial Target of Remote Device
Sr	Repeated start condition		Access from THCS254

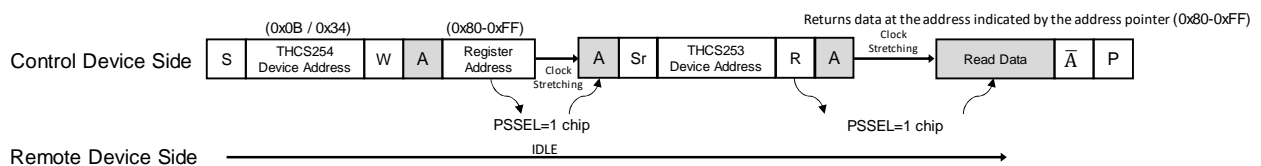
Single Byte write



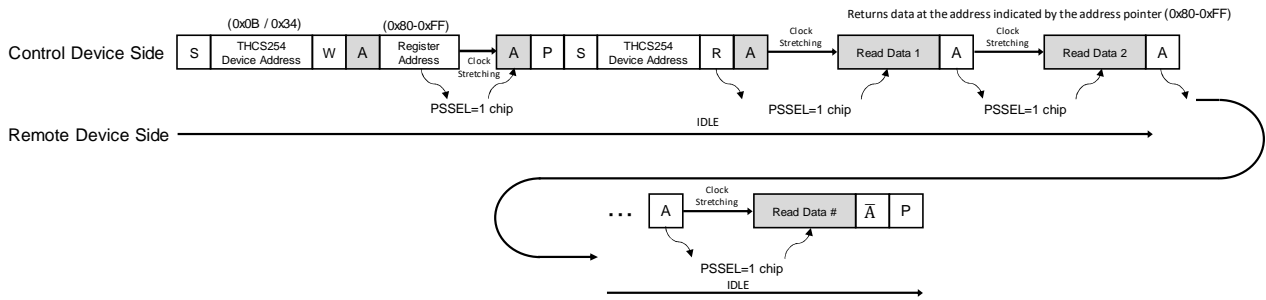
Burst write



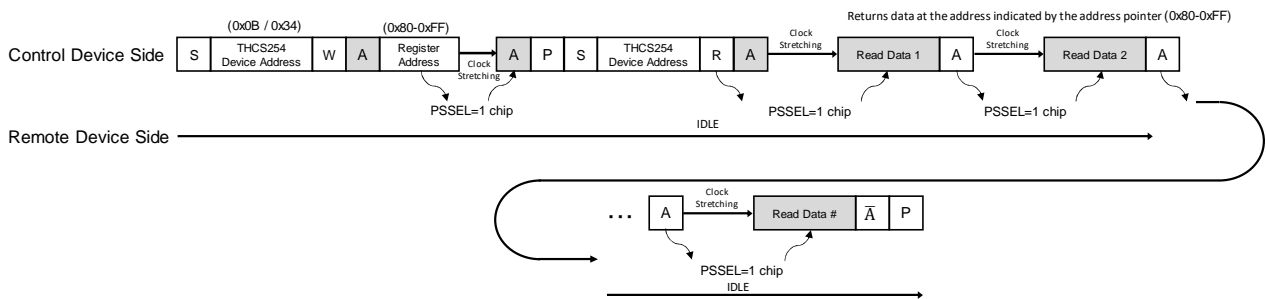
Single Byte read with repeated start command



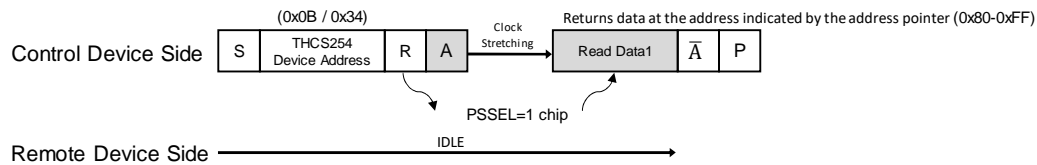
Burst read with repeated start command



Burst read with stop and start command



Single Byte read without repeated start condition



Burst read without repeated start condition

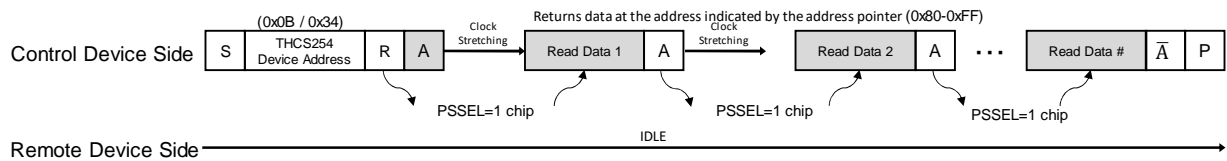


Figure 15 2-wire serial controller register access protocol

(3) 2-wire serial remote device access *Partially includes access to THCS254

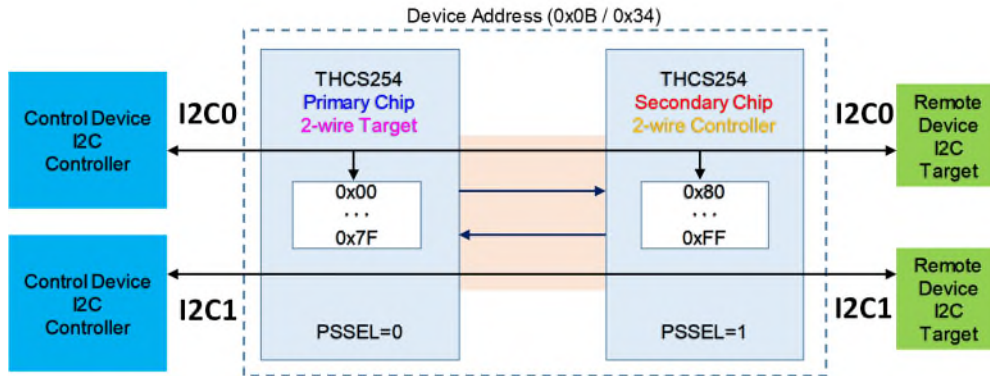
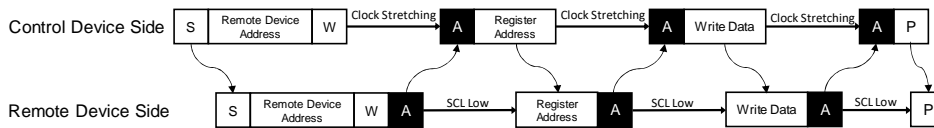


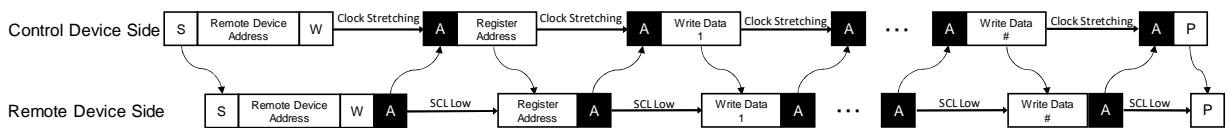
Figure 16 2-wire serial remote device access

- | | | | |
|-----------|--------------------------|---|--|
| S | Start condition | R | Read command |
| P | Stop condition | W | Write command |
| A | ACK | □ | Access from 2-wire serial Controller of Control Device |
| \bar{A} | NACK | ■ | Access from 2-wire serial Target of Remote Device |
| Sr | Repeated start condition | ◻ | Access from THCS254 |

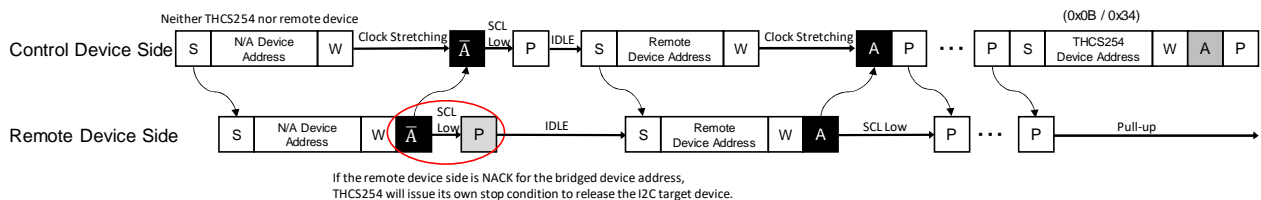
Single Byte write



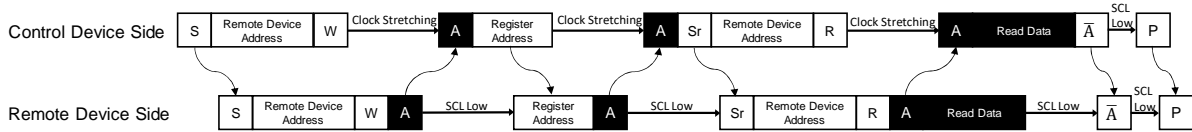
Burst write



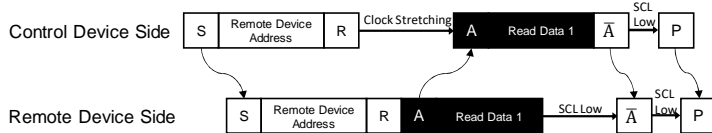
I2C detect write command



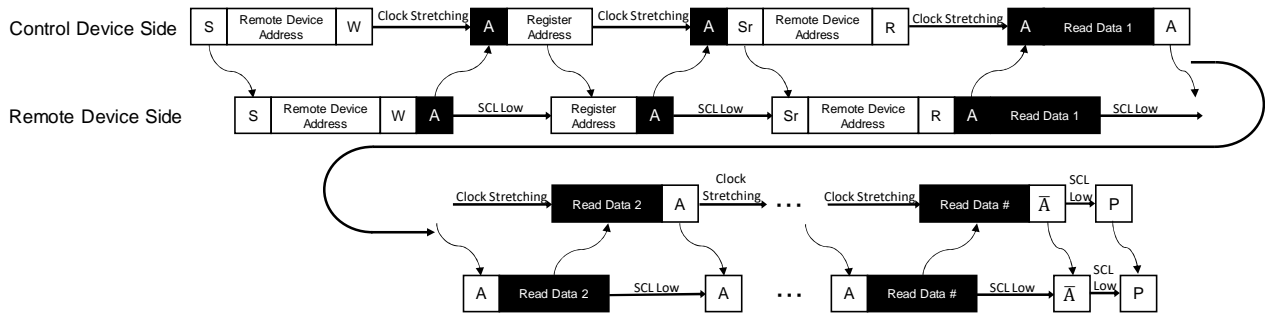
Single Byte read with repeated start condition



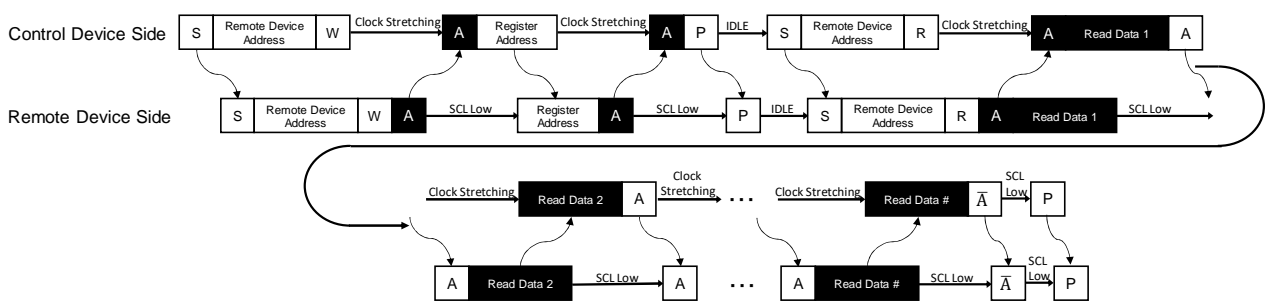
Single Byte read without repeated start condition



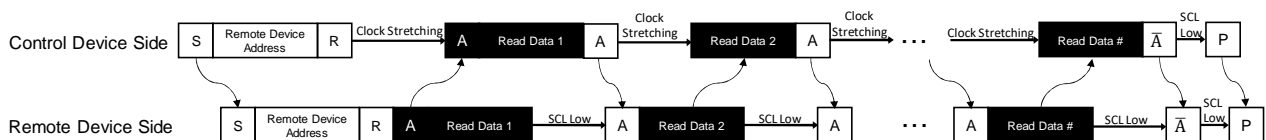
Burst read with repeated start condition



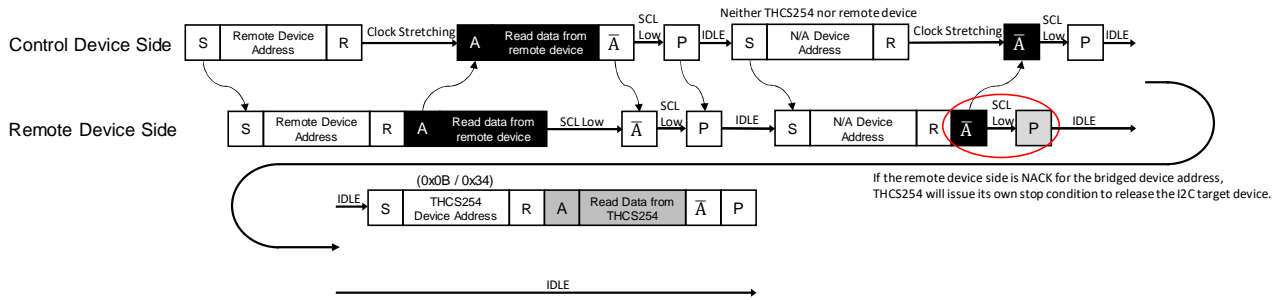
Burst read with stop and start condition



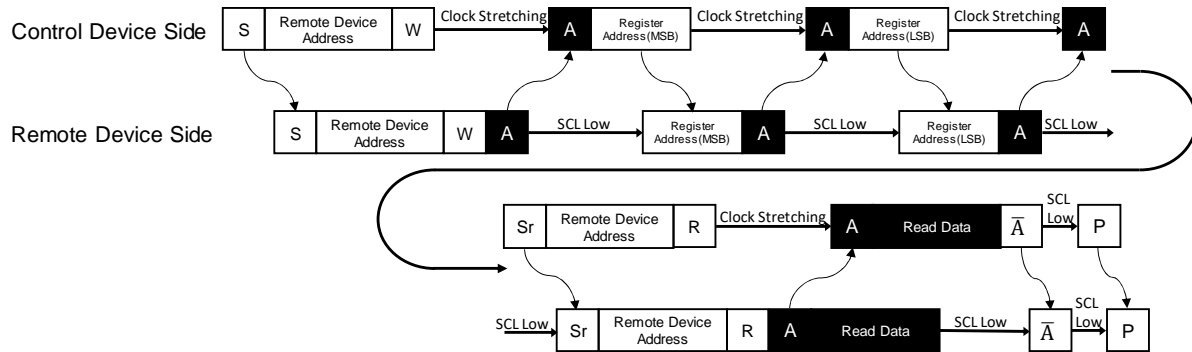
Burst read without repeated start condition



I2C detect read command



2Byte addressing device read with repeated start condition



2Byte addressing device read with stop and start condition

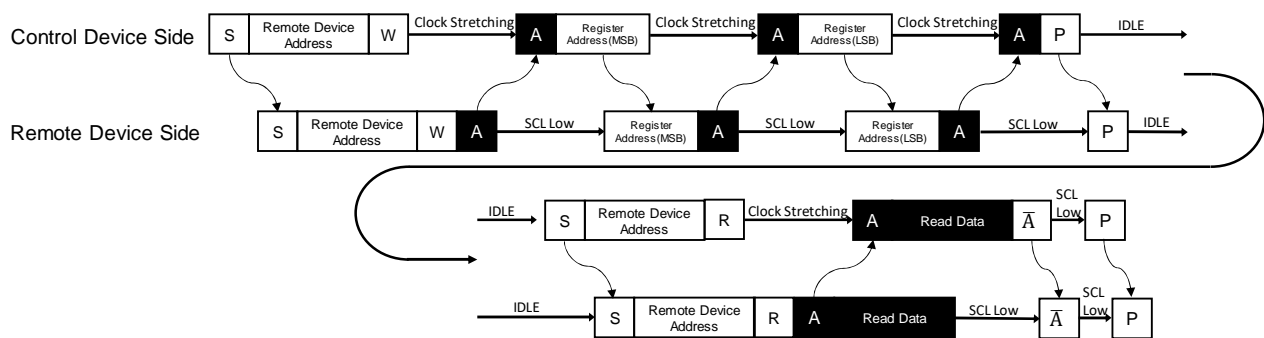


Figure 17 2-wire serial remote device access protocol

10.7.8. 2-wire serial expander

The I2C_EXPAND (register) setting determines whether data transmission is performed through or used as an I2C expander. When used as an I2C expander, the value set in GPIO_OUT_*(...0~2) is output from the data pins. The setting of GPIO_OBUF_*(...0~2) is valid for the output buffer setting. Also, regardless of the I2C_EXPAND setting, data input is stored in GPIO_IN_*(...0~2) and can be checked by I2C read.

Table 17 GPIO type setting

Function	Register Name	Description
GPIO function select	I2C_EXPAND	0: Through(Default) 1: I2C Expander

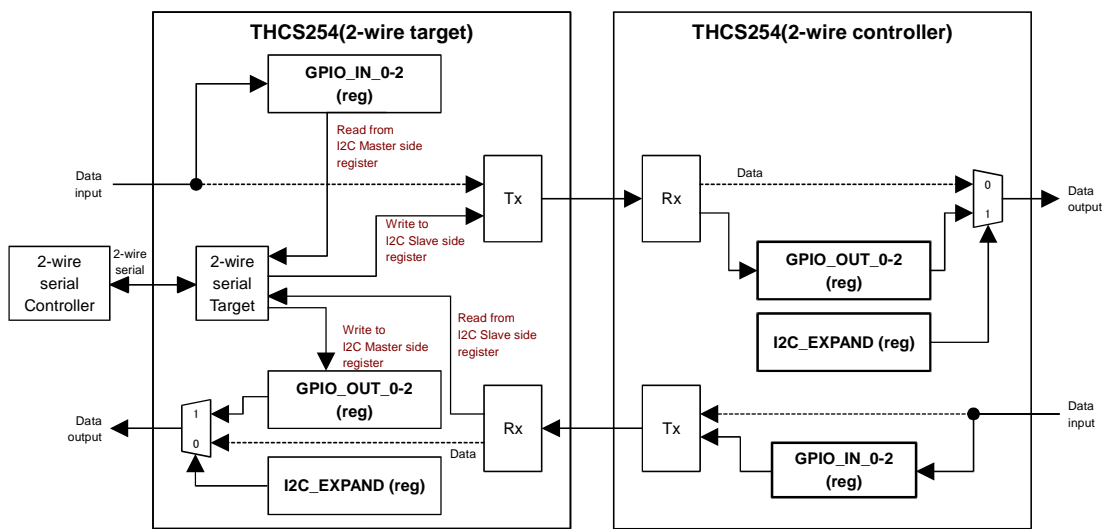


Figure 18 2-wire serial expander function

10.8. Direction of GPIO

The flow from the primary chip transmitter output to the secondary chip receiver input is defined as downstream.

The flow from the secondary chip transmitter output to the primary chip receiver input is defined as upstream.

By setting OVERRIDE_OEN (register) to 1, the GPIO direction can be freely set for each pin.

Table 18 GPIO direction for each example

Use case		A-1	A-2		
Setting	OVERRIDE_OE(register)	0	1		
Mode	CML data rate	External reference clock mode 1/TCIPx30 Internal oscillator clock mode 1/OSCx30			
Data pin of primary chip	D0/D19/SDA1(pin)	=>	<=>*1	D19/D0(pin)	Data pin of secondary chip
	D1/D18/SCL1(pin)	=>	<=>*1	D18/D1(pin)	
	D2/D17(pin)	=>	<=>*1	D17/D2(pin)	
	D3/D16(pin)	=>	<=>*1	D16/D3(pin)	
	D4/D15(pin)	=>	<=>*1	D15/D4(pin)	
	D5/D14(pin)	=>	<=>*1	D14/D5(pin)	
	D6/D13(pin)	=>	<=>*1	D13/D6(pin)	
	D7/D12(pin)	=>	<=>*1	D12/D7(pin)	
	D8/D11(pin)	=>	<=>*1	D11/D8(pin)	
	D9/D10(pin)	=>	<=>*1	D10/D9(pin)	
	D10/D9(pin)	=>	<=>*1	D9/D10(pin)	
	D11/D8(pin)	=>	<=>*1	D8/D11(pin)	
	D12/D7(pin)	=>	<=>*1	D7/D12(pin)	
	D13/D6(pin)	=>	<=>*1	D6/D13(pin)	
	D14/D5(pin)	=>	<=>*1	D5/D14(pin)	
	D15/D4(pin)	=>	<=>*1	D4/D15(pin)	
	D16/D3(pin)	=>	<=>*1	D3/D16(pin)	
	D17/D2(pin)	=>	<=>*1	D2/D17(pin)	
	D18/D1(pin)	=>	<=>*1	D1/D18/SCL1(pin)	
D19/D0(pin)	=>	<=>*1	D0/D19/SDA1(pin)		

"=>" is downstream (GPIO input to the primary chip is GPIO output from the secondary chip)

"<=" is upstream (GPIO input to the secondary chip is GPIO output from the primary chip)

"<=>" is a pin whose directionality can be selected one by one by internal register setting.

*1 The setting that contradicts the pin relationship between the primary chip and the secondary chip indicated by the pin name is not allowed.

The following table shows the mapping between pins and registers that can be set by setting OVERRIDE_OEN (register) to 1.

Table 19 GPIO OEN_0-3(register) mapping

Register Name	bit	Controlled terminal mapping		Description
		Primary chip mode	Secondary chip mode	
GPIO_OEN_0(register)	[0]	D0/D19/SDA1(pin)	D19/D0(pin)	GPIO direction select {0} : Output {1} : Input
	[1]	D1/D18/SCL1(pin)	D18/D1(pin)	
	[2]	D2/D17(pin)	D17/D2(pin)	
	[3]	D3/D16(pin)	D16/D3(pin)	
	[4]	D4/D15(pin)	D15/D4(pin)	
	[5]	D5/D14(pin)	D14/D5(pin)	
	[6]	D6/D13(pin)	D13/D6(pin)	
	[7]	D7/D12(pin)	D12/D7(pin)	
GPIO_OEN_1(register)	[0]	D8/D11(pin)	D11/D8(pin)	
	[1]	D9/D10(pin)	D10/D9(pin)	
	[2]	D10/D9(pin)	D9/D10(pin)	
	[3]	D11/D8(pin)	D8/D11(pin)	
	[4]	D12/D7(pin)	D7/D12(pin)	
	[5]	D13/D6(pin)	D6/D13(pin)	
	[6]	D14/D5(pin)	D5/D14(pin)	
	[7]	D15/D4(pin)	D4/D15(pin)	
GPIO_OEN_2(register)	[0]	D16/D3(pin)	D3/D16(pin)	
	[1]	D17/D2(pin)	D2/D17(pin)	
	[2]	D18/D1(pin)	D1/D18/SCL1(pin)	
	[3]	D19/D0(pin)	D0/D19/SDA1(pin)	

10.9. IO configuration

10.9.1. I/O digital noise filter

The THCS254 has digital noise filters for GPIO input (CMOS input noise immunity) and output (CML line noise immunity), and the digital noise filters can be set simultaneously by setting FILTSEL1 (pin) and FILTSEL0 (pin). Each GPIO digital noise filter can be individually enabled by setting GPIO_I_FILTEN_0-2(register) and GPIO_O_FILTEN_0-2(register) with OVERRIDE_FILTEN (register)=1. The GPIO_I_FILTEN_0-2(register) and GPIO_O_FILTEN_0-2(register) settings enable each GPIO digital noise filter individually. The number of input/output filter tap can also be set by GPIO_I_FILTSET(register) and GPIO_O_FILTSET(register). The number of filter stages cannot be set for each pin individually. The data width of (tap_num-1) tFLTCK or less is subject to filtering.

Table 20 Input digital noise filter setting

Setting		Function	Filter number of taps (tap_num)
OVERRIDE_I_FILTEN (register)	GPIO_I_FILTEN_0-2 (register)		
{0} (default)	-	digital noise filter disable	-
{1}	{0}	digital noise filter disable (Table 23)	GPIO_I_FILTSET (register)Setting
	{1}	digital noise filter enable (Table 23)	

Table 21 Output digital noise filter setting

Setting		Function	Filter number of taps (tap_num)
OVERRIDE_O_FILTEN (register)	GPIO_O_FILTEN_0-2 (register)		
{0} (default)	-	digital noise filter disable	-
{1}	{0}	Digital noise filter disable (Table 23)	GPIO_O_FILTSET (register)
	{1}	Digital noise filter enable (Table 23)	

Table 22 GPIO_I_FILTEN_0-2(register) / GPIO_O_FILTEN_0-2(register) mapping

Register name	bit	Controlled terminal mapping		Description
		Primary chip mode	Secondary chip mode	
GPIO_I_FILTEN_0 (register) GPIO_O_FILTEN_0 (register)	[0]	D0/D19/SDA1(pin)	D19/D0(pin)	GPIO Input / output digital noise filter {0}:Disable {1}:Enable
	[1]	D1/D18/SCL1(pin)	D18/D1(pin)	
	[2]	D2/D17(pin)	D17/D2(pin)	
	[3]	D3/D16(pin)	D16/D3(pin)	
	[4]	D4/D15(pin)	D15/D4(pin)	
	[5]	D5/D14(pin)	D14/D5(pin)	
	[6]	D6/D13(pin)	D13/D6(pin)	
	[7]	D7/D12(pin)	D12/D7(pin)	
GPIO_I_FILTEN_1 (register) GPIO_O_FILTEN_1 (register)	[0]	D8/D11(pin)	D11/D8(pin)	
	[1]	D9/D10(pin)	D10/D9(pin)	
	[2]	D10/D9(pin)	D9/D10(pin)	
	[3]	D11/D8(pin)	D8/D11(pin)	
	[4]	D12/D7(pin)	D7/D12(pin)	
	[5]	D13/D6(pin)	D6/D13(pin)	
	[6]	D14/D5(pin)	D5/D14(pin)	
	[7]	D15/D4(pin)	D4/D15(pin)	
GPIO_I_FILTEN_2 (register) GPIO_O_FILTEN_2 (register)	[0]	D16/D3(pin)	D3/D16(pin)	
	[1]	D17/D2(pin)	D2/D17(pin)	
	[2]	D18/D1(pin)	D1/D18/SCL1(pin)	
	[3]	D19/D0(pin)	D0/D19/SDA1(pin)	

Table 23 Filter tap Setting

Register name	Description
GPIO_I_FILTSET(register)	Input digital noise filter setting Number of filter tap(tap_num) = GPIO_I_FILTSET+1
GPIO_O_FILTSET(register)	Output digital noise filter setting Number of filter tap (tap_num) = GPIO_I_FILTSET+1

10.9.2. LVCMOS Output buffer type configuration

The GPIO output buffer type can be selected between open-drain and push-pull. All output pins can be switched simultaneously by OBUF (pin), or each pin can be set by GPIO_OBUF_0-2 (register) via 2-wire serial interface.

Table 24 Output buffer type configuration

Setting GPIO_OBUF_0-2 (register)	Function
{0}	Set each GPIO output buffer type to open-drain
{1}	Set each GPIO output buffer type to push-pull

Table 25 GPIO_OBUF_0-3(register) mapping

Register name	Bit	Controlled terminal mapping		Description
		Primary chip mode	Primary chip mode	
GPIO_OBUF_0(register)	[0]	D0/D19/SDA1(pin)	D19/D0(pin)	GPIO output buffer type select {0}:open-drain {1}:push-pull
	[1]	D1/D18/SCL1(pin)	D18/D1(pin)	
	[2]	D2/D17(pin)	D17/D2(pin)	
	[3]	D3/D16(pin)	D16/D3(pin)	
	[4]	D4/D15(pin)	D15/D4(pin)	
	[5]	D5/D14(pin)	D14/D5(pin)	
	[6]	D6/D13(pin)	D13/D6(pin)	
	[7]	D7/D12(pin)	D12/D7(pin)	
GPIO_OBUF_1(register)	[0]	D8/D11(pin)	D11/D8(pin)	
	[1]	D9/D10(pin)	D10/D9(pin)	
	[2]	D10/D9(pin)	D9/D10(pin)	
	[3]	D11/D8(pin)	D8/D11(pin)	
	[4]	D12/D7(pin)	D7/D12(pin)	
	[5]	D13/D6(pin)	D6/D13(pin)	
	[6]	D14/D5(pin)	D5/D14(pin)	
	[7]	D15/D4(pin)	D4/D15(pin)	
GPIO_OBUF_2(register)	[0]	D16/D3(pin)	D3/D16(pin)	
	[1]	D17/D2(pin)	D2/D17(pin)	
	[2]	D18/D1(pin)	D1/D18/SCL1(pin)	
	[3]	D19/D0(pin)	D0/D19/SDA1(pin)	

10.9.3. 5V tolerant IO

Primary chip and Secondary chip are each equipped with 8 5V withstand voltage IOs.

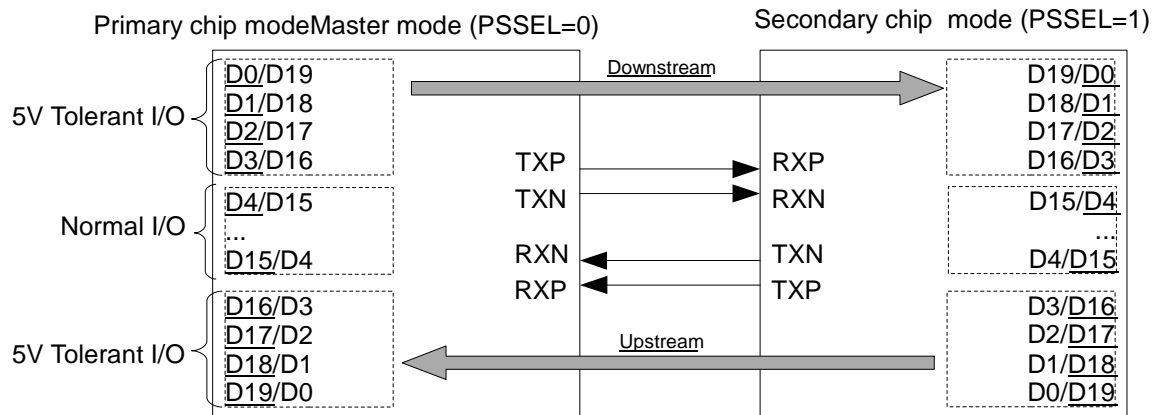


Figure 19 5V tolerant IO

10.9.4. LVSMOS Output drive strength setting

The THCS254 can set the output drive strength of REFOUT, D0 (pin) – D19 (pin), and READY pin with the TTLDRV (register). High drive setting is recommended when the reference clock frequency is 100 MHz or higher in external reference clock mode with VDD = 1.8 V drive and REFEN(pin)=H

Table 26 LVC MOS output drive strength setting

Setting	Description
TTLDRV(register)	
{0}	Normal(default)
{1}	High

10.9.5. CML output swing voltage and pre-emphasis setting

The CML output driver pre-emphasis compensates for the loss of high-frequency signal due to long-distance or high-speed transmission. The CML output swing voltage and pre-emphasis can be set by setting CMLDRV (register) and CMLPRE (register).

Table 27 CML differential output and Pre-emphasis settings

Setting		CML differential output peak to peak	Pre-emphasis	Description
CMLDRV [1:0] (register)	CMLPRE (register)			
{00}	{0}	400mVpp	0dB (0%)	-
	{1}	400mVpp	6dB (100%)	-
{01}	{0}	600mVpp	0dB (0%)	Default
	{1}	600mVpp	3.52dB (50%)	-
{10}	{0}	800mVpp	0dB (0%)	-
	{1}	800mVpp	0dB (0%)	-
{11}	{0}	Prohibition		-
	{1}	Prohibition		-

10.10. Clock configuration

10.10.1. Sampling clock select

Primary chip selects either external reference clock sampling or internal oscillator clock sampling with REFEN (pin).

Secondary chip uses SYNCEN (pin) to select whether to operate synchronously with the primary chip clock or asynchronously with the primary chip. If SYNCEN = 0 for asynchronous operation, REFEN (pin) is used to select external reference clock sampling or internal oscillator clock sampling.

When an external reference clock is used, the data sampling clock edge can be selected with RF_IN/OSCSEL0 (pin). Similarly, the data output clock edge is selected by RF_OUT/OSCSEL1 (pin). When internal oscillator clock sampling is selected by REFEN (pin) = 0, the internal oscillator clock frequency can be selected by RF_OUT/OSCSEL1 (pin) and RF_IN/OSCSEL0 (pin).

Table 28 Sampling Clock and RF_OUT/OSCSEL1, RF_IN/OSCSEL0 Function

PSSEL (pin)	SYNCEN (pin)	REFEN (pin)	REFIN (pin)	RF_OUT/OSCSEL1 (pin)	RF_IN/OSCSEL0 (pin)	Description
0	Invalid	0	-	Int. OSC clock sampling frequency setting (OSCSEL1, OSCSEL0)		Sampling with internal oscillator clock Frequency set by OSCSEL1 and OSCSEL0 (pin)
	Invalid	1	Ext. reference clock	Output data clock edge setting RF_OUT	Output data clock edge setting RF_IN	Sampling with external reference clock
1	0	0	-	Int. OSC clock sampling frequency setting (OSCSEL1, OSCSEL0)		Sampling with internal oscillator clock Frequency set by OSCSEL1 and OSCSEL0 (pin)
		1	Ext. reference clock	Output data clock edge setting RF_OUT	Output data clock edge setting RF_IN	Sampling with external reference clock
	1	Invalid	-	Invalid		Sampling with CDR clock
		Invalid	-	Invalid	Invalid	Sampling with CDR clock

Table 29 OSC Clock Sampling Frequency and External Clock Input frequency

REFEN (pin)	RF_OUT/OSCSEL1 (pin)	RF_IN/OSCSEL0 (pin)	OSC. frequency / Input frequency	CML data rate
0	0	0	20MHz±20%	480Mbps - 720Mbps
	0	1	40MHz±20%	960Mbps - 1440Mbps
	1	0		960Mbps - 1440Mbps
	1	1	80MHz±20%	1920Mbps - 2880Mbps
1	-	-	15 - 133.3MHz	0.45 - 4.0Gbps
	-	-		

10.10.2. Clock edge select (RF_IN, RF_OUT)

When REFEN=1 (external reference clock is used), clock edge switching function is Enable.

The RF_IN/OSCSEL0 pin can be used to set the input data sampling edge when an external reference clock is used, and the RF_OUT/OSCSEL1 pin can be used to set the REFOUT output clock edge. The polarity of RF_IN and RF_OUT is the clock edge that defines Setup/Hold timing.

Table 30 RF Function

Pin name	Description
RF_IN	0 : Fall Edge (Default)
RF_OUT	1 : Rise Edge

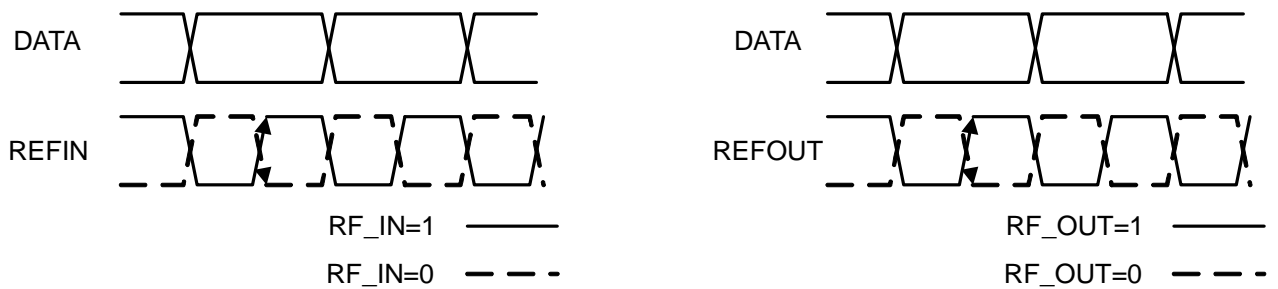


Figure 20 RF_IN, RF_OUT Function

10.11. Spread spectrum clock generator and REFIN(pin) frequency

THCS254 enables spread spectrum clock output by enabling SSCG PLL with SSEN (pin). When 2-wire serial interface is enabled (ENI2C=1), the modulation frequency and modulation rate of the spread spectrum clock can be set.

When SYNCEN (pin) = 1, the spread spectrum clock is set only on the transmitter clock side of the primary chip.

When SYNCEN (pin) = 0, it can be multiplied to both primary and secondary chips.

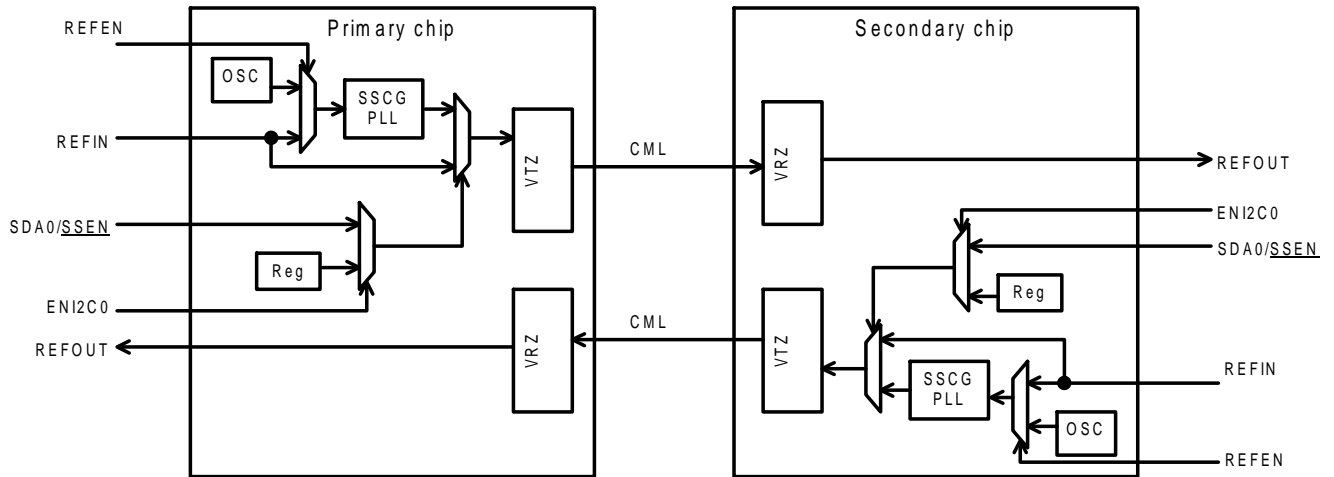


Figure 21 Spread Spectrum Configuration

Table 31 Spread Spectrum Setting

Register name	Description
SPREAD[4:0] (register)	Modulation rate setting Modulation rate = SPREAD
FMOD[3:0] (register)	Modulation frequency setting

The modulation frequency of the spread spectrum clock is determined by the following formula.

$$f_{\text{mod}} = \frac{f_{\text{ref}}}{512 \times \text{FMOD}}$$

10.12. PWM signal output function

The THCS254 can output PWM signals from the D2/D17/PWMOUT pins.

Access the PWMH [7:0] and PWML [7:0] registers via the 2-wire serial interface to set the L/H period in 256 steps, and enable PWMOUT with the PWMEN register.

$$\text{PWM High period} = (1/80\text{MHz} \pm 20\%) \times \text{PWMH}(0 \sim 255)[\text{ns}]$$

$$\text{PWM Low period} = (1/80\text{MHz} \pm 20\%) \times \text{PWML}(0 \sim 255)[\text{ns}]$$

Except,

When PWML = 0x00 and PWMH = 0x00, D2/D29/PWMOUT pin is fixed low.

When PWML = 0x00 and PWMH = 0x01, D2/D29/PWMOUT pin is fixed high.

10.13. CRC

THCS254 adds CRC data (CRC8) to GPIO signals and during 2-wire serial communication to avoid outputting abnormal data when bit errors occur. The CRC is inserted once every 4 sampling clocks when DATAWIDTH=1 and once every 6 sampling clocks when DATAWIDTH=0. The CRC data insertion is shown in the figure below.

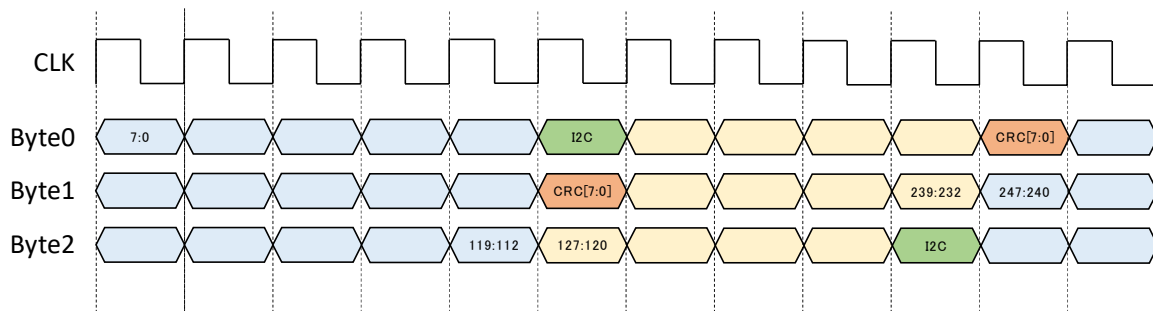


Figure 22 CRC data

10.14. Error detection and notification

10.14.1. READY signal

The THCS254 notifies with READY(pin) when the link between the Primary chip and the Secondary chip is established and data transmission and I2C transmission are possible. When the transmitter's PLL, receiver's CDR, and SSCG PLL (when the spread spectrum clock is enabled) are locked and normal pattern transmission is enabled, READY(pin)=H is displayed.

When there is no link error such as clock error or off-lock, the READY signal is output high, and data error is notified from INTN (pin). When a link error is detected, READY (pin) goes low and enters the re-link-up sequence.

During the READY(pin)=L period, data transmission, 2-wire serial communication across devices (access to internal registers of secondary chip, access to remote device registers) is prohibited. Access to the internal registers of the chip set to the 2-wire serial interface target (Primary chip) is possible. Notification from READY (pin) is possible for both Primary chip and Secondary chip.

Table 32 Operation of READY(pin)

READY (pin)	Description
L	Link not established. Data transmit and receive is inhibited. I2C access to secondary chips or remote devices is prohibited.
H	Link established. Data transmit and receive, I2C access available.

10.14.2. INTN signal

When the THCS254 detects errors in the CRC error check result on the CML line, it signals these as interrupt causes through INTN (pin). INTN signal is a low active open drain output.

When the interrupt register is enabled, the INTN (pin) transitions from INTN (high) to low when an error that causes an interrupt occurs, and INTN (pin) = low is maintained until the interrupt status register is cleared.

When the interrupt register is disabled, INTN (pin) = L when any interrupt factor occurs. INTN (pin) = L is output until the data error is cleared, and returns to INTN (pin) = H (pull-up) when the data error is cleared. At this time, the GPIO output signal updates the output data only when INTN (pin) = High, and holds the output before the error occurs when INTN (pin) = Low.

The THCS254 detects CRC signals inserted in communication packets and notifies the user via INTN (pin). There are two types of CRC signals: one is embedded in the downstream/upstream GPIO error detection byte and the other is embedded in the 2-wire serial transmit/receive error detection byte. Normally, the CRC for 2-wire serial transmission and reception is an invalid signal when 2-wire serial communication is not being used. However, if noise is mixed in during transmission and the CRC data is corrupted, as it is during communication, a 2-wire serial communication CRC error may occur even if 2-wire serial communication is not being used.

10.15. Standby mode: STANDBY(register)=1

Standby mode is an operation mode that enables data transmission at low sampling rate and low power consumption. The transition from normal mode to standby mode and from standby mode to normal mode is initiated by STANDBY (register) access via 2-wire serial. STANDBY(register) exists only on the 2-wire serial target of primary chip. In standby mode, handshake communication is performed between the primary chip and secondary chip. Operation can be selected between sampling and data transmission (polling) at intervals set by STBY_CYCLE (register) and data transmission by detecting changes in the pins for standby mode or I2C input. A maximum of eight GPIO signals can be used for data transmission. The number and direction of the number of signals used are set by the STBY_NUM_DS (register) and STBY_NUM_US (register) of the primary chip. The number of pins in the downstream direction is set by STBY_NUM_DS (register) and the number of pins in the upstream direction by STBY_NUM_US (register). Upon entry into standby mode, if the link was established in normal mode, the READY signal goes low once, and when handshake communication is established, the READY signal goes high again to enable signal transmission. The interrupt status register (transmission error generation interrupt, I2C interrupt, etc.) and INT are cleared during normal operation. If the opposing device exits from standby mode or power down after the READY signal goes high, the primary chip side detects no response from the secondary chip and the secondary chip side detects a timeout in the request interval from the primary chip and sets the READY signal low. The primary chip issues the first request command 1.5 ms (typ) after entering standby mode. The sampling interval for polling operation can be changed by setting the STBY_CYCLE register on the primary chip side. No setting is required on the secondary chip side.

Table 33 Standby Mode Operation Select

STNADBY (register)	STBY_MODE (register)	Description
0	Ignore	Normal operation
1	0 (default)	Only polling operation
	1	Polling and external trigger operation

Table 34 STBY_NUM_DS, STBY_NUM_US vs Standby mode data pin state example

STBY_NUM_DS (register)	0	1	1	1	1	1	0	4	4	4	4	4	8	8	8
STBY_NUM_US (register)	0	0	1	2	7	8	8	0	1	2	7	8	0	1	8
D0/D19/SDA1	Down	Down	Down	Down	Down	Down	Up	Down	Down	Down	Down	Down	Down	Down	Down
D1/D18/SCL1	Normal terminal handling	Normal terminal handling	Normal terminal handling	Normal terminal handling	Up	Up	Up	Down	Down	Down	Down	Down	Down	Down	Down
D2/D29					Up	Up	Up	Down	Down	Down	Down	Down	Down	Down	Down
D3/D28					Up	Up	Up	Down	Down	Down	Down	Down	Down	Down	Down
D28/D3					Up	Up	Up	Normal terminal handling	Normal terminal handling	Normal terminal handling	Up	Up	Down	Down	Down
D29/D2			Up	Up	Up	Up	Up				Down	Down	Down	Down	
D30/D1			Up	Up	Up	Up	Up				Down	Down	Down	Down	
D31/D0			Up	Up	Up	Up	Up				Down	Down	Down	Down	

Table 35 Output of normal data pin in standby mode

STBY_DOUT (register)	Description
0	Hi-Z(Default)
1	Holds status before standby mode entry

Table 36 Standby Mode Sampling Rate Setting (Primary chip only)

Register name	Description
STBY_CYCLE (register)	000 : 50ms 001 : 100ms(Default) 010 : 150ms 011 : 200ms 100 : 250ms 101 : 300ms 110 : 350ms 111 : 400ms Values are Typical values. Guaranteed value is $\pm 20\%$ of the above value due to OSC variation.

Table 37 Registers that need to be set in standby mode

Register Name	Primary chip	Secondary chip
STBY_DRV	As required	As required
STBY_NUM_DS	Required	Not Required
STBY_NUM_US	Required	Not Required
STBY_CYCLE	Required	Not Required
STBY_DOUT	As required	As required
STBY_MODE	As required	Prohibition
STANBY	Required	Required

11. Register map

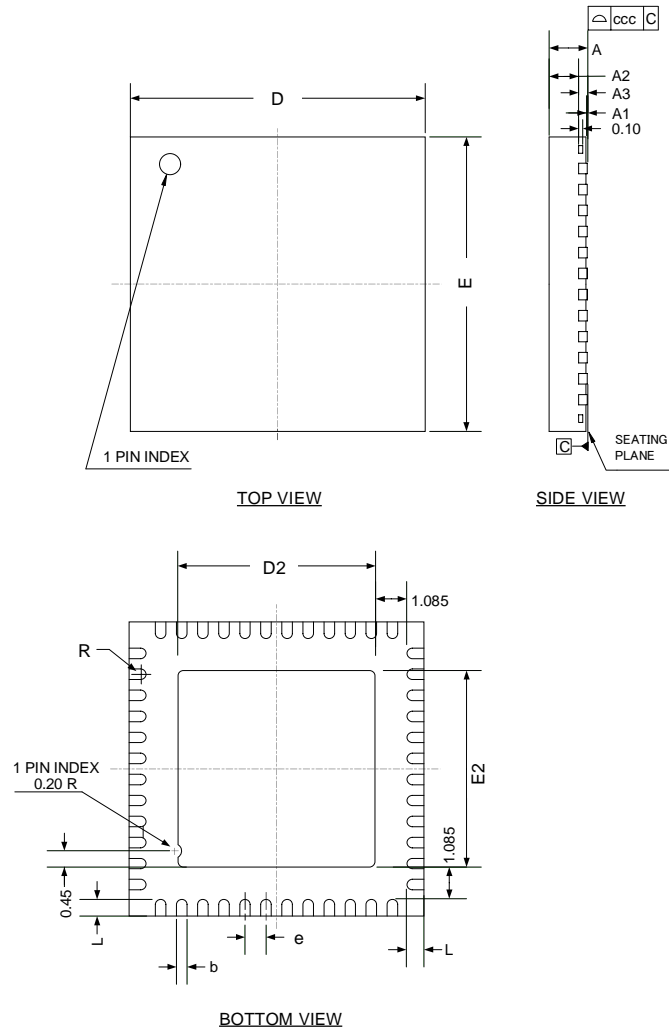
Target address (Hex)	Controller address (Hex)	Bit #	R/W	Default (Hex)	Register name	Description
0x00	0x80	3	R	-	STBY_READY	READY signal status in standby mode 0: READY=L or Normal mode 1: READY=H
		2	R	-	LINK_READY	READY signal status in normal mode 0: READY=L or standby mode 1: READY=H
		0	R	-	INT	INT status (INTN(pin) inversion) 0: No error 1: Error occurred
0x01	0x81	2	R/W	0	I2C_CRC	0: 2-wire serial com error occurred 1: Error clear
		1	R/W	0	US_CRC	0: Upstream error occurred 1: Error clear
		0	R/W	0	DS_CRC	0: Downstream error occurred 1: Error clear
0x02	0x82	2	R/W	0	I2C_CRC_EN	0: 2-wire serial come error interrupt enable 1: 2-wire serial come error interrupt disable
		1	R/W	0	US_CRC_EN	0: Upstream error interrupt enable 1: Upstream error interrupt disable
		0	R/W	0	DS_CRC_EN	0: Downstream error interrupt enable 1: Downstream error interrupt disable
0x03	0x83	0	R/W	0	ENI2C1	2-wire serial interface SDA1/SCL1 0: Disable 1: Enable
0x04	0x84	0	R/W	0	I2C_EXPAND	I/O Expander mode 0: Disable (GPIO transceiver mode) 1: Enable
0x05	0x85	7:0	R	0x00	GPIO_IN_0	GPIO[7:0] input status monitor
0x06	0x86	7:0	R	0x00	GPIO_IN_1	GPIO[15:8]input status monitor
0x07	0x87	3:0	R	0x00	GPIO_IN_2	GPIO[19:16]input status monitor
0x09	0x89	7:0	R/W	0x00	GPIO_OUT_0	GPIO[7:0] output setting (Applicable only to I/O expansion mode)
0x0A	0x8A	7:0	R/W	0x00	GPIO_OUT_1	GPIO[15:8] output setting (Applicable only to I/O expansion mode)
0x0B	0x8B	3:0	R/W	0x00	GPIO_OUT_2	GPIO[19:16] output setting (Applicable only to I/O expansion mode)
0x0D	0x8D	7:0	R/W	0xFF	GPIO_OEN_0	GPIO [7:0] direction select 0:output 1:input
0x0E	0x8E	7:0	R/W	0xFF	GPIO_OEN_1	GPIO [15:8] direction select 0:output 1:input
0x0F	0x8F	3:0	R/W	0xFF	GPIO_OEN_2	GPIO [19:16] direction select 0:output 1:input
0x11	0x91	0	R/W	0	OVERRIDE_OEN	GPIO_OEN setting method select 0: Input/output default values per use case 1: Register setting GPIO_OEN_0-3
0x12	0x92	7:0	R/W	0xFF	GPIO_OBUF_0	GPIO [7:0] Output buffer type select 0:Open Drain 1:Pushpull
0x13	0x93	7:0	R/W	0xFF	GPIO_OBUF_1	GPIO [15:8] Output buffer type select 0:Open Drain 1:Pushpull
0x14	0x94	3:0	R/W	0xFF	GPIO_OBUF_2	GPIO [19:16] Output buffer type select 0:Open Drain 1:Pushpull
0x16	0x96	7:0	R/W	0x00	Reserved	Must be 0
0x17	0x97	7:0	R/W	0xFF	GPIO_I_FILTERN_0	GPIO [7:0] input digital noise filter 0:Disable 1:Enable
0x18	0x98	7:0	R/W	0xFF	GPIO_I_FILTERN_1	GPIO [15:8] input digital noise filter 0:Disable 1:Enable
0x19	0x99	3:0	R/W	0xFF	GPIO_I_FILTERN_2	GPIO [23:16] input digital noise filter 0:Disable 1:Enable
0x1B	0x9B	7:0	R/W	0x03	GPIO_I_FILTERSET	Input digital noise filter setting Number of filter tap = GPIO_I_FILTERSET+1
0x1C	0x9C	0	R/W	0	OVERRIDE_I_FILTERN	Input digital noise filter enable setting method 1: GPIO_I_FILTERN_0-3(register)

0x1D	0x9D	7:0	R/W	0xFF	GPIO_O_FILTEN_0	GPIO[7:0] output digital noise filter 0:Disable 1:Enable
0x1E	0x9E	7:0	R/W	0xFF	GPIO_O_FILTEN_1	GPIO[15:8] output digital noise filter 0:Disable 1:Enable
0x1F	0x9F	3:0	R/W	0xFF	GPIO_O_FILTEN_2	GPIO[23:16] output digital noise filter 0:Disable 1:Enable
0x21	0xA1	7:0	R/W	0x03	GPIO_O_FILTSET	Output digital noise filter setting Number of filter tap = GPIO_O_FILTSET+1
0x22	0xA2	0	R/W	0	OVERRIDE_O_FLTEN	Output digital noise filter enable setting method 0: FILTSEL1(pin) and FILTSEL0(pin) 1: GPIO_I_FILTEN_0-3(register)
0x23	0xA3	7:0	R	0x00	CRC_ERROR_COUNT[15:8]	Number of CRC error (MSB 8bit)
0x24	0xA4	7:0	R	0x00	CRC_ERROR_COUNT[7:0]	Number of CRC error (LSB 8bit)
0x25	0xA5	0	W	-	CRC_ERROR_COUNT_CLEAR	1 Write : CRC ERROR COUNT[15:0] clear
0x26	0xA6	7:0	R/W	0x64	I2CPERIOD0	I2C0 Controller Bit Rate 10,000/I2CPERIOD0 kbps
0x27	0xA7	7:0	R/W	0x64	I2CPERIOD1	I2C1 Controller Bit Rate 10,000/I2CPERIOD0 kbps
0x28	0xA8	7:4	R/W	0x6	I2C_WDT_STBY	2-wire serial controller / target watch dog timer (Standby) 0 : Watch dog timer disable 1: 50ms 2: 151ms 3: 352ms 4: 755ms 5: 1.56s 6: 3.17s 7: 6.39s 8: 12.8s 9: 25.7s 10: 51.5s 11: 103s 12: 206s 13: 412s 14: 825s 15 : 1650s
		3:0	R/W	0xF	I2C_WDT	2-wire serial controller / target watch dog timer (Normal operation) Setting value of controller >= Setting value of target 0: Watch dog timer disable Controller Target 1: 0.0123ms 0.0246ms 2: 0.0369ms 0.0738ms 3: 0.0860ms 0.172ms 4: 0.184ms 0.368ms 5: 0.381ms 0.762ms 6: 0.774ms 1.55ms 7: 1.56ms 3.12ms 8: 3.13ms 6.26ms 9: 6.28ms 12.6ms 10: 12.6ms 25.2ms 11: 25.2ms 50.4ms 12: 50.3ms 101ms 13: 101ms 202ms 14: 201ms 402ms 15: 403ms 806ms

0x29	0xA9	4	R/W	0	STBY_DRV	Standby mode CML differential output voltage setting 0: 200mV 1: 300mV
		3	R/W	0	CMLPRE	Normal mode CML differential Pre-emphasis setting 0:0dB (default) 1: Depends on the CMLDRV
		2:1	R/W	0x1	CMLDRV	Normal mode CML differential output voltage setting 0x0: 200mV 0x1: 300mV 0x2: 400mV 0x3: Prohibition
		0	R/W	0	TTLDRV	LVCOS output drive strength setting 0: Normal 1: High
0x2A	0xAA	0	R/W	0	Reserved	Must be 0
0x2B	0xAB	4:0	R/W	0x05	SPREAD	SSCG modulation rate setting Modulation rate = SPREAD * ±0.1% Maximum ±0.5%
0x2C	0xAC	2:0	R/W	0x6	FMOD	SSCG modulation frequency(fmod)Setting Maximum 30kHz $f_{mod} = \frac{f_{ref}}{512 \times FMOD}$
0x2D	0xAD	1	R/W	0	Reserved	Must be 0
		0	R/W	0	Reserved	Must be 0
0x2E	0xAE	7:0	R/W	0x00	PWMH	PWMH period 0x00: When PWML=0x00, L fixed 0x01: H period 1 clock, (When PWML=0x00, H fixed) ~ 0xFF: H period 255 clock
0x2F	0xAF	7:0	R/W	0x00	PWML	PWML period 0x00: When PWML=0x00, L fixed, When PWMH=0x01, H fixed. 0x01: H period 1 clock, ~ 0xFF: H period 255 clock
0x30	0xB0	0	R/W	0	PWM_EN	PWM output enable
0x31	0xB1	7:4	R/W	0x4	STBY_NUM_DS	Number of Standby mode downstream GPIO setting: Maximum 0x8 (0x9-0xF is considered 0x8) *Set primary chip only
		3:0	R/W	0x4	STBY_NUM_US	Number of Standby mode upstream GPIO setting: Maximum 0x8 (0x9-0xF is considered 0x8) *Set primary chip only
0x32	0xB2	2:0	R/W	0x1	STBY_CYCLE	Standby mode polling period setting *Set primary chip only 0x0: 50ms 0x1: 100ms 0x2: 150ms 0x3: 200ms 0x4: 250ms 0x5: 300ms 0x6: 350ms 0x7: 400ms
0x33	0xB3	0	R/W	0	STBY_DOUT	Standby mode static GPIO output status *Set by primary chip/secondary chip respectively 0: Hi-Z (default) 1: Holds status before standby mode entry
0x34	0xB4	0	R/W	0	STBY_MODE	Standby mode hand shake com start condition 0: Polling operation 1: Polling operation and external trigger
0x35	0xB5	0	R/W	0	STANDBY	0: Normal operation 1: Standby
0x36	0xB6	0	R/W	0	Reserved	Must be 0
0x37	0xB7	7:4	R	0	Reserved	Must be 0

		3:0	R	0	Reserved	Must be 0
0x38	0xB8	7:0	R/W	0x0F	Reserved	0x0F fixed
0x39	0xB9	7:0	R/W	0x1F	Reserved	0x1F fixed
0x3A	0xBA	3:0	R/W	0x4	Reserved	0x4 fixed
0x3B	0xBB	7:0	R	0	Reserved	Must be 0
0x3C	0xBC	4:0	R	0	Reserved	Must be 0
0x3D	0xBD	7:0	R/W	0x00	Reserved	Must be 0

12. Package

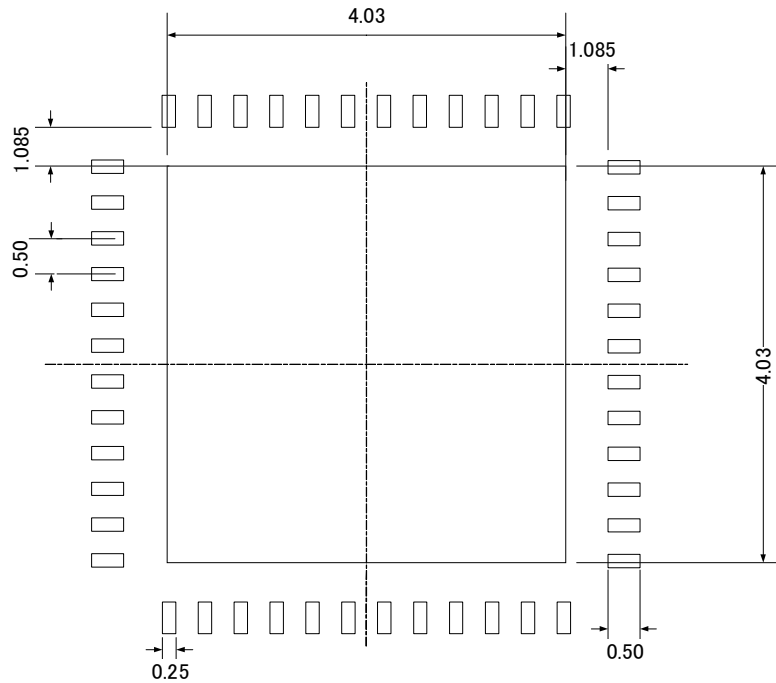


Unit : mm

Symbol	Items	Min.	Nom.	Max.
A	Mounting Height	0.80	0.85	0.90
A1	Standoff	0.00	0.025	0.05
A2	-	0.60	0.65	0.70
A3	-	(0.20)		
b	Terminal Width	0.18	0.25	0.30
D	Body Length	7.00 BSC		
D2	Exposed Length	3.93	4.03	4.13
E	Body Width	7.00 BSC		
E2	Exposed Width	3.93	4.03	4.13
L	-	0.35	0.40	0.45
e	Pitch	0.50 BSC		
R	-	0.09	0.125	0.15
ccc	Coplanarity	0.05		

Figure 23 48-pin QFN package physical dimension

13. Reference land pattern



(Note)

Please carefully consider your SMT conditions (Material of substrate, Solder Composition, Reflow Condition and so on), and adjust the Land Pattern at your own risk.

If there is any inconsistency or conflict between the English and Japanese versions, the English version shall prevail.

14. Notices and Requests

1. The product specifications described in this material are subject to change without prior notice.
2. The circuit diagrams described in this material are examples of the application which may not always apply to the customer's design. THine Electronics, Inc. ("THine") is not responsible for possible errors and omissions in this material. Please note even if errors or omissions should be found in this material, THine may not be able to correct them immediately.
3. This material contains THine's copyright, know-how or other intellectual property rights. Copying, reverse-engineer or disclosing to third parties the contents of this material without THine's prior written permission is prohibited.
4. THINE ACCEPTS NO LIABILITY FOR ANY DAMAGE OR LOSS IN CONNECTION WITH ANY DISPUTE RELATING TO INTELLECTUAL PROPERTY RIGHTS BETWEEN THE USER AND ANY THIRD PARTY, ARISING OUT OF THIS PRODUCT, EXCEPT FOR SUCH DAMAGE OR LOSS IN CONNECTION WITH DISPUTES SUCCESSFULLY PROVED BY THE USER THAT SUCH DISPUTES ARE DUE SOLELY TO THINE. NOTE, HOWEVER, EVEN IN THE AFOREMENTIONED CASE, THINE ACCEPTS NO LIABILITY FOR SUCH DAMAGE OR LOSS IF THE DISPUTE IS CAUSED BY THE USER'S INSTRUCTION.
5. This product is not designed for applications that require extremely high-reliability/safety such as aerospace device, nuclear power control device, or medical device related to critical care, excluding when this product is specified for automotive use by THine and used it for that purpose. THine accepts no liability whatsoever for any damages, claims or losses arising out of the uses set forth above.
6. Despite our utmost efforts to improve the quality and reliability of the product, faults will occur with a certain small probability, which is inevitable to a semi-conductor product. Therefore, you are encouraged to have sufficiently fail-safe design principles such as redundant or error preventive design applied to the use of the product so as not to have our product cause any social or public damage.
7. This product may be permanently damaged and suffer from performance degradation or loss of mechanical functionality if subjected to electrostatic charge exceeding capacity of the ESD (Electrostatic Discharge) protection circuitry. Safety earth ground must be provided to anything in contact with the product, including any operator, floor, tester and soldering iron.
8. Please note that this product is not designed to be radiation-proof.
9. Testing and other quality control techniques are used to this product to the extent THine deems necessary to support warranty for performance of this product. Except where mandated by applicable law or deemed necessary by THine based on the user's request, testing of all functions and performance of the product is not necessarily performed.
10. This product must be stored according to storage method which is specified in this specifications. THine accepts no liability whatsoever for any damage or loss caused to the user due to any storage not according to above-mentioned method.
11. Customers are asked, if required, to judge by themselves if this product falls under the category of strategic goods under the Foreign Exchange and Foreign Trade Act in Japan and the Export Administration Regulations in the United States of America on export or transit of this product. This product is prohibited for the purpose of developing military modernization, including the development of weapons of mass destruction (WMD), and the purpose of violating human rights.
12. The product or peripheral parts may be damaged by a surge in voltage over the absolute maximum ratings or malfunction, if pins of the product are shorted by such as foreign substance. The damages may cause a smoking and ignition. Therefore, you are encouraged to implement safety measures by adding protection devices, such as fuses. THine accepts no liability whatsoever for any damage or loss caused to the user due to use under a condition exceeding the limiting values.
13. All patents or pending patent applications, trademarks, copyrights, layout-design exploitation rights or other intellectual property rights concerned with this product belong to THine or licensor(s) of THine. No license or right is granted to the user for any intellectual property right or other proprietary right now or in the future owned by THine or THine's licensor. The user must enter into a license agreement with THine or THine's licensor to be granted of such license or right.

THine Electronics, Inc.

<https://www.thine.co.jp>