

WR-42 Straight Waveguide Section 4 Inch Length, UG Square Cover and Grooved Flange from 17.6 GHz to 26.7 GHz

TECHNICAL DATA SHEET

PEW42S001-4

Pasternack's PEW42S001-4 is a 4 inch WR-42 straight waveguide section that operates from 17.6 GHz to 26.7 GHz. This straight waveguide section offers a maximum 1.05:1 VSWR. The input of this straight waveguide section has a UG Cover and Grooved Flange. PEW42S001-4 is part of over 40,000 RF, microwave and millimeter wave components. WR-42 straight waveguide section will ship worldwide the same day it is purchased along with our other RF components.

Features

- WR-42 Waveguide Section
- UG Grooved and Cover Flanges
- Frequency Range 17.6 GHz to 26.7 GHz
- 4 inch length
- Maximum VSWR 1.05:1
- Metrology grade for VNA calibration

Applications

- Transmission Systems
- Test and Laboratory Setups
- VNA Calibration

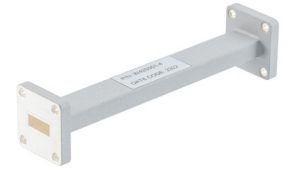
Electrical Specifications

Description	Minimum	Typical	Maximum	Units
Frequency Range	17.6		26.7	GHz
VSWR			1.05:1	
Insertion Loss Max			0.2	dB

Mechanical Specifications

Waveguide Size	WR-42
Section Length	3.94 in [[100.08 mm]]
Flange 1	
Flange Type	UG Cover
Material	Brass
Waveguide	
Interface	WR-42
Material	Brass
Plating	Silver
Flange 2	
Flange Type	UG Grooved
Material	Brass
Size	
Weight	0.13 lbs [58.97 g]

Click the following link (or enter part number in "SEARCH" on website) to obtain additional part information including price, inventory and certifications: [WR-42 Straight Waveguide Section 4 Inch Length, UG Square Cover and Grooved Flange from 17.6 GHz to 26.7 GHz PEW42S001-4](#)



WR-42 Straight Waveguide Section 4 Inch Length, UG Square Cover and Grooved Flange from 17.6 GHz to 26.7 GHz

TECHNICAL DATA SHEET

PEW42S001-4

Compliance Certifications (see [product page](#) for current document)

Notes:

- Values at +25 °C, sea level

WR-42 Straight Waveguide Section 4 Inch Length, UG Square Cover and Grooved Flange from 17.6 GHz to 26.7 GHz from Pasternack Enterprises has same day shipment for domestic and International orders. Our RF, microwave and millimeter wave products maintain a 99.4% availability and are part of the broadest selection in the industry.

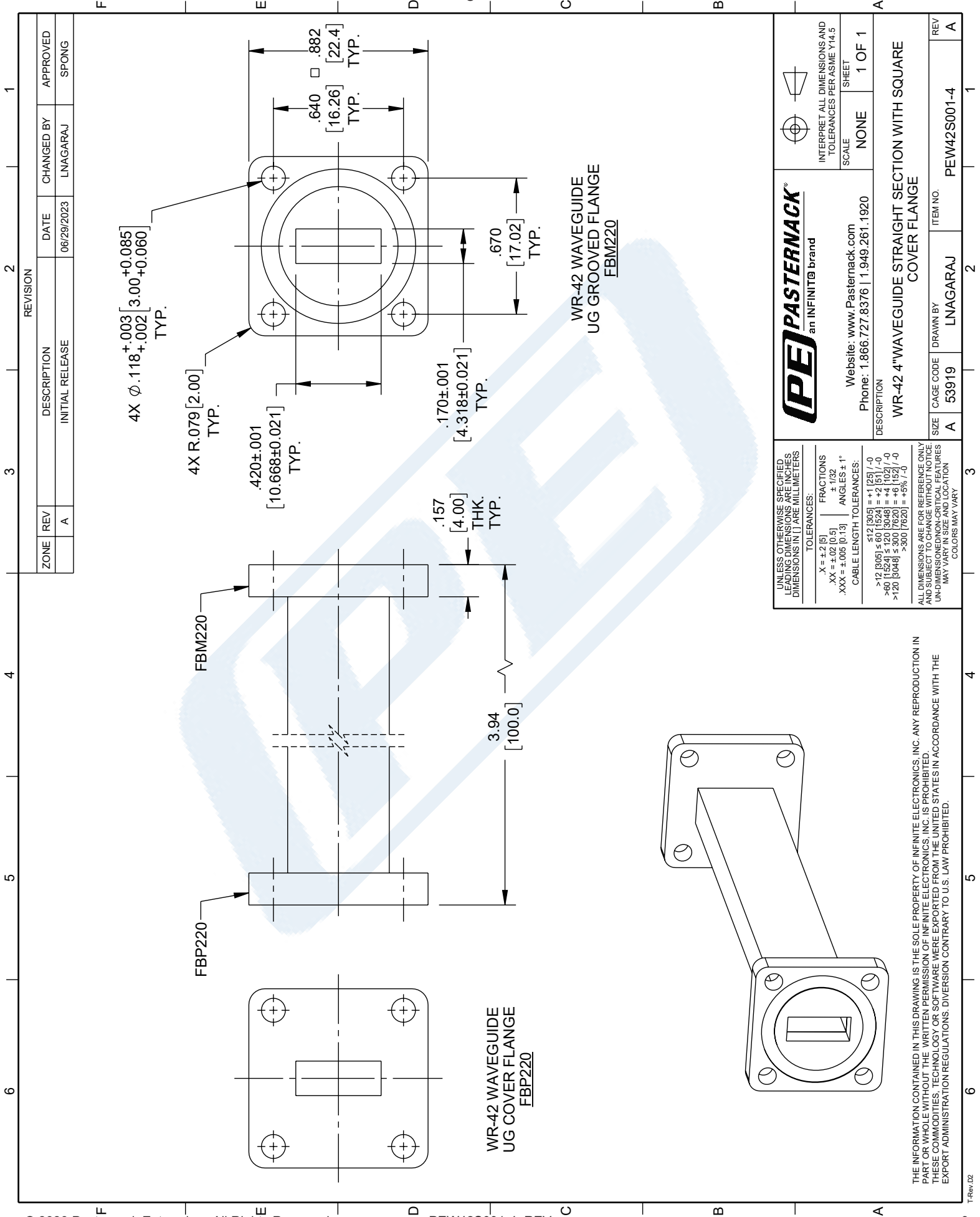
Click the following link (or enter part number in "SEARCH" on website) to obtain additional part information including price, inventory and certifications: [WR-42 Straight Waveguide Section 4 Inch Length, UG Square Cover and Grooved Flange from 17.6 GHz to 26.7 GHz PEW42S001-4](#)

URL: <https://www.pasternack.com/wr-42-straight-waveguide-section-ug-pew42s001-4-p.aspx>

The information contained in this document is accurate to the best of our knowledge and representative of the part described herein. It may be necessary to make modifications to the part and/or the documentation of the part, in order to implement improvements. Pasternack reserves the right to make such changes as required. Unless otherwise stated, all specifications are nominal. Pasternack does not make any representation or warranty regarding the suitability of the part described herein for any particular purpose, and Pasternack does not assume any liability arising out of the use of any part or documentation.

PEW42S001-4 CAD Drawing

WR-42 Straight Waveguide Section 4 Inch Length, UG Square Cover and Grooved Flange from 17.6 GHz to 26.7 GHz



PE PASTERNAK
an INFINITB brand

Website: www.Pasternack.com
Phone: 1.866.727.8376 | 1.949.261.1920

UNLESS OTHERWISE SPECIFIED, LEADING DIMENSIONS ARE IN INCHES, DIMENSIONS IN [] ARE MILLIMETERS.

TOLERANCES:

.X = ±.2 [5]	FRACTIONS ± 1/32
.XX = ±.02 [0.5]	ANGLES ± 1°
.XXX = ±.005 [0.13]	CABLE LENGTH TOLERANCES:
	<12 [305] ≤ 60 [1525] = ±.1 [5] / -0
	>60 [1524] ≤ 120 [3048] = ±.2 [5] / -0
	>120 [3048] ≤ 300 [7620] = ±.6 [15] / -0
	>300 [7620] = +5% / -0

ALL DIMENSIONS ARE FOR REFERENCE ONLY. UNLESS OTHERWISE SPECIFIED, LEADING DIMENSIONS ARE IN INCHES, DIMENSIONS IN [] ARE MILLIMETERS. COLORS MAY VARY.

INTERPRET ALL DIMENSIONS AND TOLERANCES PER ASME Y14.5

SCALE: NONE SHEET: 1 OF 1

DESCRIPTION: WR-42 4" WAVEGUIDE STRAIGHT SECTION WITH SQUARE COVER FLANGE

SIZE: A CAGE CODE: A 53919 DRAWN BY: LNAGARAJ ITEM NO.: PEW42S001-4

THE INFORMATION CONTAINED IN THIS DRAWING IS THE SOLE PROPERTY OF INFINITE ELECTRONICS, INC. ANY REPRODUCTION IN PART OR WHOLE WITHOUT THE WRITTEN PERMISSION OF INFINITE ELECTRONICS, INC. IS PROHIBITED. THESE COMMODITIES, TECHNOLOGY OR SOFTWARE WERE EXPORTED FROM THE UNITED STATES IN ACCORDANCE WITH THE EXPORT ADMINISTRATION REGULATIONS. DIVERSION CONTRARY TO U.S. LAW PROHIBITED.