

## WRD-180 Waveguide Termination 0.5 Watts with a 18 GHz to 40 GHz Frequency Range in Brass

The FMWRD180TR1000 is a double-ridge waveguide termination (load) that is part of a family of high performance loads with UG style square cover flange. They are designed so that virtually all the applied power is absorbed, thus assuring a low VSWR. These standard terminations, offered in the Ka through W waveguide bands can dissipate 0.4 to 6 Watts of power depending on the specific band.

### Electrical Specifications

Description	Min	Typ	Max	Units
Frequency Range	18		40	GHz
VSWR			1.15:1	
Input Power (CW)			0.5	Watts

### Mechanical Specifications

Size	
Length	4.29 in [108.97 mm]
Weight	1 lbs [453.59 g]

Description	Flange	Waveguide
Designation	UG	WRD-180
Type	Square Cover	
Material	Brass	Oxygen Free Hard Copper
Plating	Gold	Gold

**Compliance Certifications** (see [product page](#) for current document)

### Plotted and Other Data

Notes:

WRD-180 Waveguide Termination 0.5 Watts with a 18 GHz to 40 GHz Frequency Range in Brass from Fairview Microwave is in-stock and available to ship same-day. All of our RF/microwave products are available off-the-shelf from our ISO 9001:2008 certified facilities in Lewisville, Texas. Fairview Microwave is RF on-demand.

For additional information on this product, please click the following link: [WRD-180 Waveguide Termination 0.5 Watts with a 18 GHz to 40 GHz Frequency Range in Brass FMWRD180TR1000](#)

URL: <https://www.fairviewmicrowave.com/wrd-180-waveguide-termination-0.4-watts-instrumentation-grade-75-110-ghz-fmwr180tr1000-p.aspx>

The information contained in this document is accurate to the best of our knowledge and representative of the part described herein. It may be necessary to make modifications to the part and/or the documentation of the part, in order to implement improvements. Fairview Microwave reserves the right to make such changes as required. Unless otherwise stated, all specifications are nominal. Fairview Microwave does not make any representation or warranty regarding the suitability of the part described herein for any particular purpose, and Fairview Microwave does not assume any liability arising out of the use of any part or documentation.



### Features:

- WRD-180 Double-Ridge Waveguide
- 18 to 40 GHz
- UG Style Square Cover Flange
- 1.15:1 Maximum VSWR
- 0.5 Watt Max Power Handling

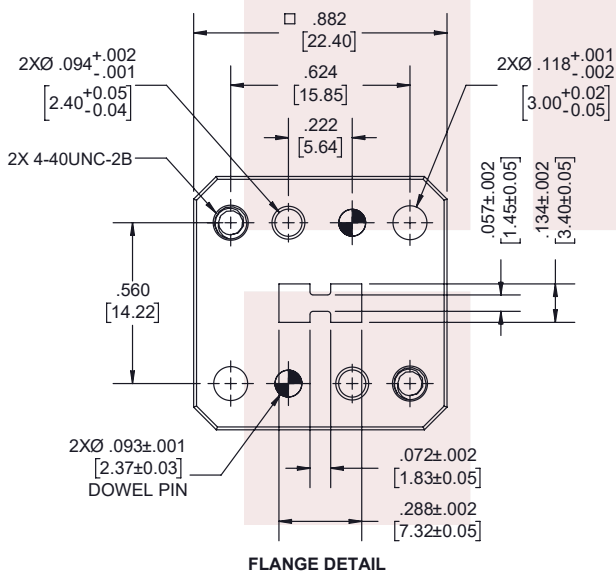
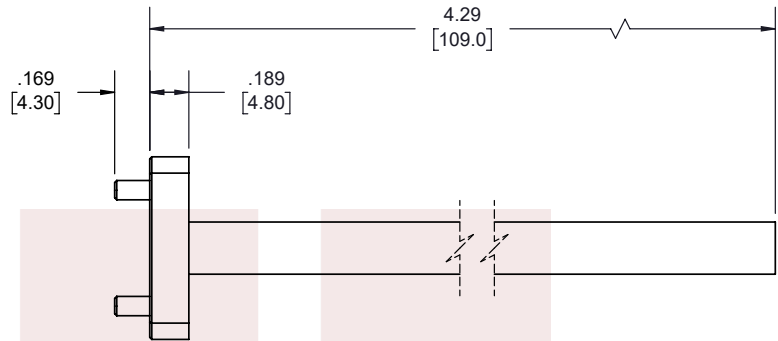
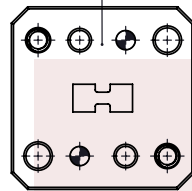
### Applications:

- Testing and Instrumentation
- Precision measurements
- Prototyping and characterization
- Production Systems

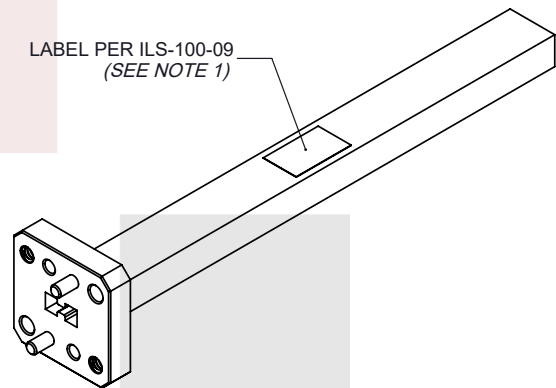
Fairview Microwave  
 301 Leora Ln., Suite 100  
 Lewisville, TX 75056  
 Tel: 1-800-715-4396 / (972) 649-6678  
 Fax: (972) 649-6689  
[www.fairviewmicrowave.com](http://www.fairviewmicrowave.com)  
[sales@fairviewmicrowave.com](mailto:sales@fairviewmicrowave.com)

REVISIONS			
REV.	DESCRIPTION	DATE	APPROVED
A	INITIAL RELEASE	10/2/2020	S.PONG

WRD180 DOUBLE-RIDGE  
FPWRD180C24 COVER FLANGE



LABEL PER ILS-100-09  
(SEE NOTE 1)



**NOTES:**

- LABEL PER ILS-100-09. FOR INTERNAL REFERENCE ONLY. LABEL LOCATION FOR REFERENCE ONLY.

THESE COMMODITIES, TECHNOLOGY OR SOFTWARE WERE EXPORTED FROM THE UNITED STATES IN ACCORDANCE WITH THE EXPORT ADMINISTRATION REGULATIONS. DIVERSION CONTRARY TO U.S. LAW PROHIBITED.

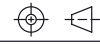
TITLE  
WRD-180 Waveguide Termination 0.5 Watts with a 18 GHz to 40 GHz Frequency Range in Brass

UNLESS OTHERWISE SPECIFIED LEADING DIMENSIONS ARE INCHES  
DIMENSIONS IN [ ] ARE MILLIMETERS

TOLERANCES: CABLE LENGTH (L) TOLERANCES:

.X = ±.2 [5.08]	FRACTIONS	L ≤ 12 [305] = +1 [25] / -0
.XX = ±.02 [.51]	± 1/32	12 [305] < L ≤ 60 [1524] = +2 [51] / -0
.XXX = ±.005 [.13]	ANGLES ± 1°	60 [1524] < L ≤ 120 [3048] = +4 [102] / -0
		120 [3048] < L ≤ 300 [7620] = +6 [152] / -0
		300 [7620] < L = +5%L / -0

THIRD-ANGLE PROJECTION



THE INFORMATION AND DESIGN IN THIS DOCUMENT IS THE PROPERTY OF FAIRVIEW MICROWAVE CORPORATION. ALL RIGHTS RESERVED.

SHEET 1 OF 1

ALL DIMENSIONS SHOWN ARE FOR REFERENCE ONLY.

SCALE N/A

SIZE A	CAGE CODE 3FKR5	DRAWN BY K.DANG	ITEM NO. FMWRD180TR1000	REV A
-----------	--------------------	--------------------	----------------------------	----------

T-Rev.D