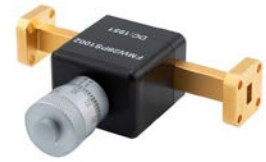


**WR-28 Waveguide Phase Shifter 0 to 180 Degree
 With a UG-599/U Flange From 26.5 GHz to 40 GHz**

The FMW28PS1002 is a waveguide variable phase shifter that is part of a family of high performance phase shifters with a square cover per MIL-DTL-85. These phase shifters are built using low loss dielectric material, which offers minimum insertion loss. These standard terminations are offered in the Ka through W waveguide bands (18 to 110 GHz.) The phase shifters are equipped with micrometer, which allows fine control resulting in accurate and repeatable phase settings. The variable phase shifters are typically used in the test setups and prototype assemblies where accurate phase shifting is required.


Electrical Specifications

Description	Min	Typ	Max	Units
Frequency Range	26.5		40	GHz
Phase Shift		0 to 180		Degrees
VSWR		1.15:1		
Insertion Loss		0.3		dB
Input Power (CW)			1	Watt

Mechanical Specifications

Size	
Length	3.5 in [88.9 mm]
Width/Dia.	1 in [25.4 mm]
Height	2.293 in [58.24 mm]
Weight	0.374 lbs [169.64 g]

Description	Flange 1	Waveguide	Flange 2
Interface	UG-599/U	WR-28	UG-599/U
Material	Brass	Brass	Brass
Plating	Gold	Gold	Gold
Plating Spec.	ASTMB488	ASTMB488	ASTMB488
Finish	Gold	Gold	Gold

Compliance Certifications (see [product page](#) for current document)

Plotted and Other Data

Notes:

Features:

- WR-28 Waveguide
- 26.5 to 40 GHz
- UG-599/U Flange
- 0.3 dB Typical Insertion Loss
- 1 Watt Power Handling
- 0 to 180 Degree Phase Shift Over the Full Band

Applications:

- Instrumentation
- Precision measurements
- Prototyping and characterization

Fairview Microwave
 301 Leora Ln., Suite 100
 Lewisville, TX 75056
 Tel: 1-800-715-4396 / (972) 649-6678
 Fax: (972) 649-6689
www.fairviewmicrowave.com
sales@fairviewmicrowave.com

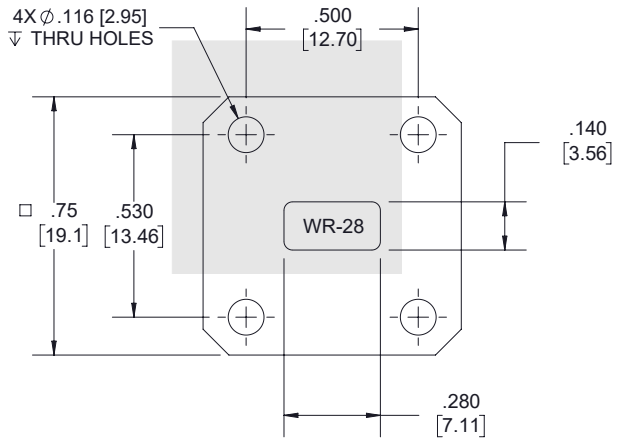
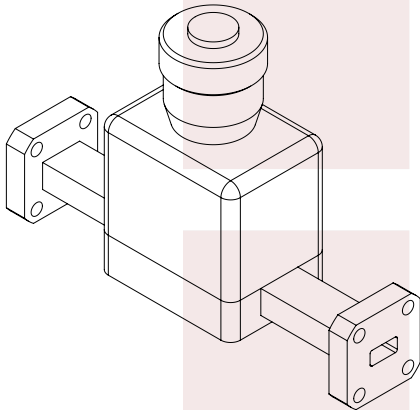
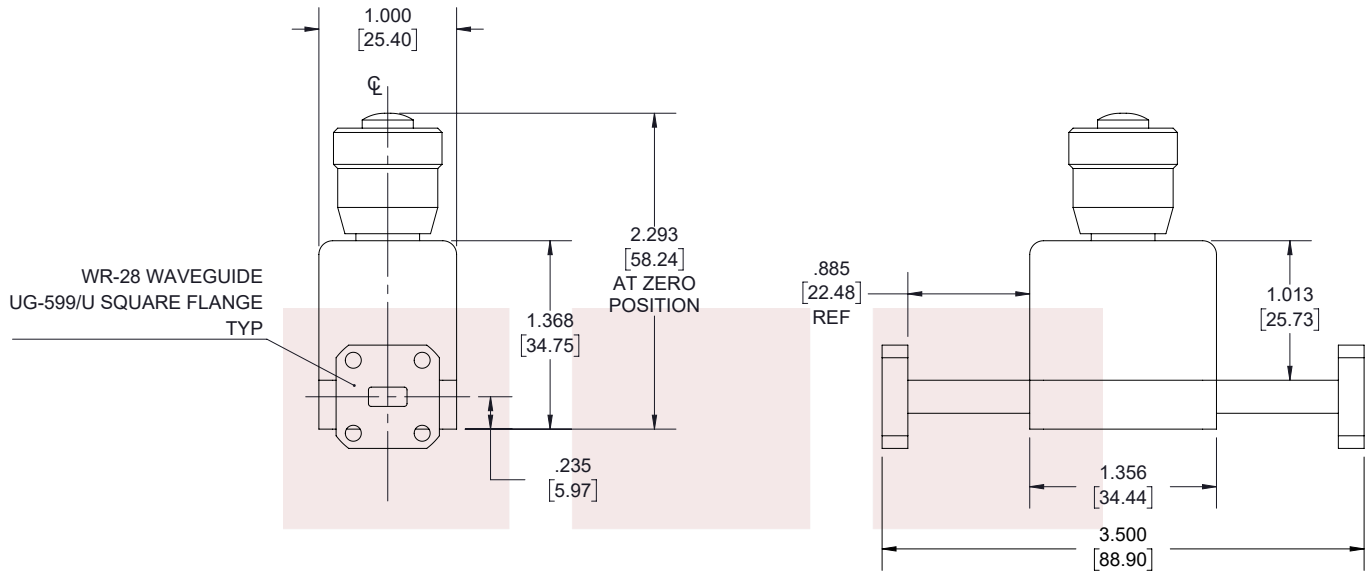
WR-28 Waveguide Phase Shifter 0 to 180 Degree With a UG-599/U Flange From 26.5 GHz to 40 GHz from Fairview Microwave is in-stock and available to ship same-day. All of our RF/microwave products are available off-the-shelf from our ISO 9001:2008 certified facilities in Allen, Texas. Fairview Microwave is RF on-demand.

For additional information on this product, please click the following link: [WR-28 Waveguide Phase Shifter 0 to 180 Degree With a UG-599/U Flange From 26.5 GHz to 40 GHz FMW28PS1002](#)

URL: <https://www.fairviewmicrowave.com/wr28-waveguide-phase-shifter-0-180-ug599-26.5-40-ghz-fmw28ps1002-p.aspx>

The information contained in this document is accurate to the best of our knowledge and representative of the part described herein. It may be necessary to make modifications to the part and/or the documentation of the part, in order to implement improvements. Fairview Microwave reserves the right to make such changes as required. Unless otherwise stated, all specifications are nominal. Fairview Microwave does not make any representation or warranty regarding the suitability of the part described herein for any particular purpose, and Fairview Microwave does not assume any liability arising out of the use of any part or documentation.





FLANGE DETAIL

STANDARD TOLERANCES

.X ± 0.2
.XX ± 0.01
.XXX ± 0.005

*STANDARD TOLERANCES APPLY ONLY TO DIMENSIONS IN INCHES

NOTES:
1. UNLESS OTHERWISE SPECIFIED ALL DIMENSIONS ARE NOMINAL.
2. ALL SPECIFICATIONS ARE SUBJECT TO CHANGE WITHOUT NOTICE AT ANY TIME.
3. DIMENSIONS ARE IN INCHES [mm].

TITLE

WR-28 Waveguide Phase Shifter 0 to 180 Degree With a UG-599/U Flange From 26.5 GHz to 40 GHz

DWG NO

FMW28PS1002

CAGE CODE

3FKR5

CAD FILE

10/15/19

SHEET

1 OF 1

SCALE

N/A

SIZE

A

7361