

# Product Information

Control No. : ARP-4014900-M 1

Issued on August 17, 2021

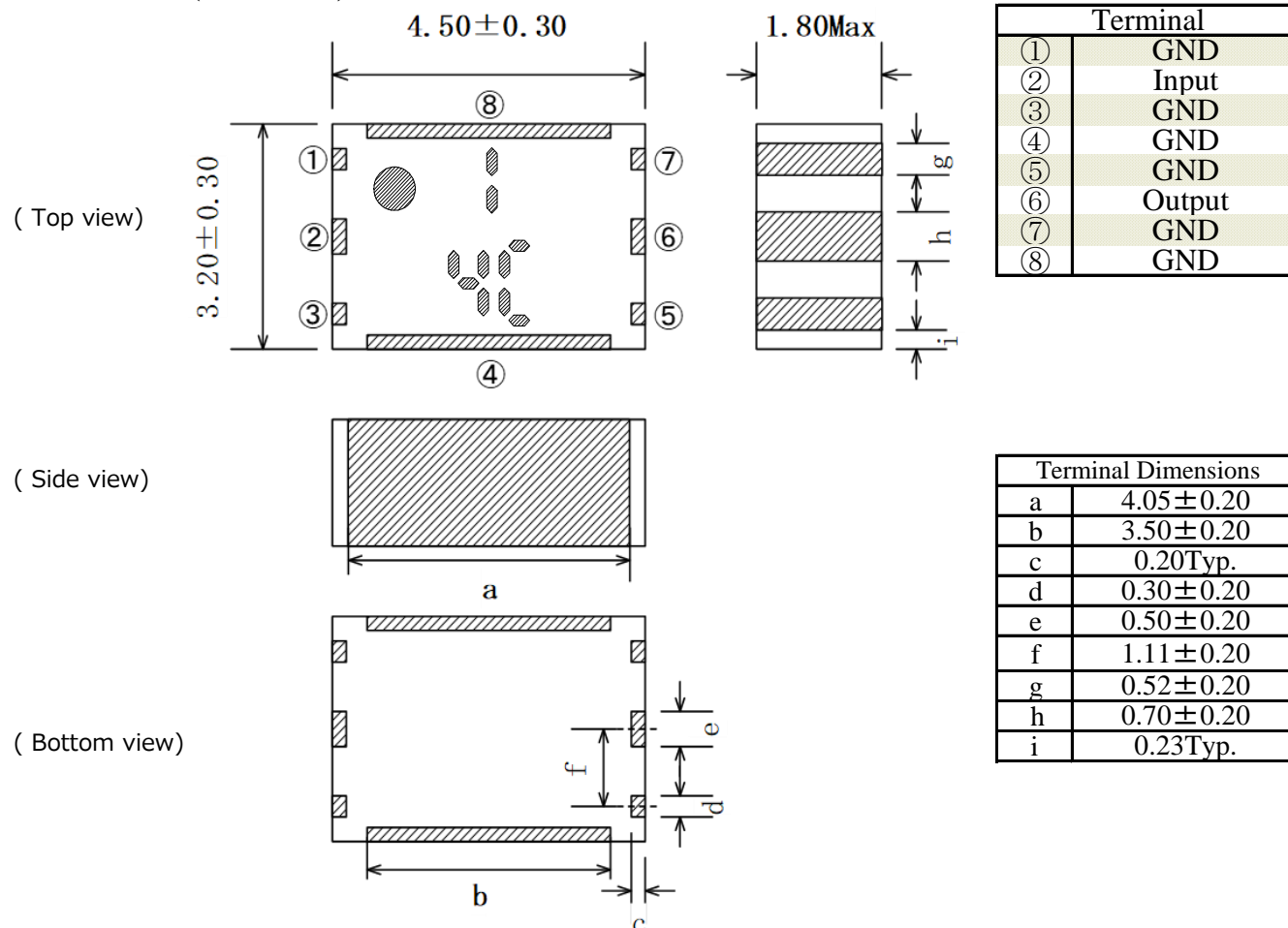
## Application : Wi-Fi 6E

Measured Data

1. Type No.  
HMD0149L - T

RoHS Compliant Part

2. Dimension (Unit : mm)



3. Electrical characteristics

Pass band	spec. at 25°C	Typical	Unit	Remark
Nominal impedance	50	-	ohm	
Pass band frequency	6095-7125	-	MHz	
Insertion Loss	2.50 Max.	2.09	dB	
Ripple	2.00 Max.	1.32	dB	
V.S.W.R. in pass band	2.00 Max.	1.49	-	

Attenuation	spec. at 25°C	Typical	Unit	Remark
2400 MHz - 2500 MHz	25 Min.	49	dB	
5150 MHz - 5835 MHz	45 Min.	52	dB	
12190 MHz - 14430 MHz	20 Min.	32	dB	

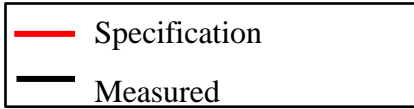
4. Note

- 4.1 Operating Temperature Range : -40 to +85 deg.C
- 4.2 Storage Temperature Range before soldering in taping package : -20 to +35 deg.C
- 4.3 Standard Reel Quantity : 1000 pcs (per reel, per bag)
- 4.4 Max input power Level : 5W

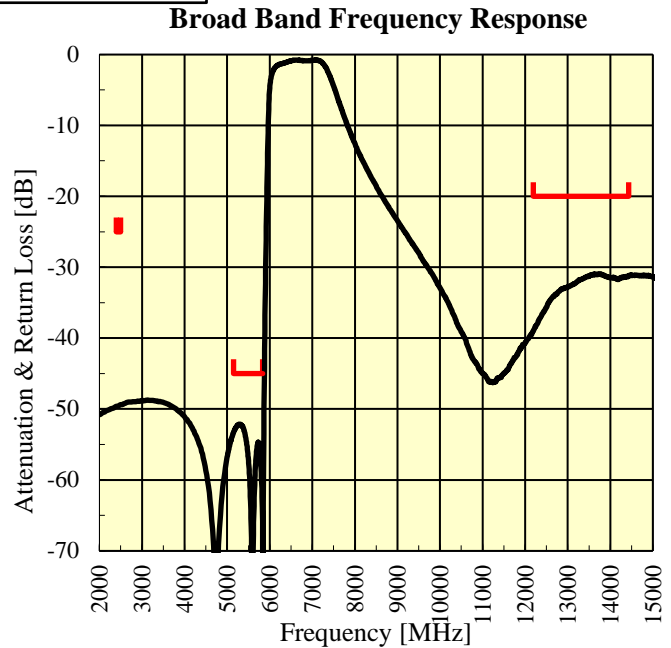
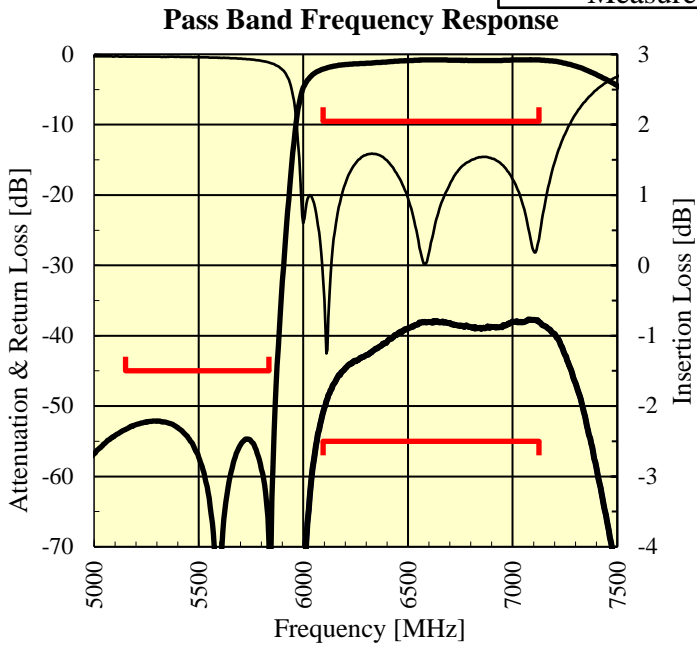
Approved by	Confirmed by	Raised by
Y. Imai	Y. Miyata	S. Suzuki

SOSHIN ELECTRIC CO., LTD

## 5. Representative characteristics

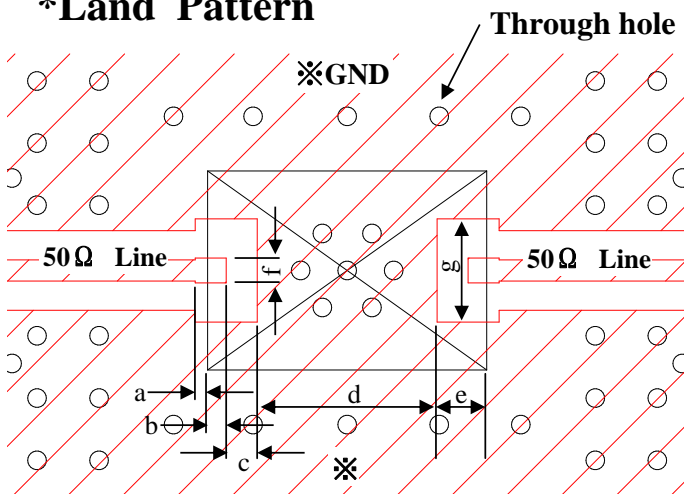


Measured Data



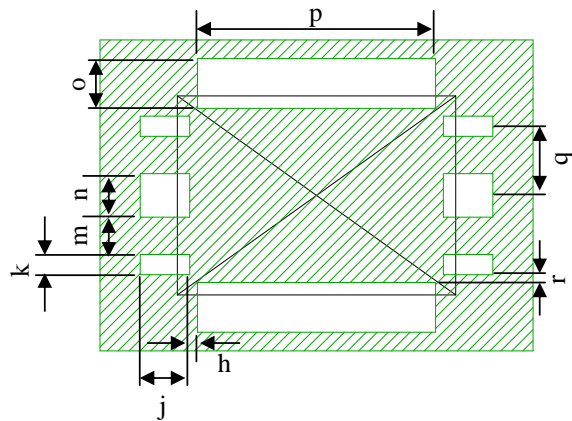
## 6. Recommended Land Pattern

### \*Land Pattern



a 0.200 mm	e 0.800 mm
b 0.300 mm	f 0.400 mm
c 0.500 mm	g 1.660 mm
d 2.900 mm	

### \*Resist Pattern



h 0.125 mm	n 0.700 mm
j 0.800 mm	o 0.800 mm
k 0.325 mm	p 3.850 mm
m 0.600 mm	q 1.113 mm
	r 0.125 mm