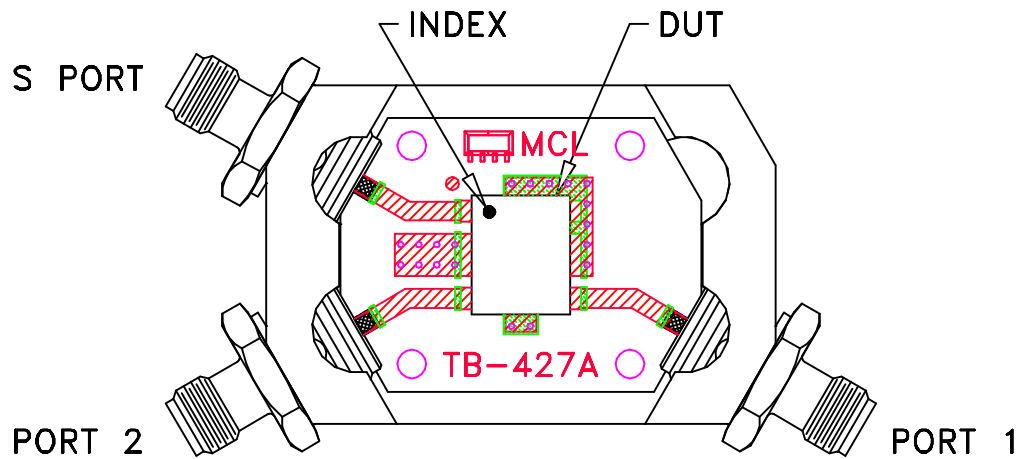
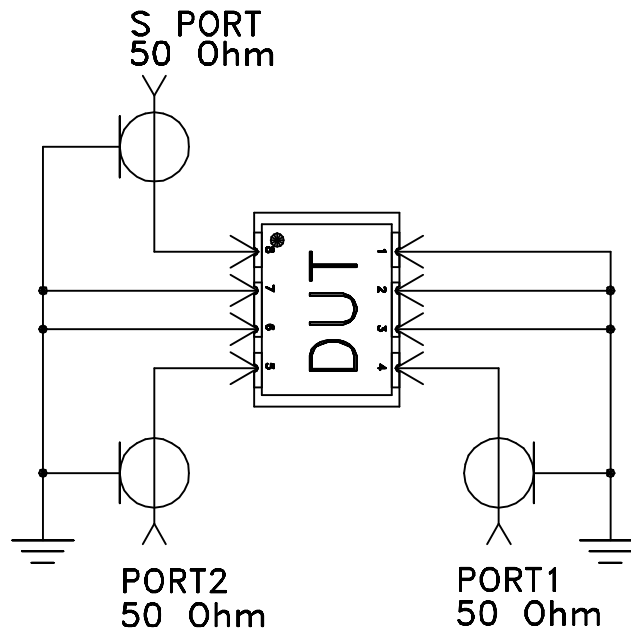


Evaluation Board and Circuit




TB-427+



Schematic Diagram

Notes:

1. SMA Female connectors.
2. PCB Material: Rogers R04350 or its equivalent, Dielectric Constant=3.5, Thickness=.030"

 **Mini-Circuits®**