



WR-34 Waveguide 50 dB Crossguide Coupler, UG Cover Flange, 2.92mm Female Coupled Port, 21.7 GHz to 33 GHz, Brass

Waveguide Couplers Technical Data Sheet

PEWCP1088K-50

The PEWCP1088K-50 is a 50 dB WR-34 three port crossguide coupler with intergrated 2.92mm Female connector for the coupled port. This coupler can be mounted directly into the waveguide signal path, connected via coax to allow signal sampling /monitoring. The coupler has a typical VSWR of 1.1:1 and are made of Brass with UG Cover flanges. The PEWCP1088K-50 is part of a family of cross guide couplers offered by Pasternack with coupling values ranging from 20 to 50 dB.

Features

- Three Port Crossguide Waveguide Coupler
- 50±1.5 dB Nominal Coupling Level
- Integrated 2.92mm Female Connector for the coupled port
- 21.7 GHz to 33 GHz Frequency Range
- Low VSWR < 1.5:1"

Applications

- Test Benches
- Radar
- Satellite
- Microwave Radio
- Attenuation Measurements
- Power Measurements
- Source Leveling

Electrical Specifications

Description	Minimum	Typical	Maximum	Units
Frequency Range	21.7		33	GHz
Coupler				
Nominal Coupling Level		50		dB
Coupling Accuracy			±1.5	dB
Directivity	15			dB
Insertion Loss		0.2		dB
Main Line VSWR			1.1:1	
Secondary Line VSWR			1.5:1	
Input Power (CW)			250	Watts
Input Power, Peak			30	kWatts

Mechanical Specifications

Size	
Length	2.362 in [59.99 mm]
Width	1.969 in [50.01 mm]
Height	1.36 in [34.54 mm]
Weight	0.11 lbs [49.9 g]
Interface	
Waveguide Size	WR-34

Click the following link (or enter part number in "SEARCH" on website) to obtain additional part information including price, inventory and certifications: [WR-34 Waveguide 50 dB Crossguide Coupler, UG Cover Flange, 2.92mm Female Coupled Port, 21.7 GHz to 33 GHz, Brass PEWCP1088K-50](#)



WR-34 Waveguide 50 dB Crossguide Coupler, UG Cover Flange,
2.92mm Female Coupled Port, 21.7 GHz to 33 GHz, Brass

Waveguide Couplers Technical Data Sheet

PEWCP1088K-50

Flange Type	UG Cover
RF Connector Type	2.92mm Female
Coupler Body Material and Plating	Brass Copper, Gold

Environmental Specifications

Compliance Certifications (see [product page](#) for current document)

Plotted and Other Data

Notes:

WR-34 Waveguide 50 dB Crossguide Coupler, UG Cover Flange, 2.92mm Female Coupled Port, 21.7 GHz to 33 GHz, Brass from Pasternack Enterprises has same day shipment for domestic and International orders. Our RF, microwave and millimeter wave products maintain a 99.4% availability and are part of the broadest selection in the industry.

Click the following link (or enter part number in "SEARCH" on website) to obtain additional part information including price, inventory and certifications: [WR-34 Waveguide 50 dB Crossguide Coupler, UG Cover Flange, 2.92mm Female Coupled Port, 21.7 GHz to 33 GHz, Brass PEWCP1088K-50](#)

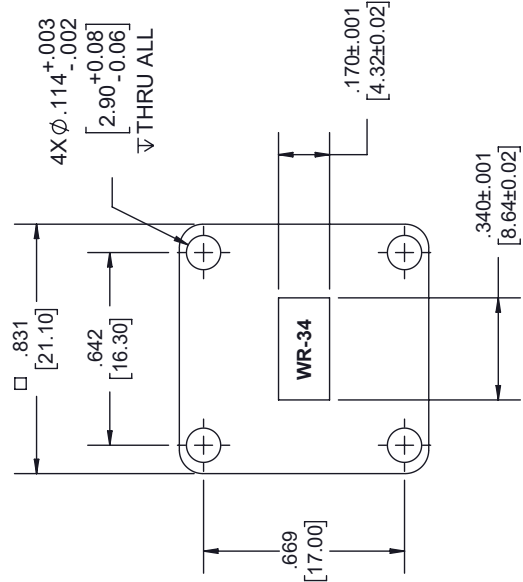
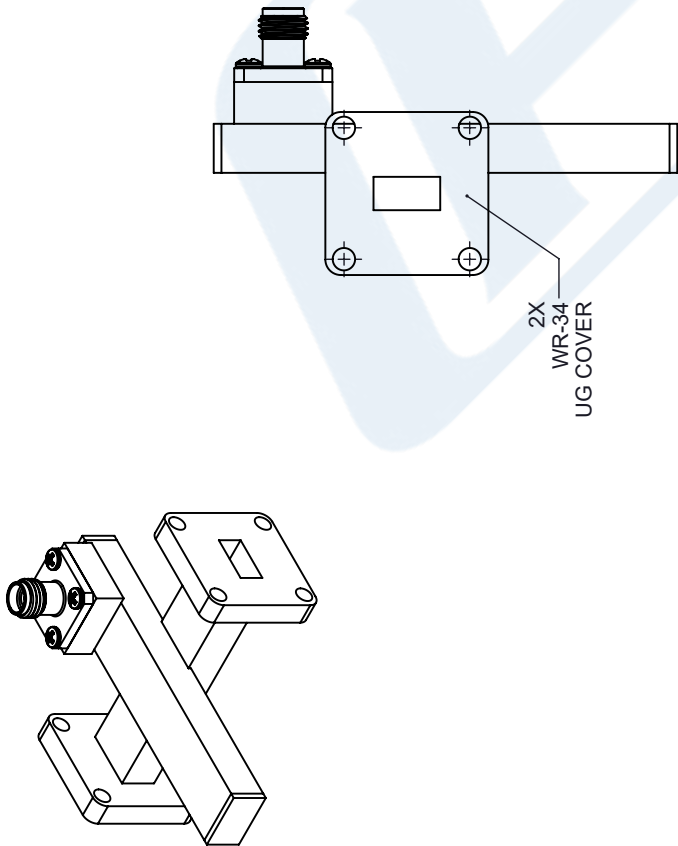
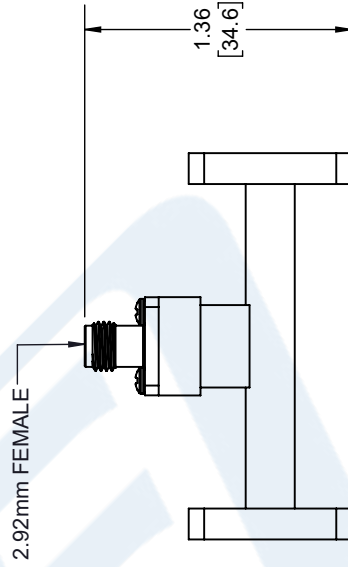
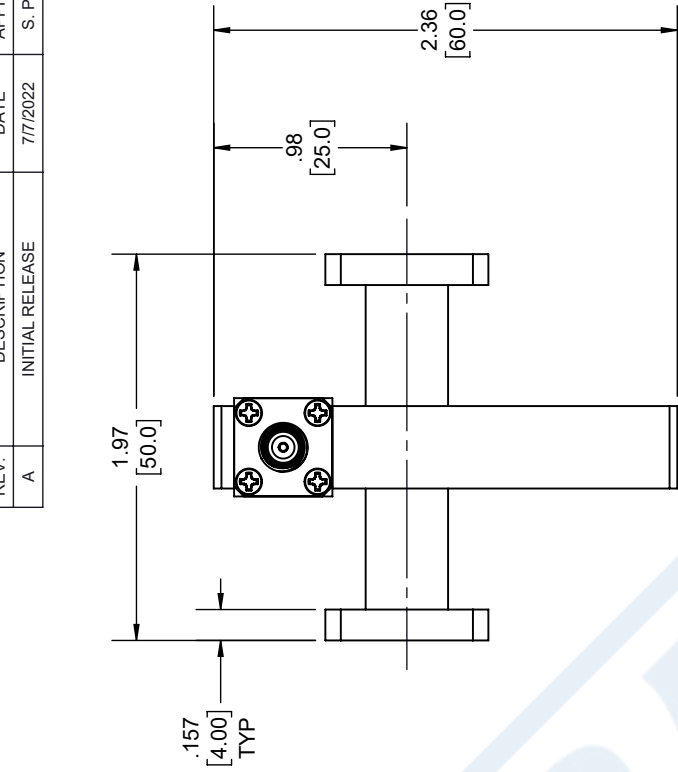
URL: <https://www.pasternack.com/50-db-wr-34-waveguide-crossguide-coupler-fmwcp1088K-50-p.aspx>

The information contained in this document is accurate to the best of our knowledge and representative of the part described herein. It may be necessary to make modifications to the part and/or the documentation of the part, in order to implement improvements. Pasternack reserves the right to make such changes as required. Unless otherwise stated, all specifications are nominal. Pasternack does not make any representation or warranty regarding the suitability of the part described herein for any particular purpose, and Pasternack does not assume any liability arising out of the use of any part or documentation.

PEWCP1088K-50 CAD Drawing

WR-34 Waveguide 50 dB Crossguide Coupler, UG Cover Flange, 2.92mm Female Coupled Port, 21.7 GHz to 33 GHz, Brass

REVISIONS			
REV.	DESCRIPTION	DATE	APPROVED
A	INITIAL RELEASE	7/7/2022	S. PONG



FLANGE DETAIL

UNLESS OTHERWISE SPECIFIED LEADING DIMENSIONS ARE INCHES DIMENSIONS IN [] ARE MILLIMETERS

TOLERANCES:

.X = ±.2 [5.08] FRACTIONS
 .XX = ±.02 [.51] ± 1/32
 .XXX = ±.005 [.13] ANGLES ± 1°

CABLE LENGTH (L), TOLERANCES:
 L ≤ 12 [305] = +1 [25] / -0
 12 [305] < L ≤ 60 [1524] = +2 [51] / -0
 60 [1524] < L ≤ 120 [3048] = +4 [102] / -0
 120 [3048] < L ≤ 300 [7620] = +6 [152] / -0
 300 [7620] < L = +5% / -0

ALL DIMENSIONS SHOWN ARE FOR REFERENCE ONLY.

PE PASTERNAK
 an INFINITE brand

Pasternack Enterprises, Inc.
 P. O. Box 16759, Irvine, CA 92623.
 Phone: 1.949.261.1920 | 1.866.727.8376
 Fax: 1.949.261.7451
 Website: www.pasternack.com
 E-mail: sales@pasternack.com

THIRD-ANGLE PROJECTION

THE INFORMATION AND DESIGN IN THIS DOCUMENT IS THE PROPERTY OF PASTERNAK CORPORATION ALL RIGHTS RESERVED.

SHEET 1 OF 1

SCALE N/A

REV A

ITEM NO. PEWCP1088K-50

DRAWN BY K.DANG

CAGE CODE 53919

SIZE A

THESE COMMODITIES, TECHNOLOGY OR SOFTWARE WERE EXPORTED FROM THE UNITED STATES IN ACCORDANCE WITH THE EXPORT ADMINISTRATION REGULATIONS. DIVERSION CONTRARY TO U.S. LAW PROHIBITED.