

WR-62 Waveguide 40 dB Crossguide Coupler, UG Cover Flange, SMA Female Coupled Port, 11.9 GHz to 18 GHz, Brass

Waveguide Couplers Technical Data Sheet

PEWCP1086S-40

The PEWCP1086S-40 is a 40 dB WR-62 three port crossguide coupler with intergrated SMA Female connector for the coupled port. This coupler can be mounted directly into the waveguide signal path, connected via coax to allow signal sampling /monitoring. The coupler has a typical VSWR of 1.1:1 and are made of Brass with UG Cover flanges. The PEWCP1086S-40 is part of a family of cross guide couplers offered by Pasternack with coupling values ranging from 20 to 50 dB.

Features

- Three Port Crossguide Waveguide Coupler
- 40±1.5 dB Nominal Coupling Level
- Integrated SMA Female Connector for the coupled port
- 11.9 GHz to 18 GHz Frequency Range
- Low VSWR < 1.25:1

Applications

- Test Benches
- Radar
- Satellite
- Microwave Radio
- Attenuation Measurements
- Power Measurements
- Source Leveling

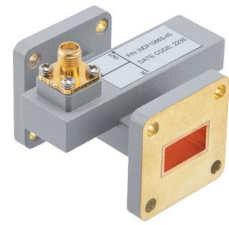
Electrical Specifications

Description	Minimum	Typical	Maximum	Units
Frequency Range	11.9		18	GHz
Coupler				
Nominal Coupling Level		40		dB
Coupling Accuracy			±1.5	dB
Directivity	17			dB
Insertion Loss		0.15		dB
Main Line VSWR			1.1:1	
Secondary Line VSWR			1.25:1	
Input Power (CW)			400	Watts
Input Power, Peak			120	kWatts

Mechanical Specifications

Size	
Length	2.362 in [59.99 mm]
Width	1.969 in [50.01 mm]
Height	1.79 in [45.47 mm]
Weight	0.287 lbs [130.18 g]
Interface	
Waveguide Size	WR-62

Click the following link (or enter part number in "SEARCH" on website) to obtain additional part information including price, inventory and certifications: [WR-62 Waveguide 40 dB Crossguide Coupler, UG Cover Flange, SMA Female Coupled Port, 11.9 GHz to 18 GHz, Brass PEWCP1086S-40](#)



WR-62 Waveguide 40 dB Crossguide Coupler, UG Cover Flange,
SMA Female Coupled Port, 11.9 GHz to 18 GHz, Brass

Waveguide Couplers Technical Data Sheet

PEWCP1086S-40

Flange Type	UG Cover
RF Connector Type	SMA Female
Coupler Body Material and Plating	Brass Copper, Passivated

Environmental Specifications

Compliance Certifications (see [product page](#) for current document)

Plotted and Other Data

Notes:

WR-62 Waveguide 40 dB Crossguide Coupler, UG Cover Flange, SMA Female Coupled Port, 11.9 GHz to 18 GHz, Brass from Pasternack Enterprises has same day shipment for domestic and International orders. Our RF, microwave and millimeter wave products maintain a 99.4% availability and are part of the broadest selection in the industry.

Click the following link (or enter part number in "SEARCH" on website) to obtain additional part information including price, inventory and certifications: [WR-62 Waveguide 40 dB Crossguide Coupler, UG Cover Flange, SMA Female Coupled Port, 11.9 GHz to 18 GHz, Brass PEWCP1086S-40](#)

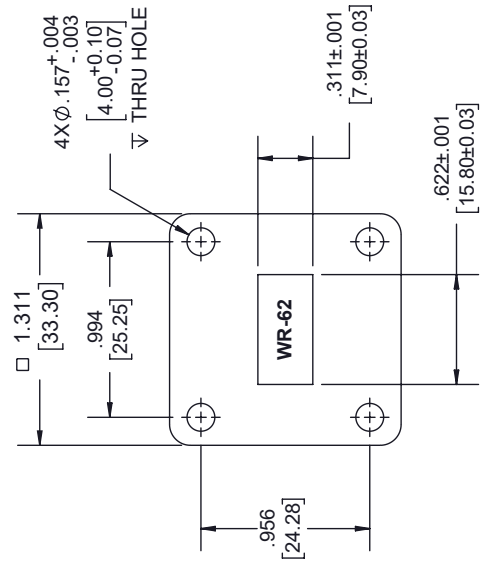
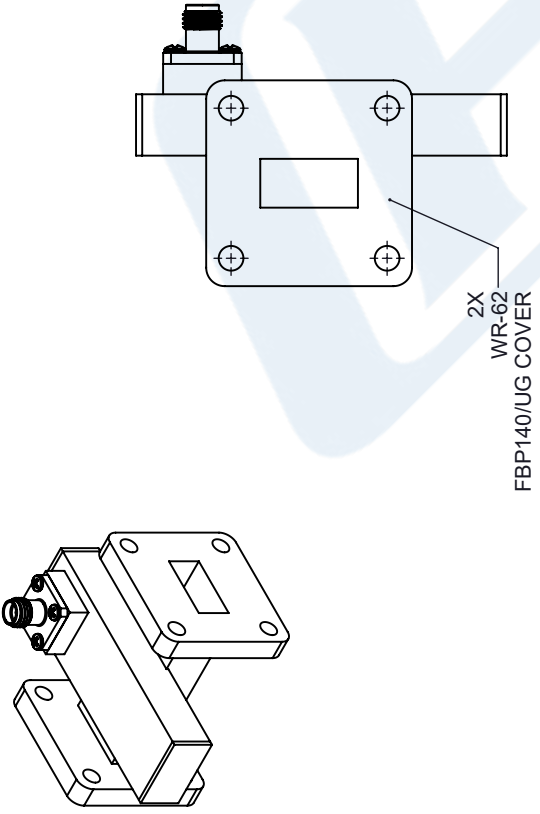
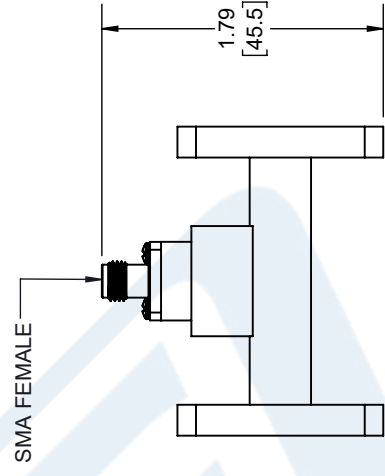
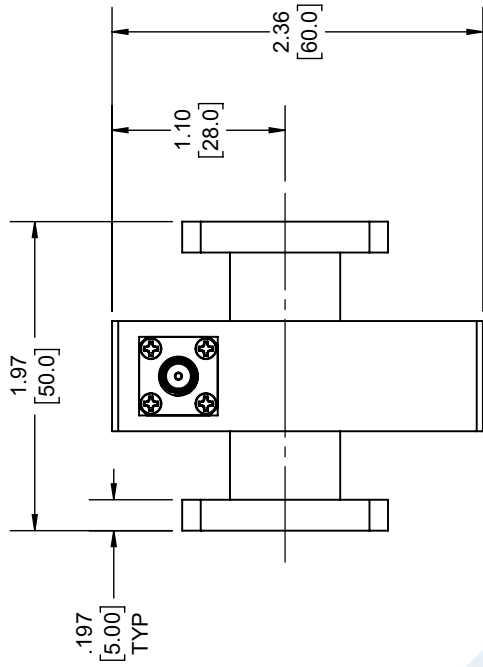
URL: <https://www.pasternack.com/40-db-wr-62-waveguide-crossguide-coupler-fmwcp1086S-40-p.aspx>

The information contained in this document is accurate to the best of our knowledge and representative of the part described herein. It may be necessary to make modifications to the part and/or the documentation of the part, in order to implement improvements. Pasternack reserves the right to make such changes as required. Unless otherwise stated, all specifications are nominal. Pasternack does not make any representation or warranty regarding the suitability of the part described herein for any particular purpose, and Pasternack does not assume any liability arising out of the use of any part or documentation.

PEWCP1086S-40 CAD Drawing

WR-62 Waveguide 40 dB Crossguide Coupler, UG Cover Flange, SMA Female Coupled Port, 11.9 GHz to 18 GHz, Brass

REVISIONS			
REV.	DESCRIPTION	DATE	APPROVED
A	INITIAL RELEASE	7/7/2022	S. PONG



UNLESS OTHERWISE SPECIFIED LEADING DIMENSIONS ARE INCHES DIMENSIONS IN [] ARE MILLIMETERS

TOLERANCES:

.X = ±.2	[.008]	FRACTIONS	
.XX = ±.02	[.51]		± 1/32
.XXX = ±.005	[.13]	ANGLES ± 1°	

CABLE LENGTH (L), TOLERANCES:

L ≤ 12	[305]	= +1 [25] / -0
12 [305] < L ≤ 60	[1524]	= +2 [51] / -0
60 [1524] < L ≤ 120	[3048]	= +4 [102] / -0
120 [3048] < L ≤ 300	[7620]	= +6 [152] / -0
300 [7620] < L		= +5% / -0

ALL DIMENSIONS SHOWN ARE FOR REFERENCE ONLY.

THIRD-ANGLE PROJECTION

THE INFORMATION AND DESIGN IN THIS DOCUMENT IS THE PROPERTY OF PASTERNAK CORPORATION ALL RIGHTS RESERVED.

SHEET 1 OF 1

SCALE N/A

REV A

ITEM NO. PEWCP1086S-40

DRAWN BY K.DANG

SALES @ PASTERNAK.COM

1.949.261.1920 | 1.866.727.8376

P. O. Box 16759, Irvine, CA 92623.

Pastermack Enterprises, Inc.

an INFINITE® brand

PE PASTERNAK®

THESE COMMODITIES, TECHNOLOGY OR SOFTWARE WERE EXPORTED FROM THE UNITED STATES IN ACCORDANCE WITH THE EXPORT ADMINISTRATION REGULATIONS. DIVERSION CONTRARY TO U.S. LAW PROHIBITED.