



Directional 30 dB N Coupler From 4 GHz
to 8 GHz Rated To 600 Watts

TECHNICAL DATA SHEET

PE2230-30

Directional 30 dB N Coupler From 4 GHz to 8 GHz Rated To 600 Watts

Configuration

Connector 1	N Female
Connector 2	SMA Female
Connector 3	N Female
Design	Directional Coupler

Electrical Specifications

Frequency Range, GHz	4 to 8
Directivity, dB	18
Impedance, Ohms	50
Maximum Insertion Loss, dB	0.2
Maximum Input Power, Watts	600
Maximum Input VSWR	1.3:1
Peak Power, KWatts	10
Coupling Value, dB	30
Coupling Tolerance, dB	± 1
Frequency Sensitivity, dB	0.75

Mechanical Specifications

Size

Length, in [mm]	3.48 [88.39]
Width, in [mm]	0.8 [20.32]
Height, in [mm]	1.6 [40.64]

Connector 1

Type	N Female
------	----------

Connector 2

Type	SMA Female
------	------------

Connector 3

Type	N Female
------	----------

Click the following link (or enter part number in "SEARCH" on website) to obtain additional part information including price, inventory and certifications: [Directional 30 dB N Coupler From 4 GHz to 8 GHz Rated To 600 Watts PE2230-30](#)

The information contained in this document is accurate to the best of our knowledge and representative of the part described herein. It may be necessary to make modifications to the part and/or the documentation of the part, in order to implement improvements. Pasternack reserves the right to make such changes as required. Unless otherwise stated, all specifications are nominal.



Directional 30 dB N Coupler From 4 GHz
to 8 GHz Rated To 600 Watts

TECHNICAL DATA SHEET

PE2230-30

Compliance Certifications (visit www.Pasternack.com for current document)

Plotted and Other Data

Notes:

Values at 25 °C, sea level

Directional 30 dB N Coupler From 4 GHz to 8 GHz Rated To 600 Watts from Pasternack Enterprises has same day shipment for domestic and International orders. Our RF, microwave and fiber optic products maintain a 99% availability and are part of the broadest selection in the industry.

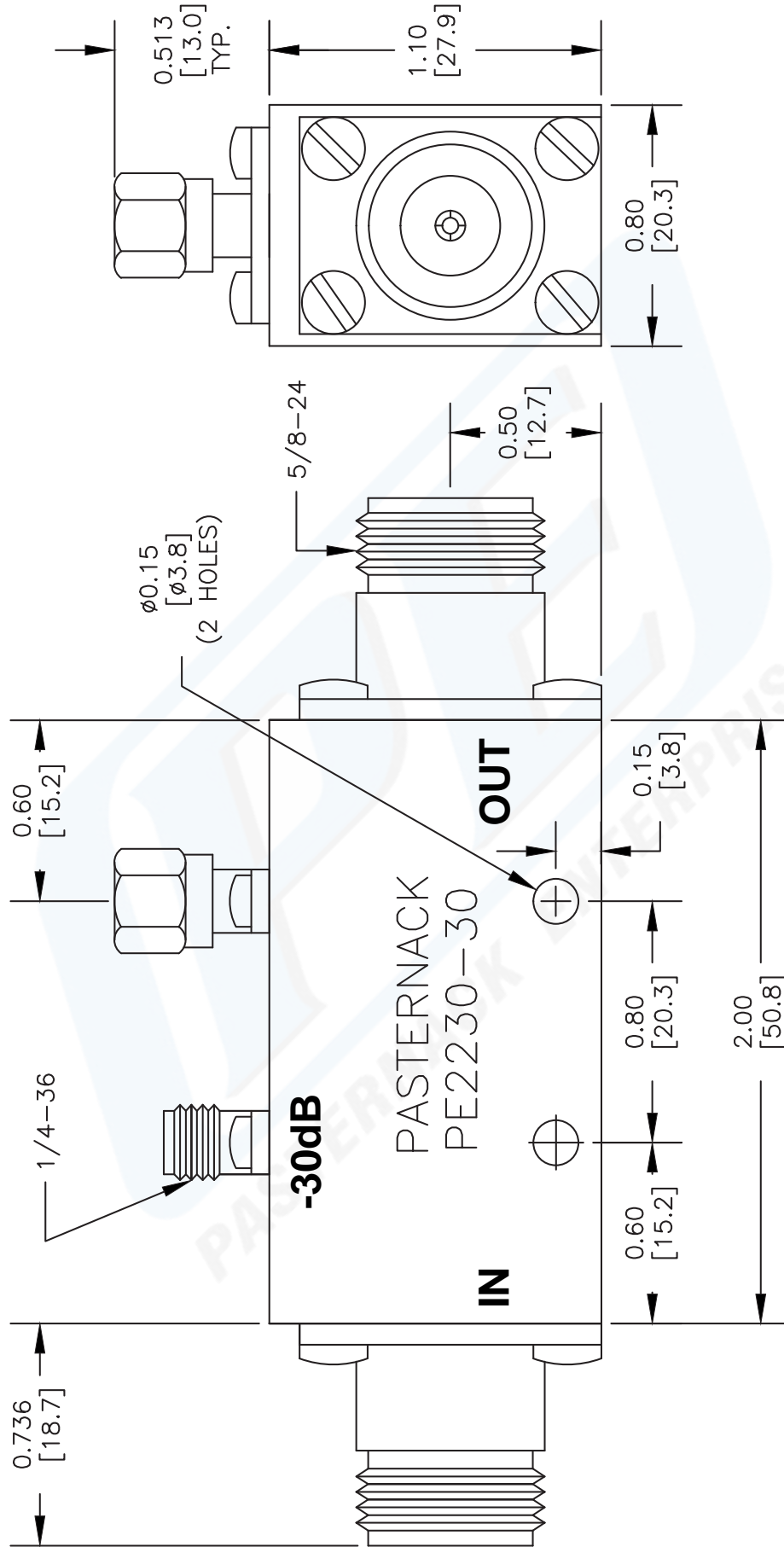
Click the following link (or enter part number in "SEARCH" on website) to obtain additional part information including price, inventory and certifications: [Directional 30 dB N Coupler From 4 GHz to 8 GHz Rated To 600 Watts PE2230-30](http://www.pasternack.com/directional-30-db-n-coupler-4-8-ghz-600-watts-pe2230-30)

URL: <http://www.pasternack.com/directional-30-db-n-coupler-4-8-ghz-600-watts-pe2230-30-p.aspx>

The information contained in this document is accurate to the best of our knowledge and representative of the part described herein. It may be necessary to make modifications to the part and/or the documentation of the part, in order to implement improvements. Pasternack reserves the right to make such changes as required. Unless otherwise stated, all specifications are nominal.

PE2230-30 CAD Drawing

Directional 30 dB N Coupler From 4 GHz to 8 GHz Rated To 600 Watts



NOTES:
 1. UNLESS OTHERWISE SPECIFIED ALL DIMENSIONS ARE NOMINAL.
 2. ALL SPECIFICATIONS ARE SUBJECT TO CHANGE WITHOUT NOTICE AT ANY TIME.
 3. DIMENSIONS ARE IN INCHES [mm].

DWG TITLE
PE2230-30

FSCM NO. 53919

CAD FILE 100113

SCALE N/A

SIZE A

150

PE PASTERNAK®
 Pasternack Enterprises, Inc.
 P.O. Box 16759 | Irvine | CA | 92623
 Phone: (949) 261-1920 | Fax: (949) 261-7451
 Website: www.pasternack.com | E-Mail: sales@pasternack.com