



Low PIM 30 dB N Unequal Tapper from 698 MHz to 2.7 GHz Rated to 300 Watts

RF Tappers Technical Data Sheet

PE-T2023

Features

- Split Ratios Ranging from 1:3 to 1:1000
- Power Ratings up to 300 Watt
- Low PIM (150dBc) Low VSWR (1.15)
- Rugged Designs available with optional mounting brackets

Description

Pasternack's Line of High Power Wideband Tappers have been designed to maintain a Split Ratio across all frequencies between 698MHz and 2.7Ghz. There is minimal Insertion Loss, VSWR, and Low PIM. Mechanically the parts have no solder joints inside the Aluminum Casing and are IP65 / IP67 rated allowing for placement in rugged environments. This setup along with select bands optimization makes them ideal for Mobile Networks Infrastructure.

Electrical Specifications

Description	Minimum	Typical	Maximum	Units
Frequency Range	0.698		2.7	GHz
Split Ratio		1000:1		
Impedance		50		Ohms
Coupling		30		dB
Coupling (C1 - C2)		0.1		dB
Insertion Loss			0.27	dB
VSWR			1.15:1	
Passive Intermodulation		-160		dBc
Input Power (CW)			300	Watts
Input Power (Peak)			3	kWatts

Specifications by Frequency

Description	F1	F2	F3	F4	F5	Units
Frequency Range	0.698 to 0.96	0.96 to 1.71	1.71 to 2.7			GHz
Coupling	30 ±1		31 ±1.8			dB

Click the following link (or enter part number in "SEARCH" on website) to obtain additional part information including price, inventory and certifications: [Low PIM 30 dB N Unequal Tapper from 698 MHz to 2.7 GHz Rated to 300 Watts PE-T2023](#)



Low PIM 30 dB N Unequal Tapper from
698 MHz to 2.7 GHz Rated to 300 Watts

RF Tappers Technical Data Sheet

PE-T2023

Mechanical Specifications

Size

Length	6.23 in [158.24 mm]
Width	1 in [25.4 mm]
Height	2.1 in [53.34 mm]

Weight	0.612 lbs [277.6 g]
--------	---------------------

Housing Material and Plating	Passivated Aluminum
------------------------------	---------------------

Configuration

Input Connector	N Female
Output Connector	N Female
Coupled Connector	N Female

Environmental Specifications

Humidity	IP67
----------	------

Compliance Certifications (see [product page](#) for current document)

Plotted and Other Data

Notes:

Low PIM 30 dB N Unequal Tapper from 698 MHz to 2.7 GHz Rated to 300 Watts from Pasternack Enterprises has same day shipment for domestic and International orders. Our RF, microwave and millimeter wave products maintain a 99.4% availability and are part of the broadest selection in the industry.

Click the following link (or enter part number in "SEARCH" on website) to obtain additional part information including price, inventory and certifications: [Low PIM 30 dB N Unequal Tapper from 698 MHz to 2.7 GHz Rated to 300 Watts PE-T2023](#)

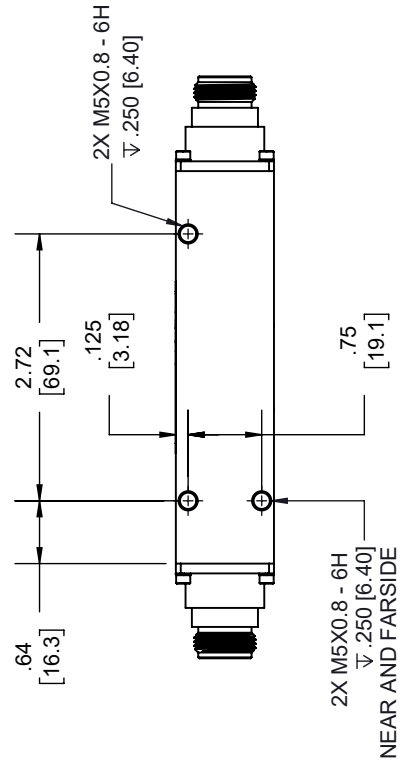
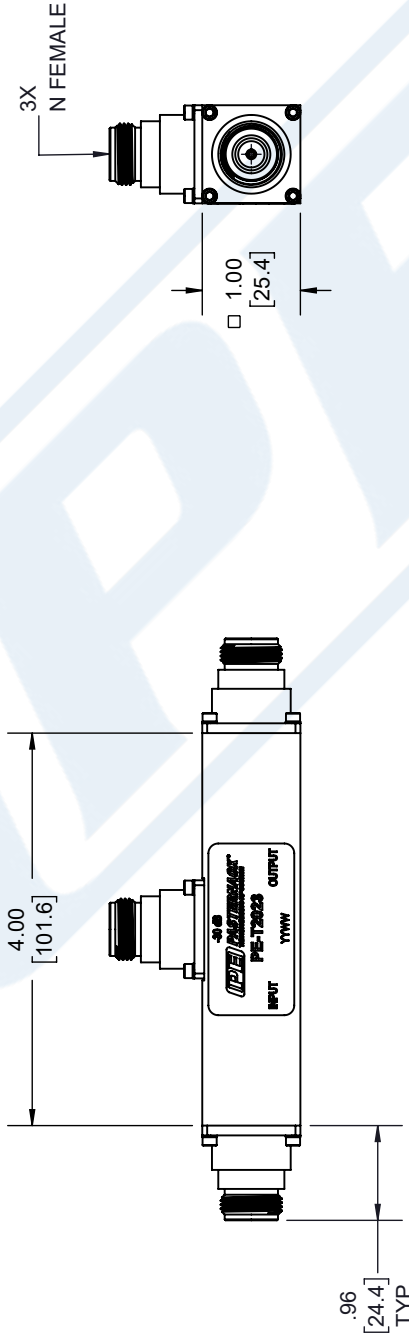
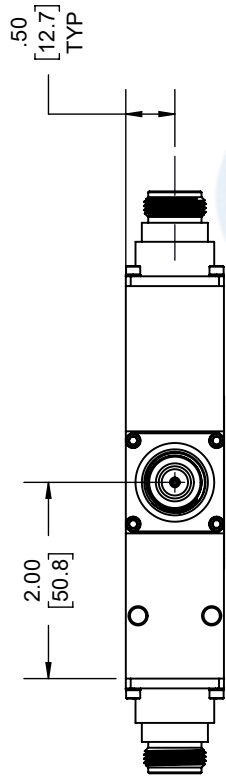
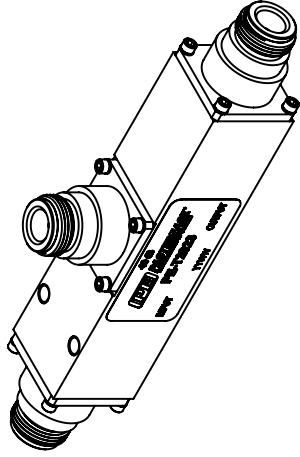
URL: <https://www.pasternack.com/low-loss-30db-n-unequaltapper-380-mhz-6-ghz-300watts-pe-t2023-p.aspx>

The information contained in this document is accurate to the best of our knowledge and representative of the part described herein. It may be necessary to make modifications to the part and/or the documentation of the part, in order to implement improvements. Pasternack reserves the right to make such changes as required. Unless otherwise stated, all specifications are nominal. Pasternack does not make any representation or warranty regarding the suitability of the part described herein for any particular purpose, and Pasternack does not assume any liability arising out of the use of any part or documentation.

PE-T2023 CAD Drawing

Low PIM 30 dB N Unequal Tapper from 698 MHz to 2.7 GHz Rated to 300 Watts

REVISIONS			
REV.	DESCRIPTION	DATE	APPROVED
A	PCR PE-T2023	1/11/2021	S. ELLIS



PORT CONFIGURATION

UNLESS OTHERWISE SPECIFIED LEADING DIMENSIONS ARE INCHES DIMENSIONS IN [] ARE MILLIMETERS

TOLERANCES:
 .X = ±.2 [5.08] FRACTIONS ± 1/32
 .XX = ±.02 [.51] ANGLES ± 1°
 .XXX = ±.005 [.13] CABLE LENGTH (L), TOLERANCES:
 L ≤ 12 [305] = +1 [25] / -0
 12 [305] < L ≤ 60 [1524] = +2 [51] / -0
 60 [1524] < L ≤ 120 [3048] = +4 [102] / -0
 120 [3048] < L ≤ 300 [7620] = +6 [152] / -0
 300 [7620] < L = +5% / -0

ALL DIMENSIONS SHOWN ARE FOR REFERENCE ONLY.

PE PASTERNAK
 an INFINITE brand

Pasternack Enterprises, Inc.
 P. O. Box 16759, Irvine, CA 92623.
 Phone: 1.949.261.1920 | 1.866.727.8376
 Fax: 1.949.261.7451
 Website: www.pasternack.com
 E-mail: sales@pasternack.com

THIRD-ANGLE PROJECTION

THE INFORMATION AND DESIGN IN THIS DOCUMENT IS THE PROPERTY OF PASTERNAK CORPORATION ALL RIGHTS RESERVED.

SHEET 1 OF 1

SCALE N/A

REV A

ITEM NO. PE-T2023

DRAWN BY K.Dang

CAGE CODE 53919