



Low Loss 7 dB 7/16 DIN Unequal Tapper Optimized For Mobile Networks From 380 MHz to 6 GHz Rated To 300 Watts

TECHNICAL DATA SHEET

PE-T2006

Low Loss 7 dB 7/16 DIN Unequal Tapper Optimized For Mobile Networks From 380 MHz to 6 GHz Rated To 300 Watts

Pasternack's Line of High Power Wideband Tappers have been designed to maintain a Split Ratio across all frequencies between 380MHz and 6GHz. There is minimal Insertion Loss, VSWR, and Low PIM. Mechanically the parts have no solder joints inside the Aluminum Casing and are IP65 / IP67 rated allowing for placement in rugged environments. This setup along with select bands optimization makes them ideal for Mobile Networks Infrastructure.

- Split Ratios Ranging from 1:3 to 1:1000
- Power Ratings up to 300 Watts
- Low PIM (150dBc) Low VSWR (1.15)
- Rugged Designs available with optional mounting brackets

Configuration

| | |
|------------------------------|---------------------|
| Design | Low Loss Tapper |
| Frequency Range, GHz | 0.38 to 6 |
| Input | 7/16 DIN Female |
| Output | 7/16 DIN Female |
| Sample Port | 7/16 DIN Female |
| Number of Output Ports | 2 |
| Housing Material and Plating | Passivated Aluminum |

Electrical Specifications

| | |
|---|--------------|
| Split Ratio | 1:4 |
| Number of Bands | 4 |
| Impedance, Ohms | 50 |
| Maximum Insertion Loss, dB * | 1.17 |
| Maximum Input Power, Watts | 300 |
| Maximum Input VSWR | 1.4:1 |
| Peak Input Power, KWatts | 3 |
| Passive Intermodulation (2 x 43 dBm), dBc | 150 |
| Band 1 | |
| Frequency, GHz | 0.38 to 1.55 |
| Coupling Tolerance, dB | 0.5 |
| VSWR | 1.35 |
| Band 2 | |
| Frequency, GHz | 1.65 to 2.7 |
| Coupling Tolerance, dB | 0.5 |
| VSWR | 1.35:1 |
| Band 3 | |
| Frequency, GHz | 3.4 to 4.5 |
| Coupling Tolerance, dB | 1 |
| VSWR | 1.4:1 |

Click the following link (or enter part number in "SEARCH" on website) to obtain additional part information including price, inventory and certifications: [Low Loss 7 dB 7/16 DIN Unequal Tapper Optimized For Mobile Networks From 380 MHz to 6 GHz Rated To 300 Watts PE-T2006](#)

The information contained in this document is accurate to the best of our knowledge and representative of the part described herein. It may be necessary to make modifications to the part and/or the documentation of the part, in order to implement improvements. Pasternack reserves the right to make such changes as required. Unless otherwise stated, all specifications are nominal.



Low Loss 7 dB 7/16 DIN Unequal Tapper Optimized For Mobile Networks From 380 MHz to 6 GHz Rated To 300 Watts

TECHNICAL DATA SHEET

PE-T2006

Band 4

| | |
|------------------------|--------|
| Range, GHz | 5 to 6 |
| Coupling Tolerance, dB | 1.5 |
| VSWR | 1.35:1 |

Mechanical Specifications

Size

| | |
|-----------------|---------------|
| Length, in [mm] | 5.71 [145.03] |
| Width, in [mm] | 1.5 [38.1] |
| Height, in [mm] | 2.34 [59.44] |
| Weight, lbs [g] | 0.75 [340.19] |
| Humidity | IP65 |

Connector 1

| | |
|--------------------------------------|---------------|
| Contact Material and Plating | Brass, Silver |
| Outer Conductor Material and Plating | Brass, Silver |
| Body Material and Plating | Brass, Silver |

Connector 2

| | |
|--------------------------------------|---------------|
| Contact Material and Plating | Brass, Silver |
| Outer Conductor Material and Plating | Brass, Silver |
| Body Material and Plating | Brass, Silver |

Connector 3

| | |
|--------------------------------------|---------------|
| Contact Material and Plating | Brass, Silver |
| Outer Conductor Material and Plating | Brass, Silver |
| Body Material and Plating | Brass, Silver |

Compliance Certifications (visit www.Pasternack.com for current document)

| | |
|----------------|-----|
| RoHS Compliant | Yes |
|----------------|-----|

Click the following link (or enter part number in "SEARCH" on website) to obtain additional part information including price, inventory and certifications: [Low Loss 7 dB 7/16 DIN Unequal Tapper Optimized For Mobile Networks From 380 MHz to 6 GHz Rated To 300 Watts PE-T2006](#)

The information contained in this document is accurate to the best of our knowledge and representative of the part described herein. It may be necessary to make modifications to the part and/or the documentation of the part, in order to implement improvements. Pasternack reserves the right to make such changes as required. Unless otherwise stated, all specifications are nominal.



Low Loss 7 dB 7/16 DIN Unequal Tapper Optimized For Mobile Networks From 380 MHz to 6 GHz Rated To 300 Watts

TECHNICAL DATA SHEET

PE-T2006

Plotted and Other Data

- * Notes:
- Values at 25 °C, sea level
 - Main line VSWR usable to DC
 - Coupling Port usable to 148 MHz or less with acceptable roll-off.
 - Insertion Loss = Dissipative Loss + Coupling Loss
 - Resonant Free in listed operating bands, Resonance may occur outside specified operating bands

Low Loss 7 dB 7/16 DIN Unequal Tapper Optimized For Mobile Networks From 380 MHz to 6 GHz Rated To 300 Watts from Pasternack Enterprises has same day shipment for domestic and International orders. Our RF, microwave and fiber optic products maintain a 99% availability and are part of the broadest selection in the industry.

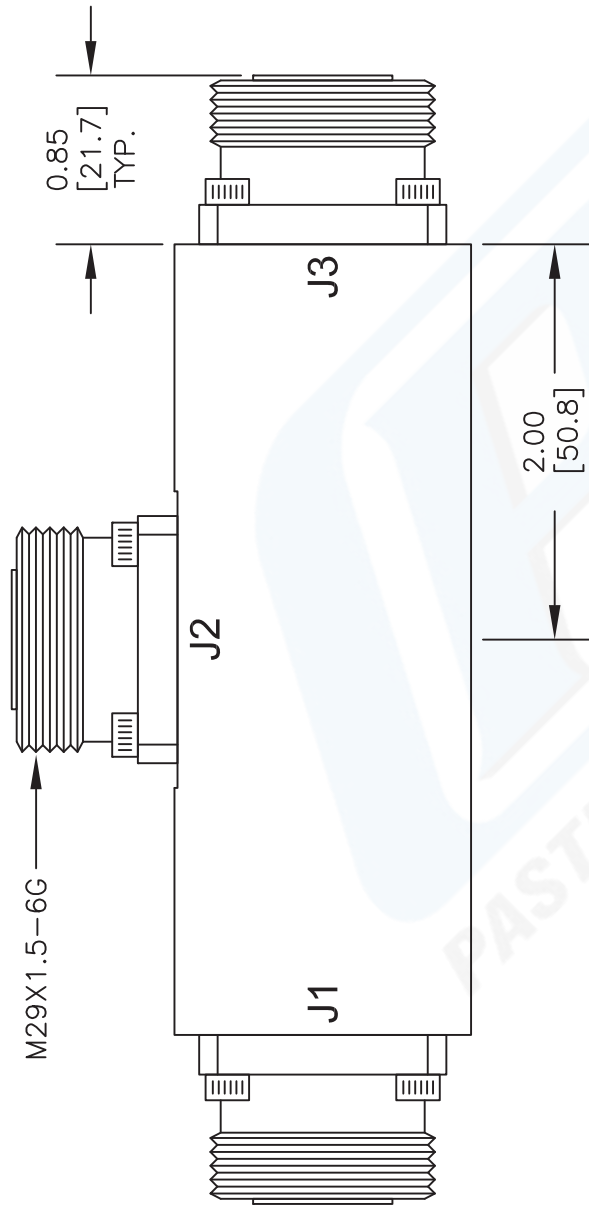
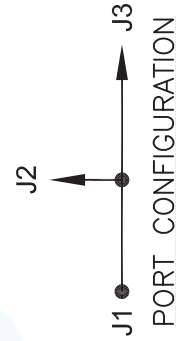
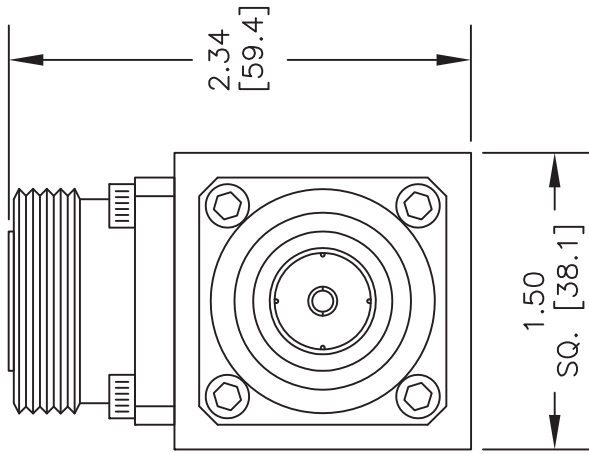
Click the following link (or enter part number in "SEARCH" on website) to obtain additional part information including price, inventory and certifications: [Low Loss 7 dB 7/16 DIN Unequal Tapper Optimized For Mobile Networks From 380 MHz to 6 GHz Rated To 300 Watts PE-T2006](http://www.pasternack.com/low-loss-7db-7-16-unequaltapper-380-mhz-6-ghz-300watts-pe-t2006-p.aspx)

URL: <http://www.pasternack.com/low-loss-7db-7-16-unequaltapper-380-mhz-6-ghz-300watts-pe-t2006-p.aspx>

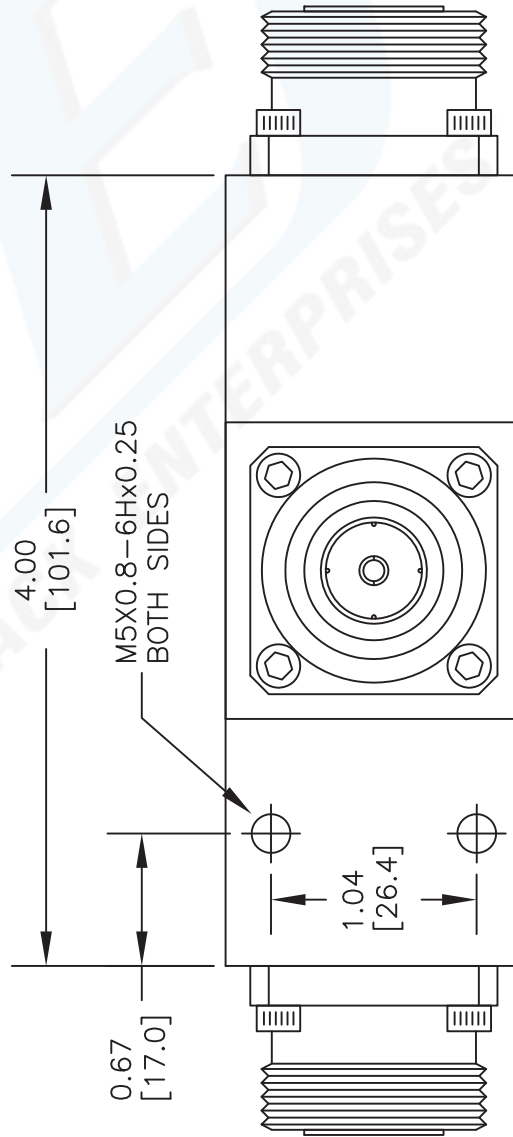
The information contained in this document is accurate to the best of our knowledge and representative of the part described herein. It may be necessary to make modifications to the part and/or the documentation of the part, in order to implement improvements. Pasternack reserves the right to make such changes as required. Unless otherwise stated, all specifications are nominal.

PE-T2006 CAD Drawing

Low Loss 7 dB 7/16 DIN Unequal Tapper Optimized For Mobile Networks From 380 MHz to 6 GHz Rated To 300 Watts



7/16 DIN FEMALE OUTPUT



7/16 DIN FEMALE INPUT

* FOR OPTIONAL MOUNTING BRACKET, SEE PE1012.

NOTES:

1. UNLESS OTHERWISE SPECIFIED ALL DIMENSIONS ARE NOMINAL.
2. ALL SPECIFICATIONS ARE SUBJECT TO CHANGE WITHOUT NOTICE AT ANY TIME.
3. DIMENSIONS ARE IN INCHES [mm].

DWG TITLE

PE-T2006

FSCM NO. 53919

2233



Pasternack Enterprises, Inc.
 P.O. Box 16759 | Irvine | CA | 92623
 Phone: (949) 261-1920 | Fax: (949) 261-7451
 Website: www.pasternack.com | E-Mail: sales@pasternack.com