

PIN Diode Shunt Switch Element

Rev. V1

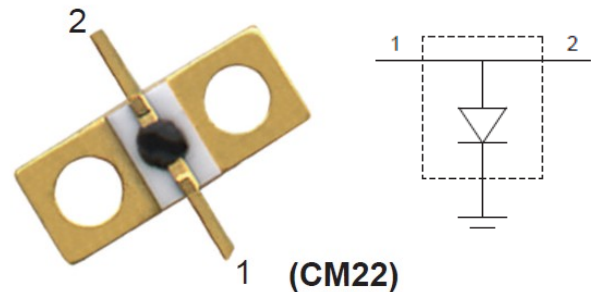
Features

- Supports up to 100 W when hot switched
- Supports up to 300 W when cold switched
- Low Insertion Loss: 0.15 dB up to 2.7 GHz
- High Isolation: 31 dB up to 2.7 GHz
- RoHS* Compliant

Description

A broadband, high linearity, high power shunt switch element in a 10 x 4 mm bolt channel metal package.

This device is designed for WiMax, Wibro, WLAN, TD-SCDMA and other wireless infrastructure applications. It is also suited for 0.1 ~ 6 GHz applications with up to 100 watts of power.



Electrical Specifications: $T_A = +25^\circ\text{C}$

Parameter	Test Conditions	Units	Min.	Typ.	Max.
Breakdown Voltage (V_B)	$I_R = 10 \mu\text{A}$	V	700	—	—
Forward Voltage (V_F)	$I_F = 100 \text{ mA}$	mV	—	850	—
Junction Capacitance (C_J)	$V_R = -50 \text{ V}$, 1 MHz	pF	—	0.4	—
Series Resistance (R_S)	$I_F = 100 \text{ mA}$, 500 MHz	Ω	—	0.4	0.6
I-Region (W)	I-Layer	μm	—	80	—
Insertion Loss (I_L)	$V_R = 50 \text{ V}$ 2.3 ~ 2.7 GHz <6.0 GHz	dB	—	0.15 0.35	0.25 0.45
Isolation (I_{SO})	$I_F = 100 \text{ mA}$ 2.3 ~ 2.7 GHz 6.0 GHz	dB	28 23	31 26	—
Input Return Loss (R_L)	$V_R = 50 \text{ V}$ 2.3 ~ 2.7 GHz 6.0 GHz	dB	15 10	22 15	—
Minority Carrier Lifetime (T_L)	$I_F = 10 \text{ mA}$, $I_R = 6 \text{ mA}$, @ 50%	ns	—	3400	—

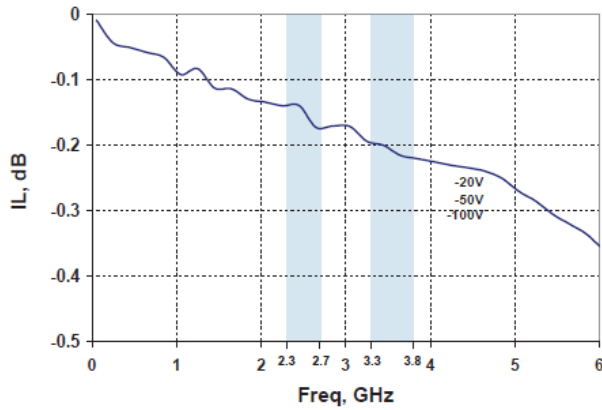
Absolute Maximum Ratings

Parameter	Absolute Maximum
Peak Current	1 A
Thermal Resistance	5°C/W
Junction Temperature	$+175^\circ\text{C}$
Storage Temperature	-65°C to $+150^\circ\text{C}$
Solder Temperature	$+230^\circ\text{C}$ for 30 seconds

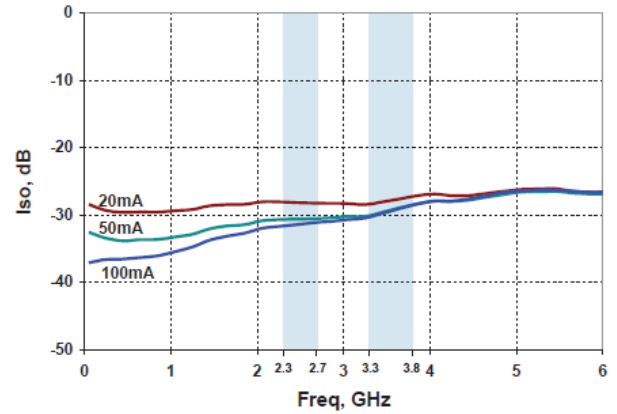
1 * Restrictions on Hazardous Substances, European Union Directive 2011/65/EU.

Typical RF Performance: Production Test Board
 $T_A = 25^\circ\text{C}$, $Z_0 = 50 \Omega$, -10 dBm Small Signal

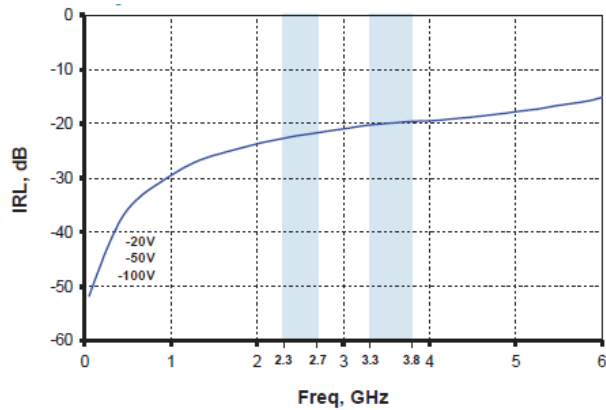
Insertion Loss



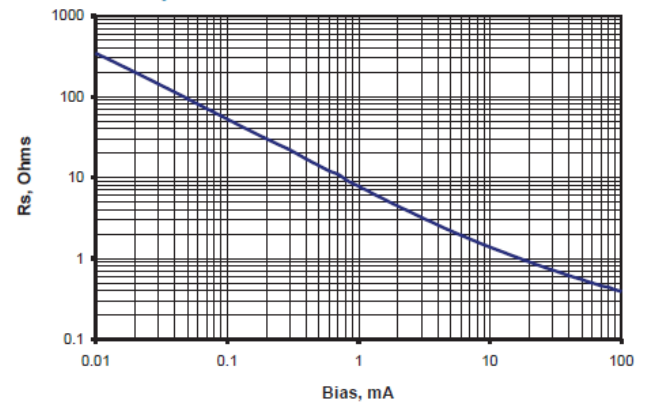
Isolation



Input Return Loss



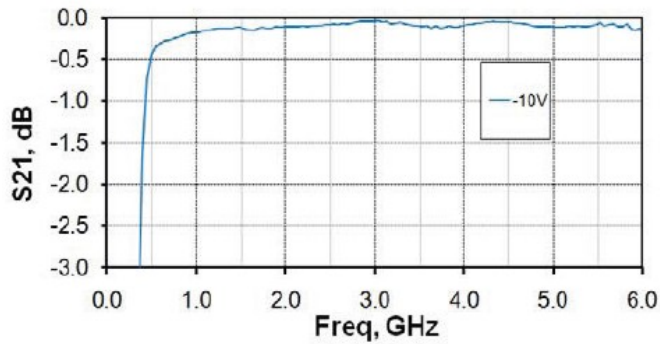
Series Resistance vs. Bias, 500 MHz



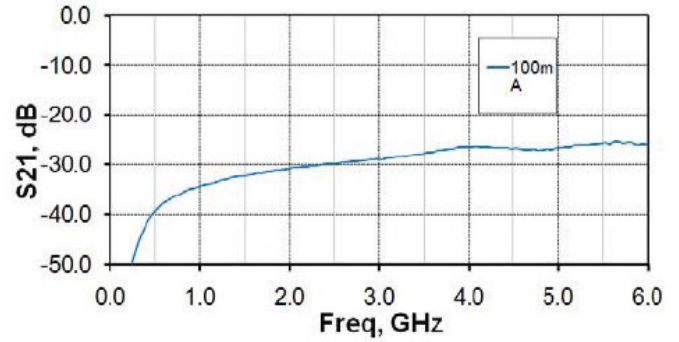
Typical RF Performance: Demo Board

$T_A = 25^\circ\text{C}$, $Z_O = 50 \Omega$, -10 dBm Small Signal, 100 mA Bias

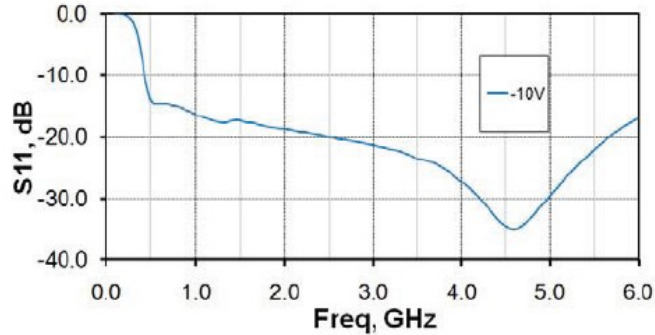
Insertion Loss



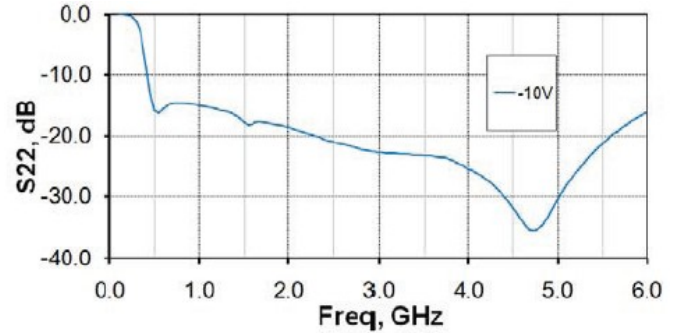
Isolation



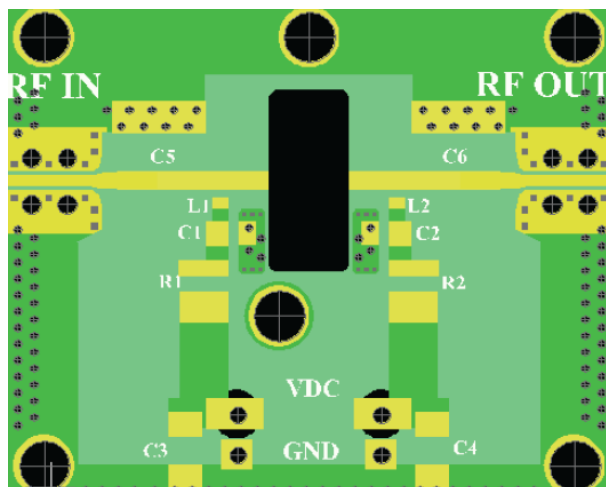
Input Return Loss



Output Return Loss

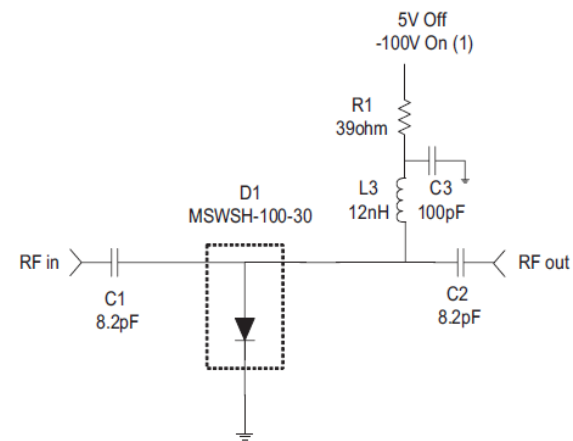


Recommended Demo PCB Layout



Dimensions: 1.50 in (3.81 cm) X 2.10 in (5.33cm)

Schematic

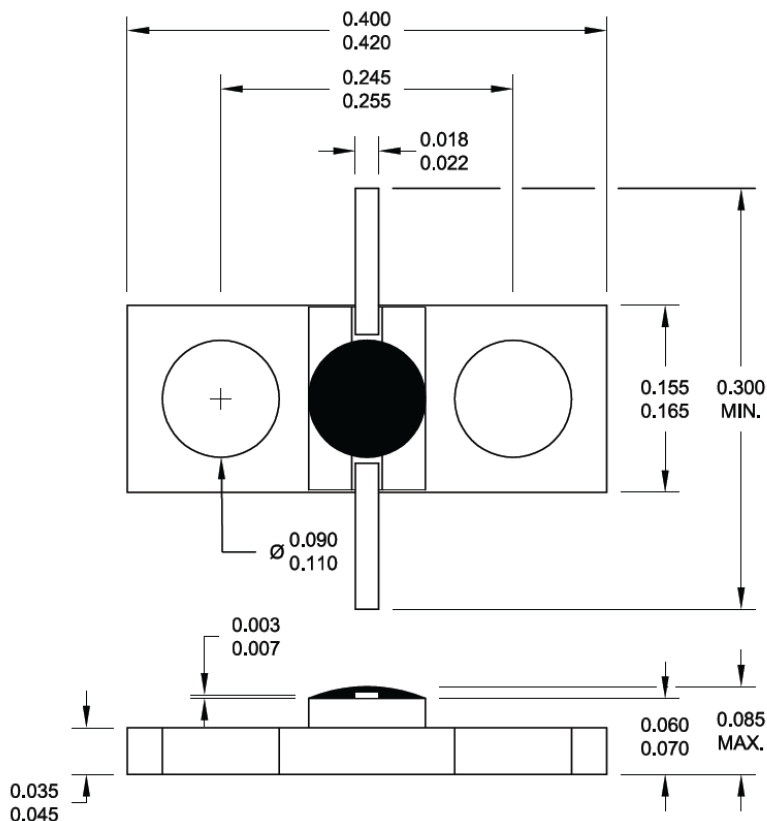


notes:
(1) Different Input power require different reverse bias voltage

Electrical Specifications: $T_A = +25^\circ\text{C}$

Component	Value	Description	Manufacture	Manufacture Part #
C1, C2	8.2 pF	Capacitor, 0402 pkg, 20%	ATC	ATC600L8R2BT200T
C3	100 pF	Chip Capacitor, 0603 pkg, 20%	ATC	ATC600S101JT250XT
R1	39 Ω	Chip Resistor, 0.5 W, 5%	KOA Speer	RK73B3ATTD390J
L1	12 nF	Chip Inductor, 0402 pkg, 10%	ATC	ATC402WL120JT

Outline (2012)



PIN FUNCTION

1,2 ANODE

Base Flange: CATHODE, RF and DC GROUND

(Inches)

MACOM Technology Solutions Inc. All rights reserved.

Information in this document is provided in connection with MACOM Technology Solutions Inc ("MACOM") products. These materials are provided by MACOM as a service to its customers and may be used for informational purposes only. Except as provided in MACOM's Terms and Conditions of Sale for such products or in any separate agreement related to this document, MACOM assumes no liability whatsoever. MACOM assumes no responsibility for errors or omissions in these materials. MACOM may make changes to specifications and product descriptions at any time, without notice. MACOM makes no commitment to update the information and shall have no responsibility whatsoever for conflicts or incompatibilities arising from future changes to its specifications and product descriptions. No license, express or implied, by estoppel or otherwise, to any intellectual property rights is granted by this document.

THESE MATERIALS ARE PROVIDED "AS IS" WITHOUT WARRANTY OF ANY KIND, EITHER EXPRESS OR IMPLIED, RELATING TO SALE AND/OR USE OF MACOM PRODUCTS INCLUDING LIABILITY OR WARRANTIES RELATING TO FITNESS FOR A PARTICULAR PURPOSE, CONSEQUENTIAL OR INCIDENTAL DAMAGES, MERCHANTABILITY, OR INFRINGEMENT OF ANY PATENT, COPYRIGHT OR OTHER INTELLECTUAL PROPERTY RIGHT. MACOM FURTHER DOES NOT WARRANT THE ACCURACY OR COMPLETENESS OF THE INFORMATION, TEXT, GRAPHICS OR OTHER ITEMS CONTAINED WITHIN THESE MATERIALS. MACOM SHALL NOT BE LIABLE FOR ANY SPECIAL, INDIRECT, INCIDENTAL, OR CONSEQUENTIAL DAMAGES, INCLUDING WITHOUT LIMITATION, LOST REVENUES OR LOST PROFITS, WHICH MAY RESULT FROM THE USE OF THESE MATERIALS.

MACOM products are not intended for use in medical, lifesaving or life sustaining applications. MACOM customers using or selling MACOM products for use in such applications do so at their own risk and agree to fully indemnify MACOM for any damages resulting from such improper use or sale.