



Detector, SMA, Video Out, 5 MHz to 25 MHz

## Detectors Technical Data Sheet

PE80T4002

The PE80T4002 is a Phase Detector that operate with an input frequency range from 5 MHz to 25 MHz. This Detector is designed with an integrated Loop Filter for ease of use in Phase Locked Loop Application. The Rugged Package Design utilizes Field Replaceable SMA Female connectors and meets MIL-STD-202F for Altitude, Shock, Vibration, and Humidity

### Features

- Frequency Range: 5 to 25MHz
- Input Power: -3 to +17 dBm
- Integrated Loop Filter
- DC Power: 12V
- Operating Temperature: -40°C to 85°C
- Field Replaceable SMA Connetors
- Designed to meet MIL-STD-202F Test Conditions

### Applications

- Electronic Warfare
- Test & Measurement
- Military & Space
- Phase Locked Loop System
- Military Communications Systems

### Electrical Specifications

Description	Minimum	Typical	Maximum	Units
Frequency Range	5 MHz		25 MHz	
VSWR		1.2:1	2:1	
Input Power	-3		+17	dBm
Phase Noise				
@ 10KHz Offset, Fo = 640 MHz, Ref = 10 MHz		-102		dBc/Hz
@ 10KHz Offset, Fo = 2 GHz, Ref = 25 GHz		-96		dBc/Hz
Loop Filter Bandwidth	5	10		KHz
DC Power Supply @ +15 Volts			40	mA
Operating Temperature Range	-40		+85	deg C

### Mechanical Specifications

### Environmental Specifications

#### Temperature

Operating Range	-40 to +85 deg C
Storage Range	-55 to +125 deg C

Humidity  
Shock  
Vibration  
Altitude

MIL-STD-202F, Method 103B, Condition B  
MIL-STD-202F, Method 213B, Condition B  
MIL-STD-202F, Method 204D, Condition B  
MIL-STD-202F, Method 105C, Condition B

Click the following link (or enter part number in "SEARCH" on website) to obtain additional part information including price, inventory and certifications: [Detector, SMA, Video Out, 5 MHz to 25 MHz PE80T4002](#)



Detector, SMA, Video Out, 5 MHz to 25 MHz

## Detectors Technical Data Sheet

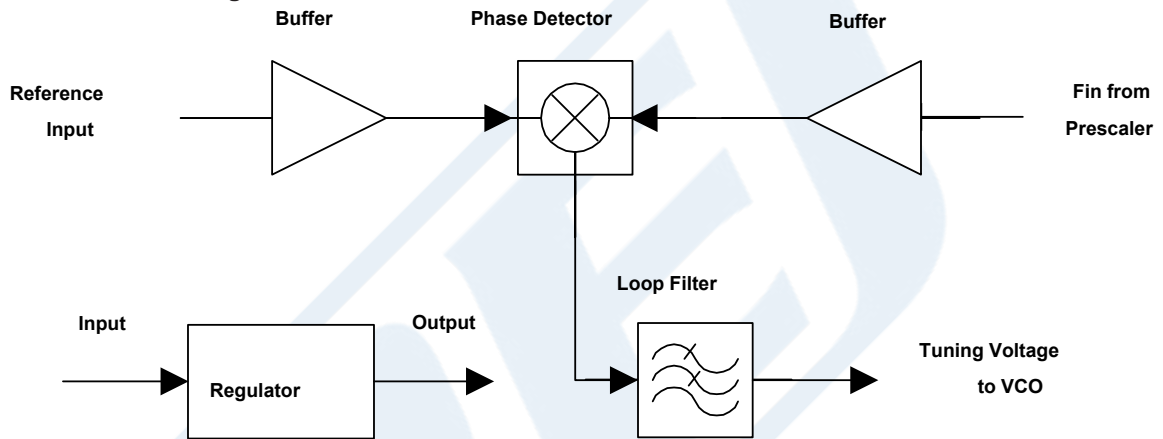
PE80T4002

**Compliance Certifications** (see [product page](#) for current document)

### Plotted and Other Data

Notes:

#### Functional Block Diagram



Detector, SMA, Video Out, 5 MHz to 25 MHz from Pasternack Enterprises has same day shipment for domestic and International orders. Our RF, microwave and millimeter wave products maintain a 99.4% availability and are part of the broadest selection in the industry.

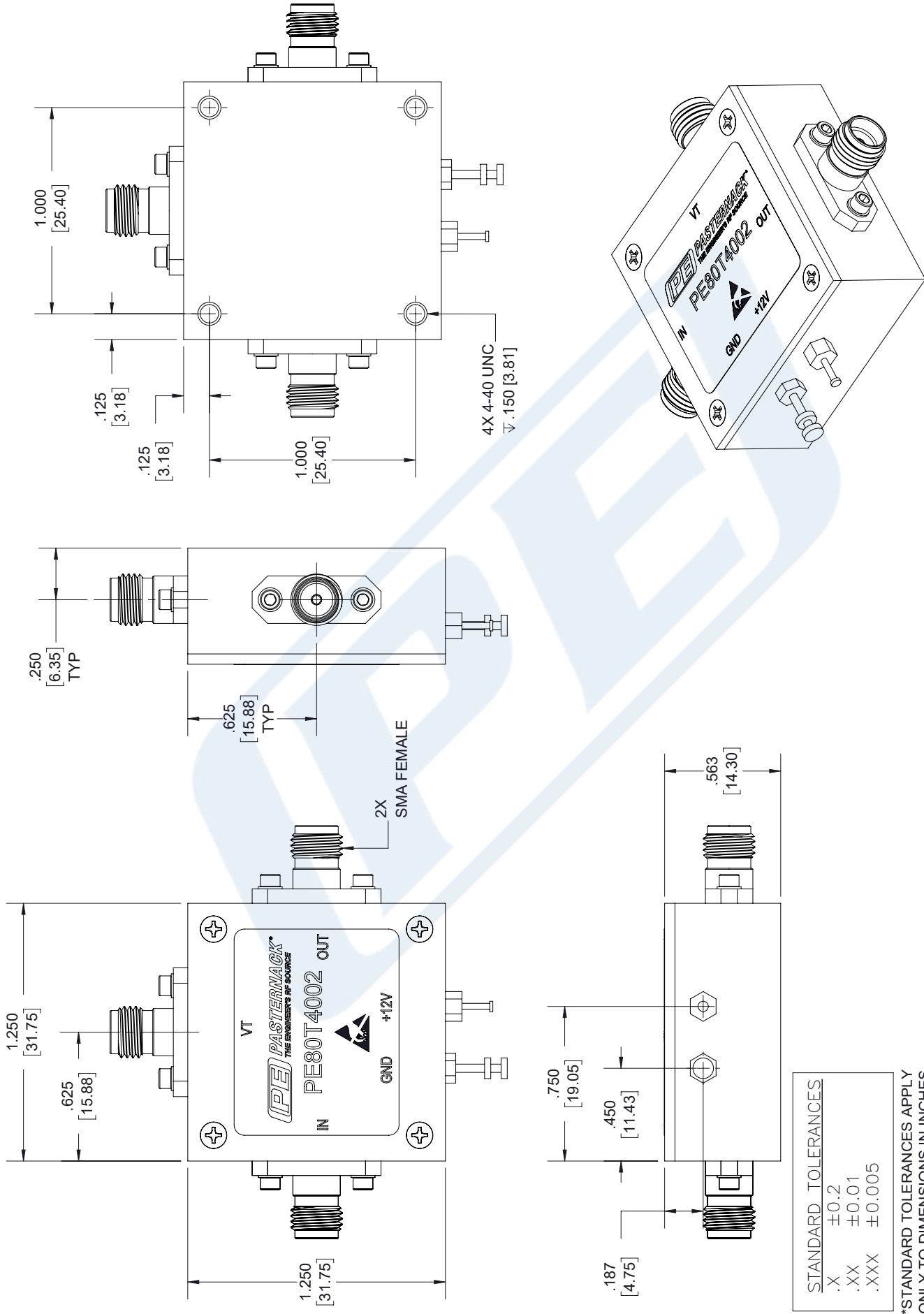
Click the following link (or enter part number in "SEARCH" on website) to obtain additional part information including price, inventory and certifications: [Detector, SMA, Video Out, 5 MHz to 25 MHz PE80T4002](#)

URL: <https://www.pasternack.com/detector-sma-5-25-mhz-pe80t4002-p.aspx>

The information contained in this document is accurate to the best of our knowledge and representative of the part described herein. It may be necessary to make modifications to the part and/or the documentation of the part, in order to implement improvements. Pasternack reserves the right to make such changes as required. Unless otherwise stated, all specifications are nominal. Pasternack does not make any representation or warranty regarding the suitability of the part described herein for any particular purpose, and Pasternack does not assume any liability arising out of the use of any part or documentation.

# PE80T4002 CAD Drawing

Detector, SMA, Video Out, 5 MHz to 25 MHz



STANDARD TOLERANCES	
.X	±0.2
.XX	±0.01
.XXX	±0.005

\*STANDARD TOLERANCES APPLY ONLY TO DIMENSIONS IN INCHES

**PE PASTERNAK**  
THE ENGINEER'S RF SOURCE  
 Pasternack Enterprises, Inc.  
 P.O. Box 16759 | Irvine | CA | 92623  
**Phone:** (949) 261-1920 | **Fax:** (949) 261-7451  
**Website:** www.pasternack.com | **E-Mail:** sales@pasternack.com

DWG TITLE	PE80T4002
CAGE CODE	53919

NOTES:	1. UNLESS OTHERWISE SPECIFIED ALL DIMENSIONS ARE NOMINAL. 2. ALL SPECIFICATIONS ARE SUBJECT TO CHANGE WITHOUT NOTICE AT ANY TIME. 3. DIMENSIONS ARE IN INCHES [mm].
CAD FILE	04/26/18
SCALE	N/A
SIZE	A
	7361