



Zero Biased E Band Waveguide Detector, WR-12, Negative Video Out, 60 GHz to 90 GHz, UG-387/U Round Cover Flange

TECHNICAL DATA SHEET

PE80T3001

The PE80T3001 is an E Band Waveguide Detector. The Detector operates in the 60 GHz to 90 GHz Frequency Range and has a Negative Output with a Sensitivity of -600 mV/mW Minimum and -900 mV/mW Typical. The unit operates over a 0°C to +50°C Temperature Range and has a Maximum Input Power Rating of +20 dBm. The Detector has a WR-12 Waveguide with UG 387/U Flange as the RF connector and the DC Output Port uses an SMA Female Connector.

Features

- Frequency: 60 GHz to 90 GHz
- Sensitivity: -600 mV/mW Minimum; -900 mV/mW Typical
- Output: Negative
- Maximum Power Input 20 dBm
- RF Connector WR-12 Waveguide with UG 387/U Flange
- DC Output: SMA Female Connector

Applications

- Test Lab
- Military Communications
- Commercial Communications

Electrical Specifications

Description	Minimum	Typical	Maximum	Units
Frequency Range	60		90	GHz
Voltage Sensitivity	-600	-900		mV/mW
Input Power			+20	dBm

Mechanical Specifications

Temperature

Operating Range 0 to +50 deg C

Size

Length 1.24 in [31.5 mm]
 Width 1 in [25.4 mm]
 Height 0.75 in [19.05 mm]
 Weight 0.0625 lbs [28.35 g]

Waveguide Size WR-12
 Flange Destination UG-387/U
 Flange Type Round Cover
 DC Connector SMA Female

Compliance Certifications (see [product page](#) for current document)

Plotted and Other Data

Notes:

- Values at +25 °C, sea level
- ESD Sensitive Material, Transport material in Approved ESD bags. Handle only in approved ESD Workstation.

Click the following link (or enter part number in "SEARCH" on website) to obtain additional part information including price, inventory and certifications: [Zero Biased E Band Waveguide Detector, WR-12, Negative Video Out, 60 GHz to 90 GHz, UG-387/U Round Cover Flange PE80T3001](#)



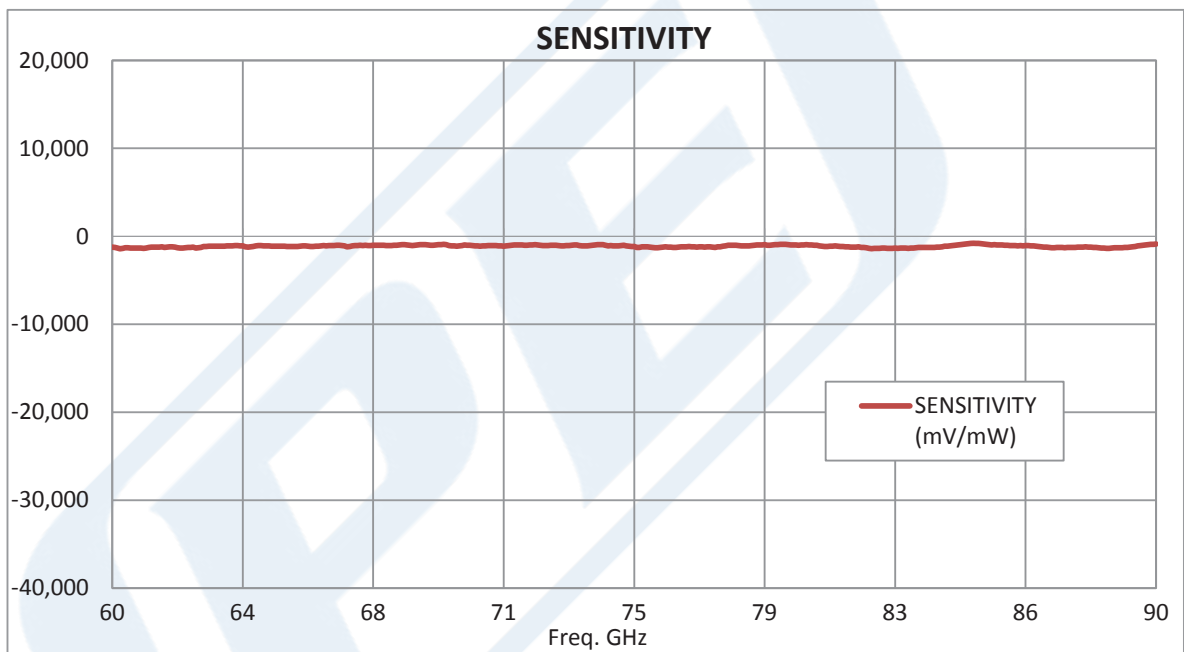
Zero Biased E Band Waveguide Detector, WR-12, Negative Video Out, 60 GHz to 90 GHz, UG-387/U Round Cover Flange

TECHNICAL DATA SHEET

PE80T3001



Typical Performance Data



Click the following link (or enter part number in "SEARCH" on website) to obtain additional part information including price, inventory and certifications: [Zero Biased E Band Waveguide Detector, WR-12, Negative Video Out, 60 GHz to 90 GHz, UG-387/U Round Cover Flange PE80T3001](#)



Zero Biased E Band Waveguide Detector, WR-12, Negative Video Out, 60 GHz to 90 GHz, UG-387/U Round Cover Flange

TECHNICAL DATA SHEET

PE80T3001

Zero Biased E Band Waveguide Detector, WR-12, Negative Video Out, 60 GHz to 90 GHz, UG-387/U Round Cover Flange from Pasternack Enterprises has same day shipment for domestic and International orders. Our RF, microwave and millimeter wave products maintain a 99.4% availability and are part of the broadest selection in the industry.

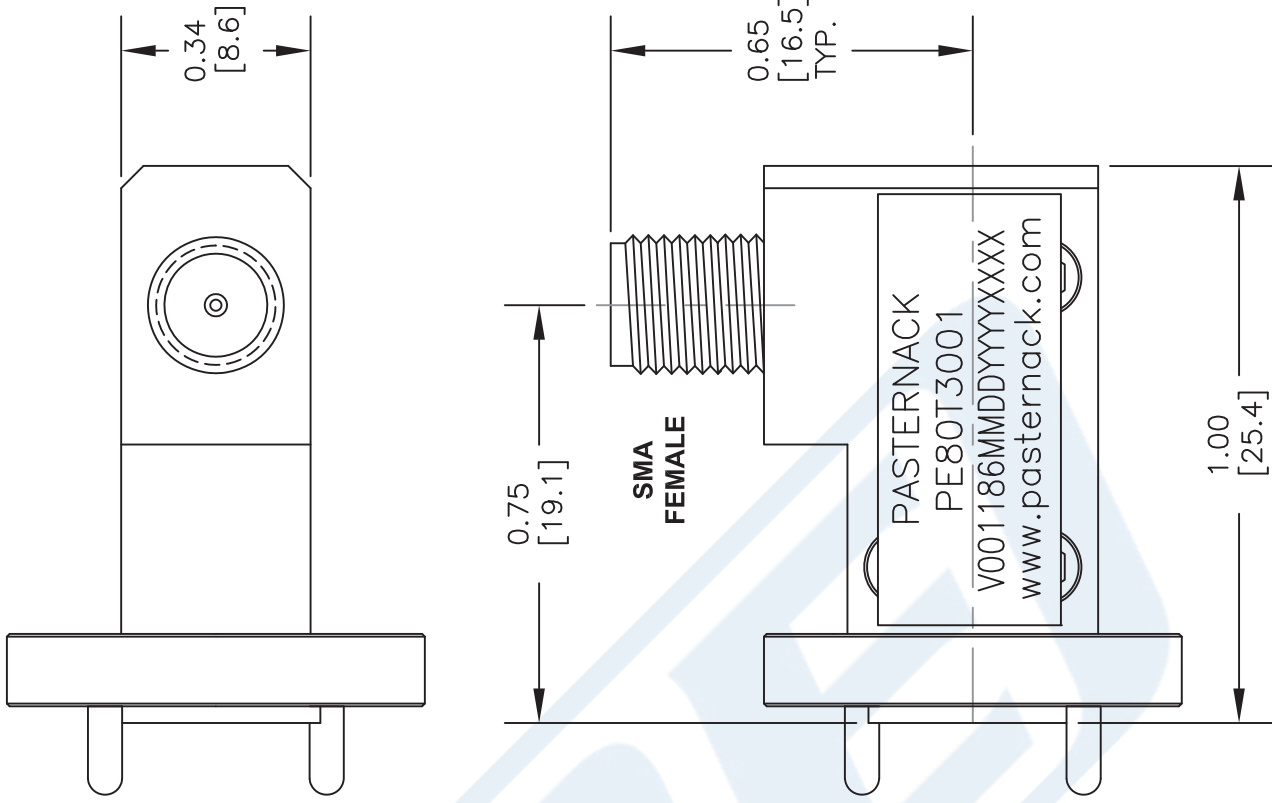
Click the following link (or enter part number in "SEARCH" on website) to obtain additional part information including price, inventory and certifications: [Zero Biased E Band Waveguide Detector, WR-12, Negative Video Out, 60 GHz to 90 GHz, UG-387/U Round Cover Flange PE80T3001](https://www.pasternack.com/zero-biased-e-band-waveguide-detector-wr-12-negative-60-90-ghz-ug-387/u-round-cover-flange-pe80t3001)

URL: <https://www.pasternack.com/zero-biased-e-band-waveguide-detector-wr-12-negative-60-90-ghz-pe80t3001-p.aspx>

The information contained in this document is accurate to the best of our knowledge and representative of the part described herein. It may be necessary to make modifications to the part and/or the documentation of the part, in order to implement improvements. Pasternack reserves the right to make such changes as required. Unless otherwise stated, all specifications are nominal. Pasternack does not make any representation or warranty regarding the suitability of the part described herein for any particular purpose, and Pasternack does not assume any liability arising out of the use of any part or documentation.

PE80T3001 CAD Drawing

Zero Biased E Band Waveguide Detector, WR-12, Negative Video Out, 60 GHz to 90 GHz, UG-387/U Round Cover Flange



WR-12 WAVEGUIDE
W/UG-387/U FLANGE

UNLESS OTHERWISE SPECIFIED DIMENSIONS ARE IN INCHES. TOLERANCES ARE:	
DECIMALS	ANGLES FRACTIONS
.XX ±.01	± 1/2° ± 1/64
.XXX ±.005	
HOLE DIAMETER	TOLERANCE
.0135 TO .125	+ .004 / - .001
.126 TO .250	+ .005 / - .001
.251 TO .500	+ .006 / - .001
.501 TO .750	+ .008 / - .001
.751 TO 1.000	+ .010 / - .001
1.001 TO 2.000	+ .012 / - .001

* THESE DIMENSIONS AND TOLERANCES SUPERSEDE NOTE #1 ON TITLE BLOCK.

DWG TITLE

PE80T3001

FSCM NO. 53919

NOTES:
1. UNLESS OTHERWISE SPECIFIED ALL DIMENSIONS ARE NOMINAL.
2. ALL SPECIFICATIONS ARE SUBJECT TO CHANGE WITHOUT NOTICE AT ANY TIME.
3. DIMENSIONS ARE IN INCHES [mm].

CAD FILE 040615

SCALE N/A

SIZE A

2233

PE PASTERNAK
THE ENGINEER'S RF SOURCE

Pasternack Enterprises, Inc.
P.O. Box 16759 | Irvine | CA | 92623
Phone: (949) 261-1920 | Fax: (949) 261-7451
Website: www.pasternack.com | E-Mail: sales@pasternack.com