



57.5 GHz to 62.5 GHz Linear to Circular Polarizer,  
V Band, 1.1 Axial Ratio, 0.141 Inch Circular  
Waveguide, UG-385/U-Mod Flange

TECHNICAL DATA SHEET

PEWPL0008

Pasternack's PEWPL0008 is a V band linear to circular polarizer that operates at center frequency of 60 GHz with a  $\pm 2.5$  GHz bandwidth. The polarizer offers a maximum insertion loss of 1.0 dB, maximum axial ratio of 1.2, and a maximum VSWR of 1.4:1. PEWPL0001 polarizer model is fixed and can be used for either right-handed or left-handed polarization based on the direction of the input signal.

**Features**

- 0.141" Diameter Circular Waveguide
- UG-599/U-Mod Round Cover Flange
- Low Insertion Loss
- Good Axial Ratio

**Applications**

- Antenna Ranges
- Waveguide Polarization Selection
- Radar Systems
- Communication Systems

**Product Configuration**

|              |                              |
|--------------|------------------------------|
| Design       | Linear to Circular Polarizer |
| Polarization | Right-Hand/Left-Hand         |
| Band         | V                            |

**Electrical Specifications**

| Description      | Minimum | Typical   | Maximum | Units |
|------------------|---------|-----------|---------|-------|
| Frequency Range  | 57.5    |           | 62.5    | GHz   |
| Center Frequency |         | 60        |         | GHz   |
| Bandwidth        |         | $\pm 2.5$ |         | GHz   |
| Insertion Loss   |         | 0.5       | 1       | dB    |
| VSWR             |         | 1.2:1     | 1.4:1   |       |
| Axial Ratio      |         | 1.1       | 1.2     | dB    |
| Return Loss      |         | 20        | 15      |       |

**Mechanical Specifications**

|                         |                          |
|-------------------------|--------------------------|
| Circular Waveguide Size | 0.141 in Diameter        |
| Flange Type             | UG-385/U-Mod Round Cover |
| Body Material           | Aluminum                 |
| Plating                 | Gold                     |

**Size**

|        |                  |
|--------|------------------|
| Length | 1.31in [33.27mm] |
| Width  | 0.75in [19.05mm] |
| Height | 0.75in [19.05mm] |
| Weight | 0.05lbs [22.68g] |

**Temperature**

|                 |              |
|-----------------|--------------|
| Operating Range | -40 to +85°C |
|-----------------|--------------|

Click the following link (or enter part number in "SEARCH" on website) to obtain additional part information including price, inventory and certifications: [57.5 GHz to 62.5 GHz Linear to Circular Polarizer, V Band, 1.1 Axial Ratio, 0.141 Inch Circular Waveguide, UG-385/U-Mod Flange PEWPL0008](#)



57.5 GHz to 62.5 GHz Linear to Circular Polarizer,  
V Band, 1.1 Axial Ratio, 0.141 Inch Circular  
Waveguide, UG-385/U-Mod Flange

TECHNICAL DATA SHEET

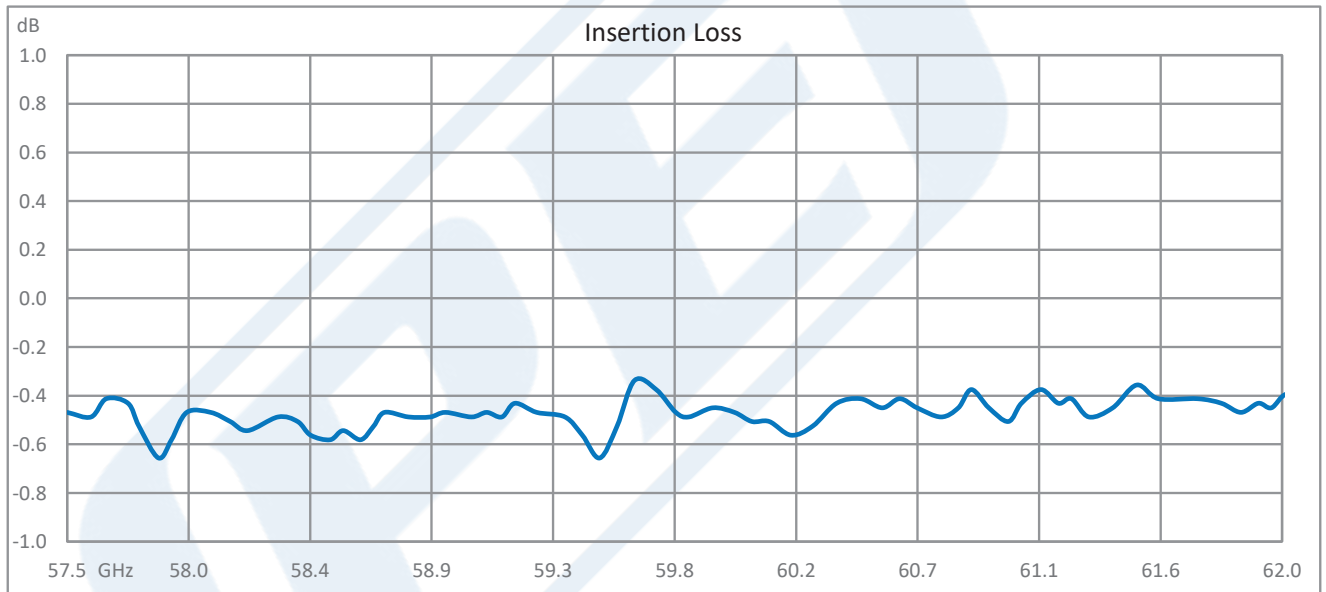
PEWPL0008

**Compliance Certifications** (see [product page](#) for current document)

**Plotted and Other Data**

Notes:

- Values at +25°C, sea level



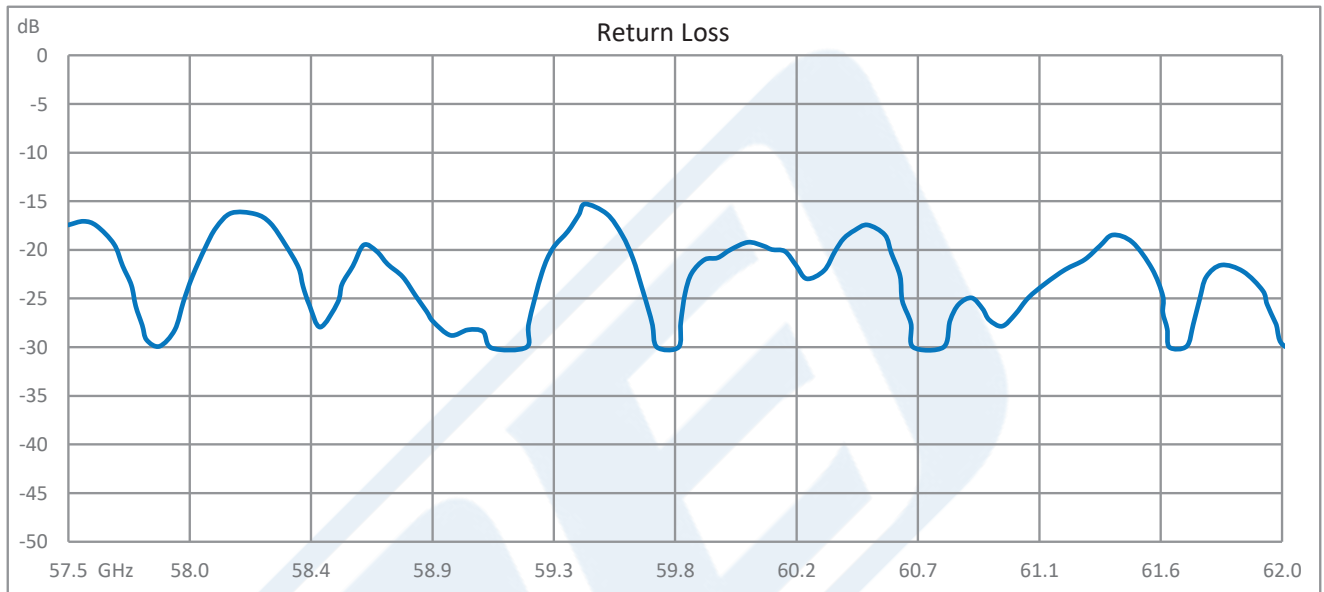
Click the following link (or enter part number in "SEARCH" on website) to obtain additional part information including price, inventory and certifications: [57.5 GHz to 62.5 GHz Linear to Circular Polarizer, V Band, 1.1 Axial Ratio, 0.141 Inch Circular Waveguide, UG-385/U-Mod Flange PEWPL0008](#)



57.5 GHz to 62.5 GHz Linear to Circular Polarizer,  
V Band, 1.1 Axial Ratio, 0.141 Inch Circular  
Waveguide, UG-385/U-Mod Flange

TECHNICAL DATA SHEET

PEWPL0008



57.5 GHz to 62.5 GHz Linear to Circular Polarizer, V Band, 1.1 Axial Ratio, 0.141 Inch Circular Waveguide, UG-385/U-Mod Flange from Pasternack Enterprises has same day shipment for domestic and International orders. Our RF, microwave and millimeter wave products maintain a 99.4% availability and are part of the broadest selection in the industry.

Click the following link (or enter part number in "SEARCH" on website) to obtain additional part information including price, inventory and certifications: [57.5 GHz to 62.5 GHz Linear to Circular Polarizer, V Band, 1.1 Axial Ratio, 0.141 Inch Circular Waveguide, UG-385/U-Mod Flange PEWPL0008](https://www.pasternack.com/pewpl0008-p.aspx)

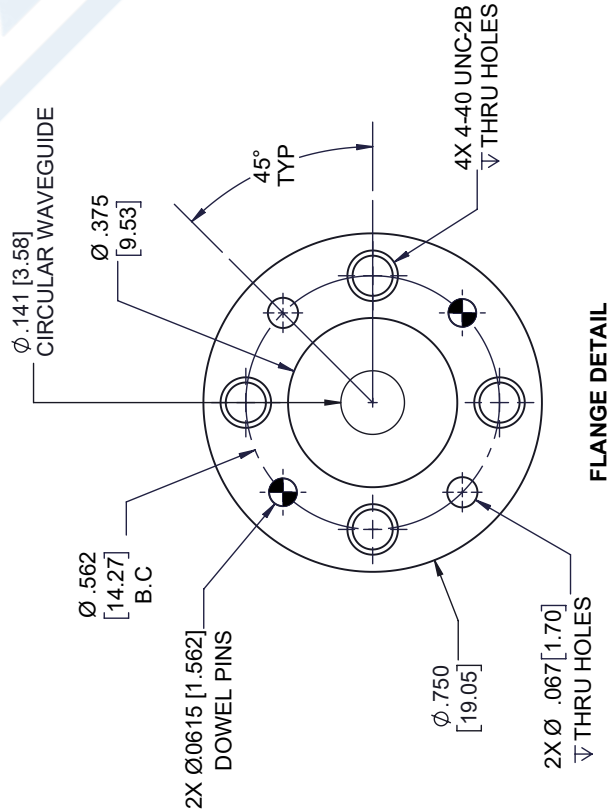
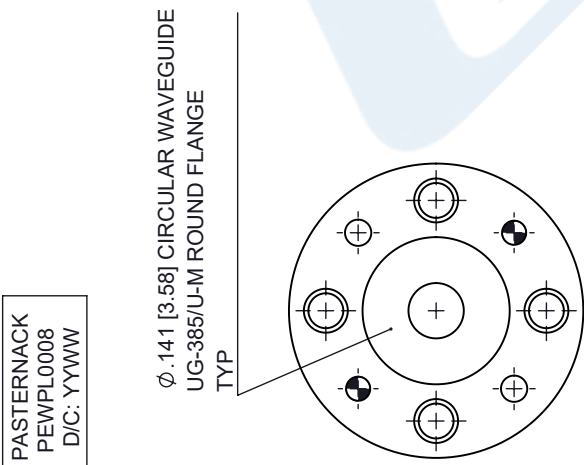
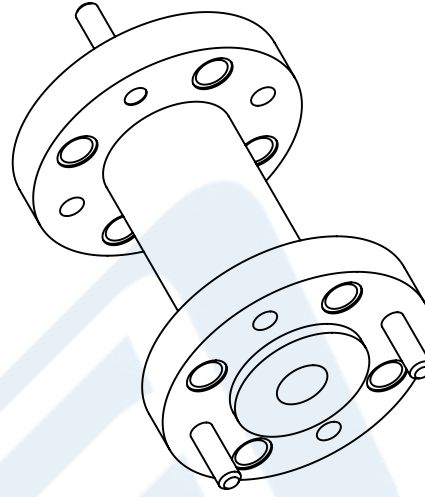
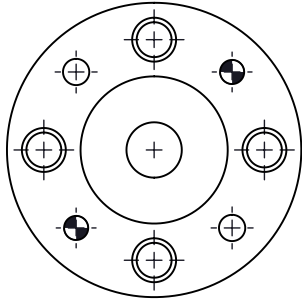
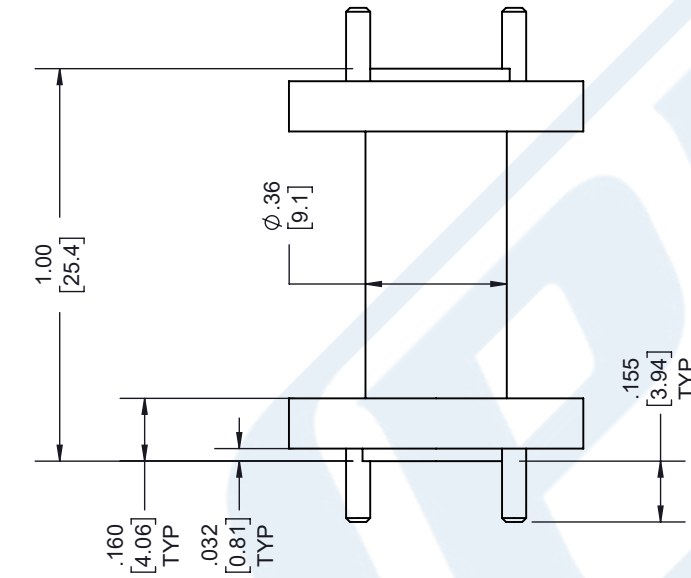
URL: <https://www.pasternack.com/pewpl0008-p.aspx>

The information contained in this document is accurate to the best of our knowledge and representative of the part described herein. It may be necessary to make modifications to the part and/or the documentation of the part, in order to implement improvements. Pasternack reserves the right to make such changes as required. Unless otherwise stated, all specifications are nominal. Pasternack does not make any representation or warranty regarding the suitability of the part described herein for any particular purpose, and Pasternack does not assume any liability arising out of the use of any part or documentation.

# PEWPL0008 CAD Drawing

57.5 GHz to 62.5 GHz Linear to Circular Polarizer, V Band, 1.1 Axial Ratio, 0.141 Inch Circular Waveguide, UG-385/U-Mod Flange

| REVISIONS |                 |          |          |
|-----------|-----------------|----------|----------|
| REV.      | DESCRIPTION     | DATE     | APPROVED |
| A         | INITIAL RELEASE | 09/20/19 | M.MILLER |



|   |  |  |  |
|---|--|--|--|
| <p>UNLESS OTHERWISE SPECIFIED LEADING DIMENSIONS ARE INCHES DIMENSIONS IN [ ] ARE MILLIMETERS</p> <p>TOLERANCES:<br/> X±.2 [5.08] FRACTIONS<br/> XX±.01 [.25] ±1/32<br/> XXX±.005 [.13] ANGLES ± 1°</p> <p>ALL DIMENSIONS SHOWN ARE FOR REFERENCE ONLY.<br/> THIRD-ANGLE PROJECTION</p> |  | <p>THE INFORMATION AND DESIGN IN THIS DOCUMENT IS THE PROPERTY OF PASTERNAK CORPORATION. ALL RIGHTS RESERVED.</p> <p>SHEET 1 OF 1<br/> SCALE N/A</p> |  |
| <p><b>(PE) PASTERNAK</b><br/> an INFINITO brand</p> <p>Pasternack Enterprises, Inc.<br/> P. O. Box 16759, Irvine, CA 92623.<br/> Phone: 1.949.261.1920   1.866.727.8376<br/> Fax: 1.949.261.7451<br/> www.pasternack.com   e-mail: sales@pasternack.com</p>                             |  | <p>REV A</p> <p>PART NUMBER PEWPL0008</p>  |  |
| <p>SIZE [CAGE CODE] DRAWN BY K.DANG</p>   |  | <p>REV A</p>   |  |

PASTERNAK  
PEWPL0008  
D/C: YYWW

THESE COMMODITIES, TECHNOLOGY OR SOFTWARE WERE EXPORTED FROM THE UNITED STATES IN ACCORDANCE WITH THE EXPORT ADMINISTRATION REGULATIONS. DIVERSION CONTRARY TO U.S. LAW PROHIBITED.