

High Power Isolator SMA Female with 19 dB Isolation from 4 GHz to 8 GHz Rated to 30 Watts

The FMIR1040 is an RF isolator offering a forward power rating of 30 watts over an operational frequency band of 4 to 8 GHz. This coaxial part uses SMA female connectors on all ports and has a minimum of 19 dB of isolation.

Fairview Microwave offers a wide variety of isolators to fit your needs. These are two-port devices that transmit microwave or radio frequency power in one direction only and block the signal in the opposite direction. They can be thought of as a diode for RF energy. Isolators are used to isolate equipment from the effects of conditions outside of the equipment. For instance they are used to prevent a microwave source being detuned by a mismatched load. Fairview's isolators feature excellent insertion loss, high isolation and reliability.

Electrical Specifications

Description	Min	Typ	Max	Units
Frequency Range	4		8	GHz
Impedance		50		Ohms
Insertion Loss			0.5	dB
Isolation	19			dB
VSWR			1.35:1	
Forward Power, CW			30	Watts

Mechanical Specifications

Size	
Length	0.59 in [14.99 mm]
Width	0.71 in [18.03 mm]
Height	0.91 in [23.11 mm]
Weight	0.066 lbs [29.94 g]
Body Material and Plating	Aluminum, Nickel

Configuration

Direction	Clockwise
Connector 1	SMA Female
Connector 2	SMA Female

Environmental Specifications

Temperature

Operating Range	-20 to +70 deg C
Storage Range	-40 to +85 deg C

Humidity	100% RH at 35°C, 95%RH at 40°C
Shock	20G for 11msec half sine wave, 3 axis both directions
Vibration	25gRMS (15 degrees 2KHz) endurance, 1 hour per axis
Altitude	30,000 ft. (Epoxy Sealed Controlled environment)

Compliance Certifications (see [product page](#) for current document)

Plotted and Other Data

Notes:



Features:

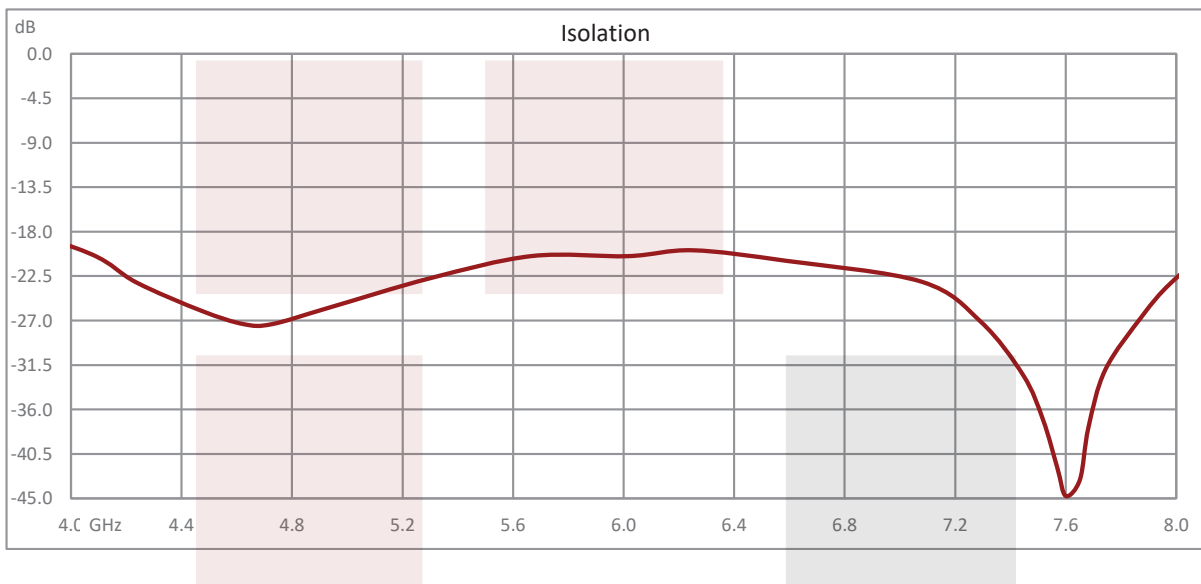
- Forward Power 30 watts
- Wide-Band Operating of 4 to 8 GHz
- Female SMA Connectors
- Low VSWR of 1.35:1 Max
- Low Insertion Loss of 0.5 dB Max
- Good Isolation Performance of 19 dB Minimum

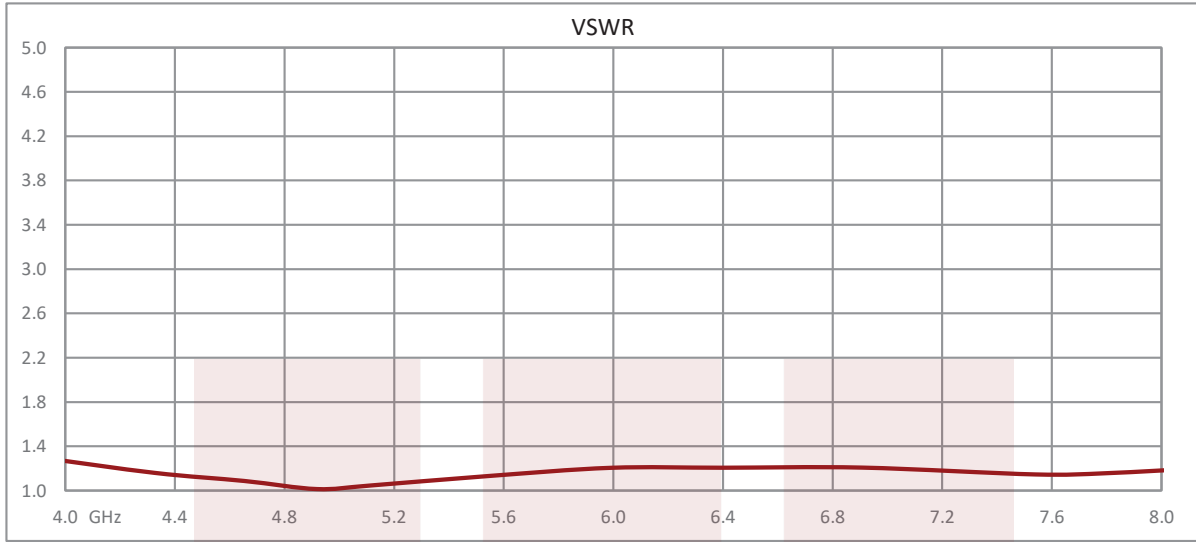
Applications:

- Radar Systems
- Military
- Wireless Radio Systems
- Telecom Infrastructure
- Communication Systems
- R&D Labs
- Microwave Radio Systems

Fairview Microwave
 301 Leora Ln., Suite 100
 Lewisville, TX 75056
 Tel: 1-800-715-4396 / (972) 649-6678
 Fax: (972) 649-6689
www.fairviewmicrowave.com
sales@fairviewmicrowave.com

Typical Performance Data



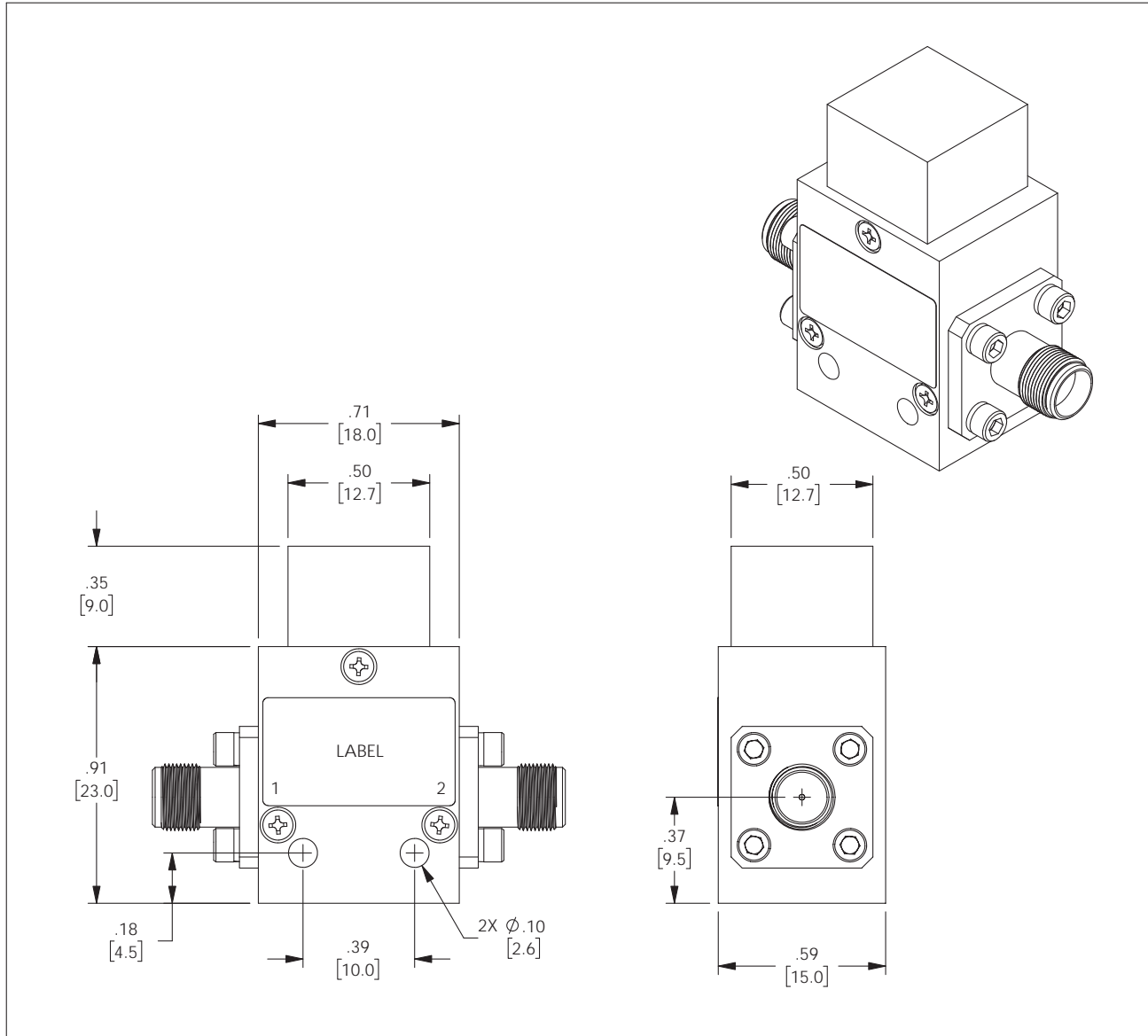


High Power Isolator SMA Female with 19 dB Isolation from 4 GHz to 8 GHz Rated to 30 Watts from Fairview Microwave is in-stock and available to ship same-day. All of our RF/microwave products are available off-the-shelf from our ISO 9001:2008 certified facilities in Lewisville, Texas. Fairview Microwave is RF on-demand.

For additional information on this product, please click the following link: [High Power Isolator SMA Female with 19 dB Isolation from 4 GHz to 8 GHz Rated to 30 Watts FMIR1040](https://www.fairviewmicrowave.com/high-power-isolator-sma-female-19db-isolation-8-ghz-30-watts-fmir1040-p.aspx)

URL: <https://www.fairviewmicrowave.com/high-power-isolator-sma-female-19db-isolation-8-ghz-30-watts-fmir1040-p.aspx>

The information contained in this document is accurate to the best of our knowledge and representative of the part described herein. It may be necessary to make modifications to the part and/or the documentation of the part, in order to implement improvements. Fairview Microwave reserves the right to make such changes as required. Unless otherwise stated, all specifications are nominal. Fairview Microwave does not make any representation or warranty regarding the suitability of the part described herein for any particular purpose, and Fairview Microwave does not assume any liability arising out of the use of any part or documentation.



LABEL:
FAIRVIEW MICROWAVE
FMIR1040
D/C: XXXX

THESE COMMODITIES, TECHNOLOGY OR SOFTWARE WERE EXPORTED FROM THE UNITED STATES IN ACCORDANCE WITH THE EXPORT ADMINISTRATION REGULATIONS. DIVERSION CONTRARY TO U.S. LAW PROHIBITED.

<p>Fairview Microwave an INFINIT[®] brand</p>	<p>UNLESS OTHERWISE SPECIFIED LEADING DIMENSIONS ARE INCHES DIMENSIONS IN [] ARE MILLIMETERS</p> <p>TOLERANCES: CABLE LENGTH (L) TOLERANCES:</p> <p>L ≤ 12 [305] = +1 [25] / -0 12 [305] < L ≤ 60 [1524] = +2 [51] / -0 60 [1524] < L ≤ 120 [3048] = +4 [102] / -0 120 [3048] < L ≤ 300 [7620] = +6 [152] / -0 300 [7620] < L = +5%L / -0</p>		<p>THIRD-ANGLE PROJECTION</p> <p>THE INFORMATION AND DESIGN IN THIS DOCUMENT IS THE PROPERTY OF FAIRVIEW MICROWAVE CORPORATION. ALL RIGHTS RESERVED.</p>	
	<p>TITLE</p> <p>High Power Isolator SMA Female with 19 dB Isolation from 4 GHz to 8 GHz Rated to 30 Watts</p>		<p>SHEET 1 OF 1</p>	
<p>ALL DIMENSIONS SHOWN ARE FOR REFERENCE ONLY.</p>				<p>SCALE</p> <p>N/A</p>
<p>SIZE</p> <p>A</p>	<p>CAGE CODE</p> <p>3FKR5</p>	<p>DRAWN BY</p> <p>DFRISIELLO</p>	<p>ITEM NO.</p> <p>FMIR1040</p>	<p>REV</p> <p>A</p>

T-Rev.D