

## Isolator SMA Male to SMA Female with 10 dB Isolation from 6 GHz to 18 GHz Rated to 10 Watts

The FMIR1030 is an RF isolator offering a forward power rating of 10 watts over an operational frequency band of 6 to 18 GHz. This coaxial part uses SMA male input and SMA female output and has a minimum of 10 dB of isolation.

Fairview Microwave offers a wide variety of isolators to fit your needs. These are two-port devices that transmit microwave or radio frequency power in one direction only and block the signal in the opposite direction. They can be thought of as a diode for RF energy. Isolators are used to isolate equipment from the effects of conditions outside of the equipment. For instance they are used to prevent a microwave source being detuned by a mismatched load. Fairview's isolators feature excellent insertion loss, high isolation and reliability.

### Electrical Specifications

Description	Min	Typ	Max	Units
Frequency Range	6		18	GHz
Impedance		50		Ohms
Insertion Loss			1.5	dB
Isolation	10			dB
VSWR			1.6:1	
Forward Power, CW			10	Watts

### Mechanical Specifications

<b>Size</b>	
Length	0.78 in [19.81 mm]
Width	0.49 in [12.45 mm]
Height	0.35 in [8.89 mm]
Weight	0.021 lbs [9.53 g]
Body Material and Plating	Aluminum, Nickel

### Configuration

Direction	Clockwise
Connector 1	SMA Male
Connector 2	SMA Female

### Environmental Specifications

#### Temperature

Operating Range	-20 to +70 deg C
Storage Range	-40 to +85 deg C

Humidity	100% RH at 35°C, 95%RH at 40°C
Shock	20G for 11msec half sine wave, 3 axis both directions
Vibration	25gRMS (15 degrees 2KHz) endurance, 1 hour per axis
Altitude	30,000 ft. (Epoxy Sealed Controlled environment)

**Compliance Certifications** (see [product page](#) for current document)

### Plotted and Other Data

Notes:



### Features:

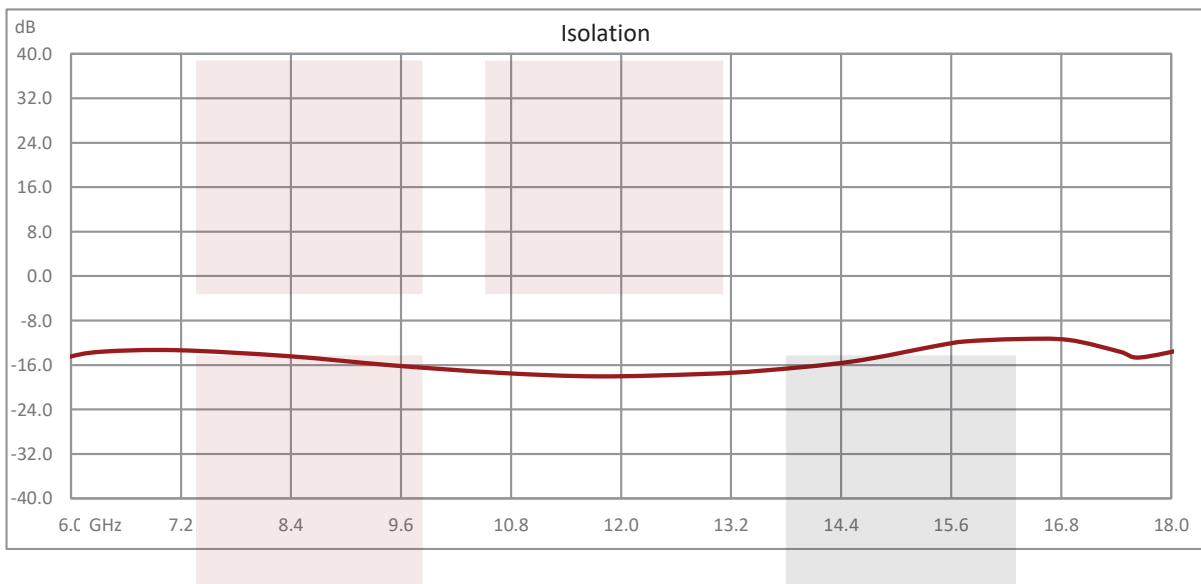
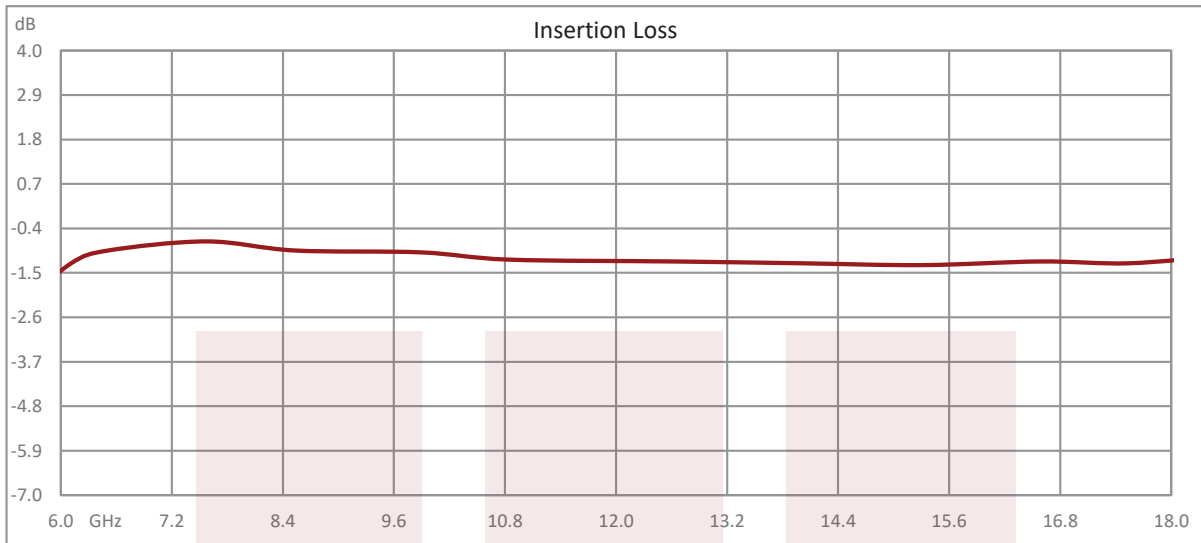
- Forward Power 10 watts
- Wide-Band Operating of 6 to 18 GHz
- Female and Male SMA Connectors
- Low VSWR of 1.60:1 Max
- Low Insertion Loss of 1.5 dB Max
- Good Isolation Performance of 10 dB Minimum

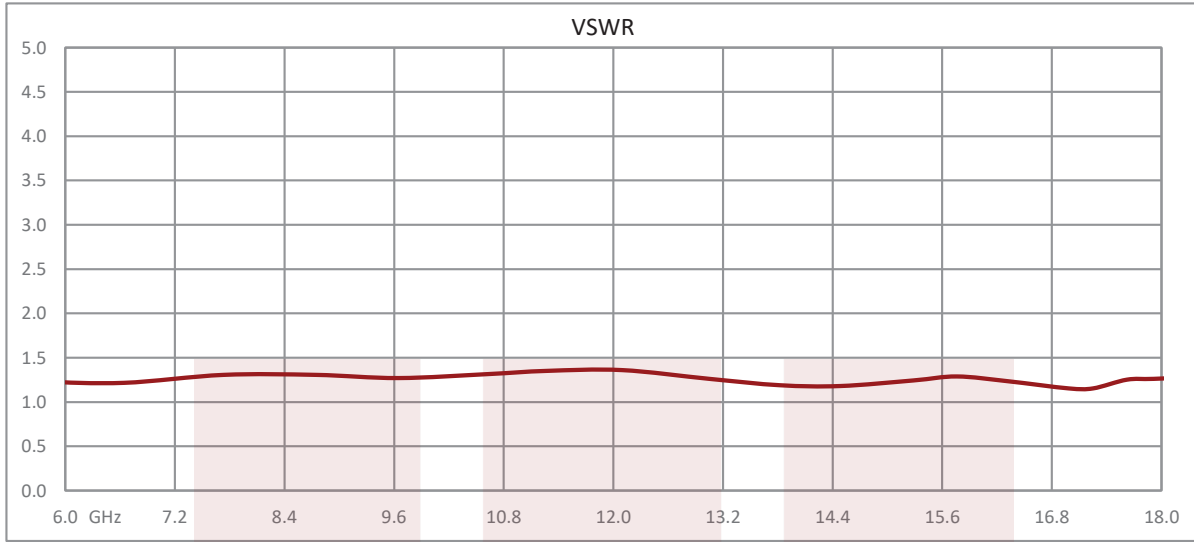
### Applications:

- Radar Systems
- Military
- Wireless Radio Systems
- Telecom Infrastructure
- Communication Systems
- R&D Labs
- Microwave Radio Systems

Fairview Microwave  
 301 Leora Ln., Suite 100  
 Lewisville, TX 75056  
 Tel: 1-800-715-4396 / (972) 649-6678  
 Fax: (972) 649-6689  
[www.fairviewmicrowave.com](http://www.fairviewmicrowave.com)  
[sales@fairviewmicrowave.com](mailto:sales@fairviewmicrowave.com)

**Typical Performance Data**





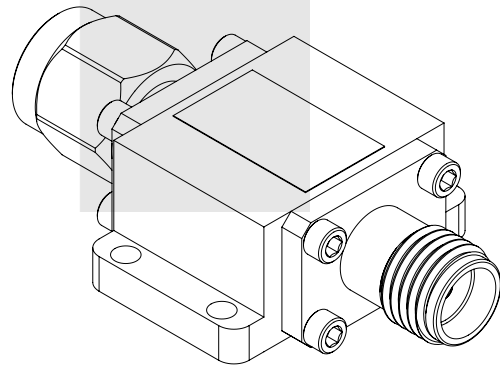
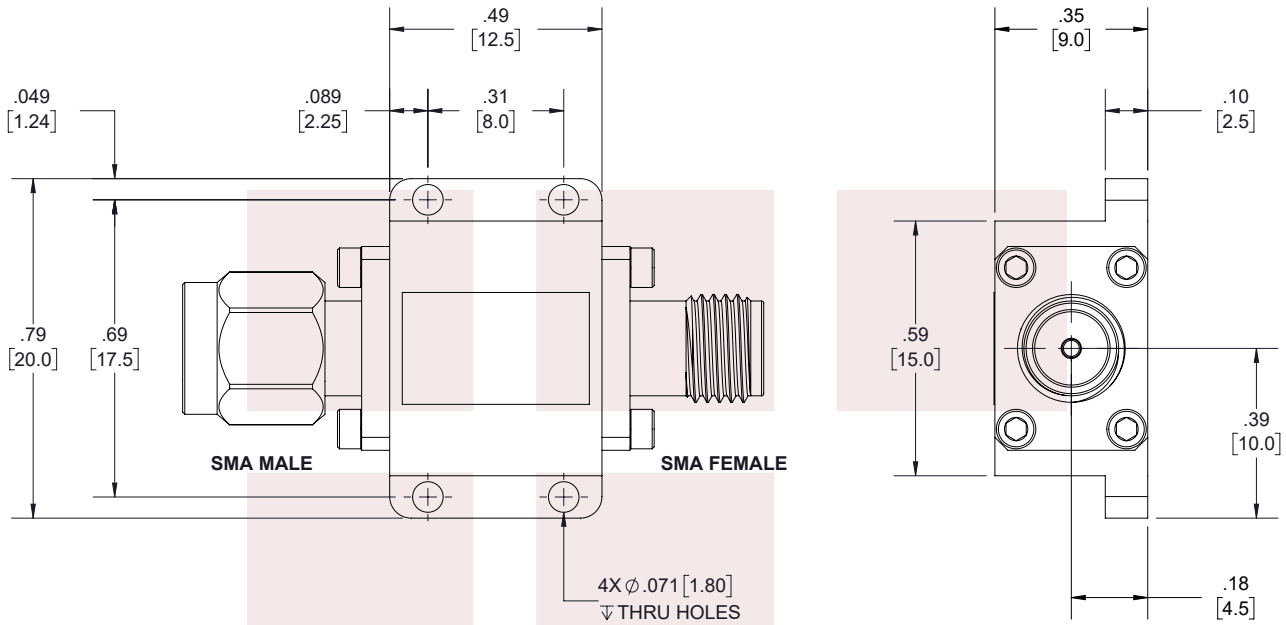
Isolator SMA Male to SMA Female with 10 dB Isolation from 6 GHz to 18 GHz Rated to 10 Watts from Fairview Microwave is in-stock and available to ship same-day. All of our RF/microwave products are available off-the-shelf from our ISO 9001:2008 certified facilities in Lewisville, Texas. Fairview Microwave is RF on-demand.

For additional information on this product, please click the following link: [Isolator SMA Male to SMA Female with 10 dB Isolation from 6 GHz to 18 GHz Rated to 10 Watts FMIR1030](#)

URL: <https://www.fairviewmicrowave.com/isolator-sma-male-10db-isolation-18-ghz-10-watts-fmir1030-p.aspx>

The information contained in this document is accurate to the best of our knowledge and representative of the part described herein. It may be necessary to make modifications to the part and/or the documentation of the part, in order to implement improvements. Fairview Microwave reserves the right to make such changes as required. Unless otherwise stated, all specifications are nominal. Fairview Microwave does not make any representation or warranty regarding the suitability of the part described herein for any particular purpose, and Fairview Microwave does not assume any liability arising out of the use of any part or documentation.

REVISIONS			
REV.	DESCRIPTION	DATE	APPROVED
A	INITIAL RELEASE	3/13/2020	S.PONG



**LABEL**

<b>FAIRVIEW MICROWAVE</b>	
FMIR1030	
D/C: WWYY	
1	2

THESE COMMODITIES, TECHNOLOGY OR SOFTWARE WERE EXPORTED FROM THE UNITED STATES IN ACCORDANCE WITH THE EXPORT ADMINISTRATION REGULATIONS. DIVERSION CONTRARY TO U.S. LAW PROHIBITED.

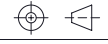
TITLE  
Isolator SMA Male to SMA Female with 10 dB Isolation from 6 GHz to 18 GHz Rated to 10 Watts

UNLESS OTHERWISE SPECIFIED LEADING DIMENSIONS ARE INCHES DIMENSIONS IN [ ] ARE MILLIMETERS

TOLERANCES: CABLE LENGTH (L) TOLERANCES:

.X = ±.2 [5.08]	FRACTIONS ± 1/32	L ≤ 12 [305] = +1 [25] / -0
.XX = ±.02 [.51]	ANGLES ± 1°	12 [305] < L ≤ 60 [1524] = +2 [51] / -0
.XXX = ±.005 [.13]		60 [1524] < L ≤ 120 [3048] = +4 [102] / -0
		120 [3048] < L ≤ 300 [7620] = +6 [152] / -0
		300 [7620] < L = +5%L / -0

THIRD-ANGLE PROJECTION



THE INFORMATION AND DESIGN IN THIS DOCUMENT IS THE PROPERTY OF FAIRVIEW MICROWAVE CORPORATION. ALL RIGHTS RESERVED.

SHEET 1 OF 1

ALL DIMENSIONS SHOWN ARE FOR REFERENCE ONLY.

SCALE N/A

SIZE A	CAGE CODE 3FKR5	DRAWN BY K.DANG	ITEM NO. FMIR1030	REV A
-----------	--------------------	--------------------	----------------------	----------

T-Rev.D