



Part Number: DMC5011

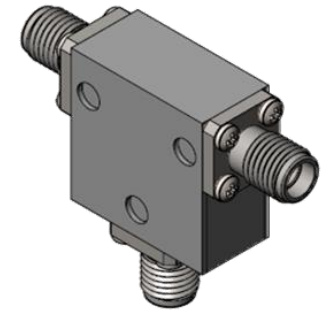
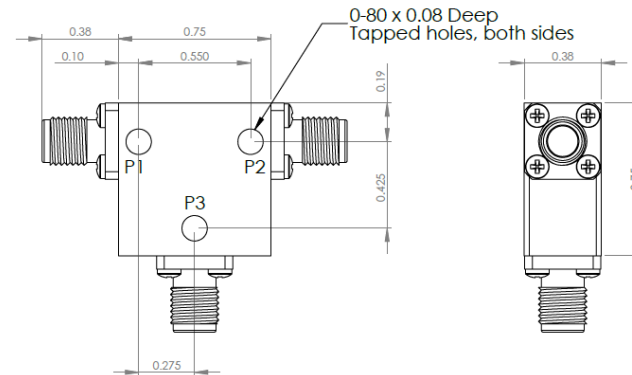
Electrical Specifications

Frequency Range (GHz):	5.0 – 10.7
Isolation (dB):	15 MIN
Insertion Loss (dB):	1.0 MAX
VSWR:	1.45:1 MIN
Forward Power (W):	30 AVG 30 PK

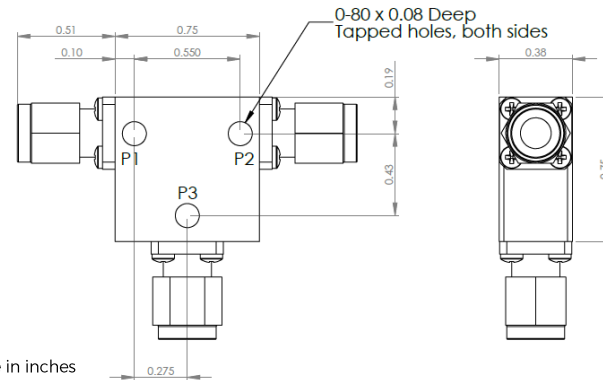
Mechanical/Environmental Specifications

Connector Type:	SMA
Connector Body:	Passivated stainless steel
Connector Pin:	Gold plated copper
Load Body:	Brass
Magnetic Shunt:	Nickel plated CRS
Operational Temp:	-30°C to +75°C
Weight (oz)	0.8 MAX

DMC5011 Dimensions



DMC5011-3 Dimensions



Dimensions are in inches
Tolerance

XX ±0.03
XXX ±0.010

Type of Device	PN Suffix	Connector Configuration Input / Output	PN Example
Single Junction Circulator 3-Port Device Port 1 / Port 2 / Port 3	No Dash	Female / Female / Female	DMC5011
	-1	Male / Female / Female	DMC5011-1
	-2	Female / Male / Female	DMC5011-2
	-3	Male / Male / Male	DMC5011-3
	-4	Female / Female / Male	DMC5011-4
	-5	Male / Female / Male	DMC5011-5
	-6	Male / Male / Female	DMC5011-6
	-7	Female / Male / Male	DMC5011-7



MEASURED DATA

Part Number: DMC5011, P1→P2, P3 Terminated with 50Ω, +25°C

