

DataSheet

4G/5G MIMO Antenna
YOZ-52544ZZ01-YM (Screw Mount)
YOZ-52544ZZ03-YM (Magnet Mount)

A Waterproof, High-Gain 4G/5G MIMO Antenna designed for various IoT Applications. Capable of supporting 2x2 MIMO with a Single Unit.

Applicable Bands :

(3G/4G) 1-8, 11-14, 17-21, 25,26, 28-30, 34, 39-42, 66, 70, 71

(5G_Sub-6) n3, n28, n40, n77, n78, n79

Frequency Range: 617~5000MHz

Dimensions : H126.6 x W96.6 x D67.1 mm

Standard Cable Length : 4,000 mm x 2

Connector : SMA (Male) x 2

Installation : Magnet/Double-Sided Tape/Screw

Water & Dust Resistance Grade : IP66



Application:

Remote Control of Construction Machinery, Agricultural Machinery, AGV, etc.,
Remote monitoring of Autonomous Vehicles,
Inventory Management/Electronic Payments for Vending machines, etc.



1. Specifications
2. Antenna Characteristics
3. Radiation Patterns
4. Mechanical Drawing
5. Packaging

1. Specifications

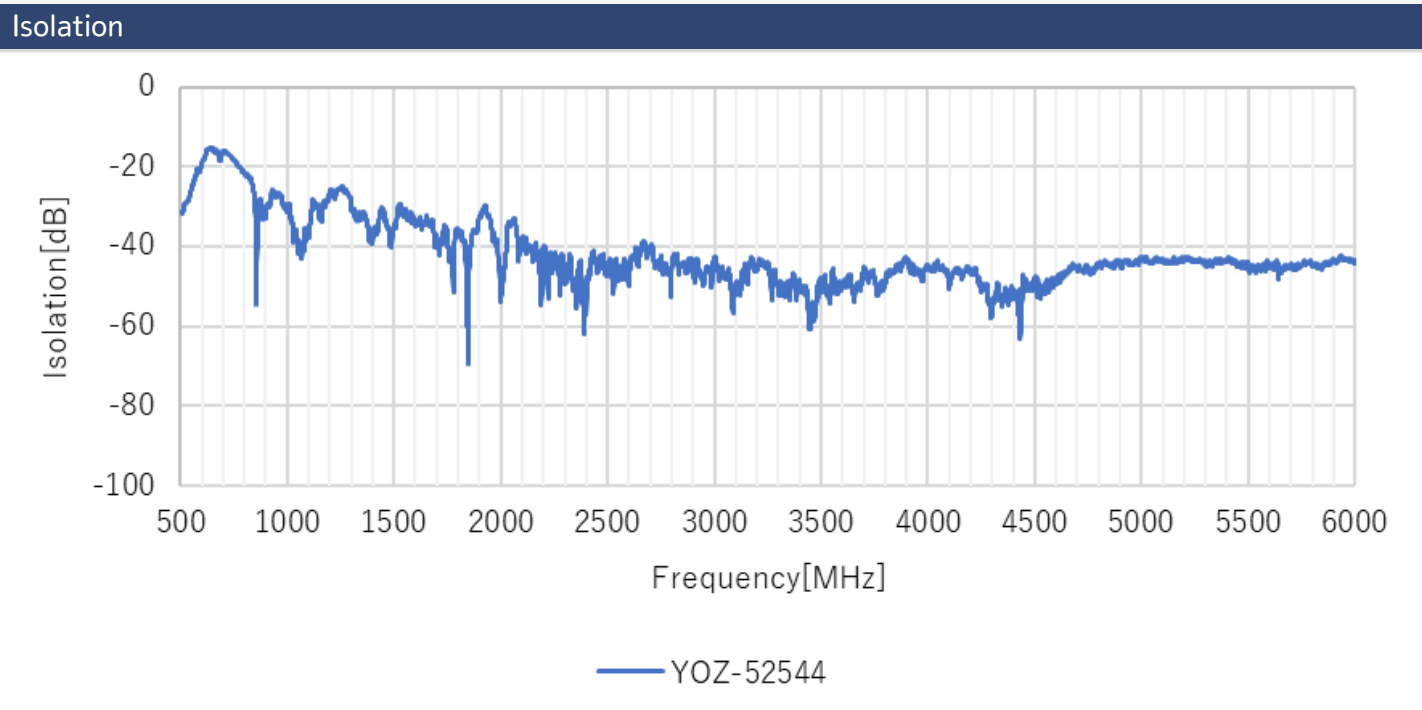
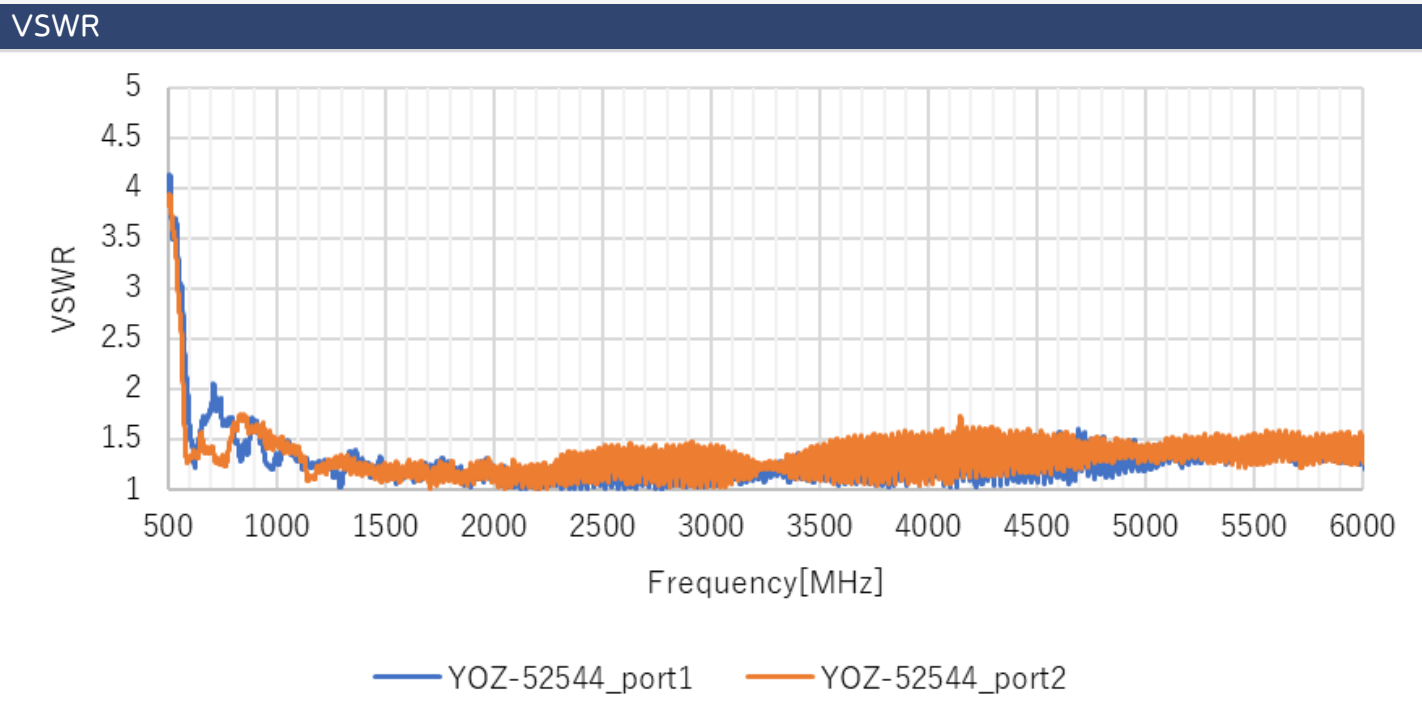
Electrical								
Band	Frequency [MHz]	ANT	Efficiency[%]	Peak Gain[dBi]	Impedance	Max Input Power	Polarization	Radiation Pattern
5G NR/4G Band 71	617-698	port1	29.3	-1.2	50 ohm	2W	Cross Polarized Linear Antennas	Omni-Directional
		port2	19.2	-2.5				
4G/3G Band 12,13,14,17,28,29	698-806	port1	32.9	-0.1				
		port2	25.7	-2.9				
4G/3G/NB-IoT/Cat M Band 5,8,18,19,20,26,27	824-960	port1	40.9	1.1				
		port2	41.1	-0.3				
5G NR/4G Band 21,32,74,75,76	1427-1518	port1	41.5	1.8				
		port2	36.7	1.3				
4G/3G band 1,2,3,4,9,23,25,35,39,66	1710-2200	port1	35.7	1.1				
		port2	32.4	1.5				
4G/3G Band 7,30,38,40,41	2300-2690	port1	32.7	1.8				
		port2	29.9	1.8				
5G NR/4G Band 22,42,48,77,78,79	3300-5000	port1	22.8	1.2				
		port2	21.6	0.9				
LTE5200/WiFi5800	5150-5925	port1	16.3	-1.7				
		port2	15.8	-1.6				

※with 4000mm 1.5D Cable

Mechanical	
Dimensions	136 * 67.1 * 126.6(with bracket)
Weight	310g(with cable and bracket)
Plastic Material	PC+ASA(MAIN BODY), PBT-GF30(BRACKET)
Waterproof Rating	IP66,IP67
Cable	4000mm 1.5D
Connector	SMA (M)

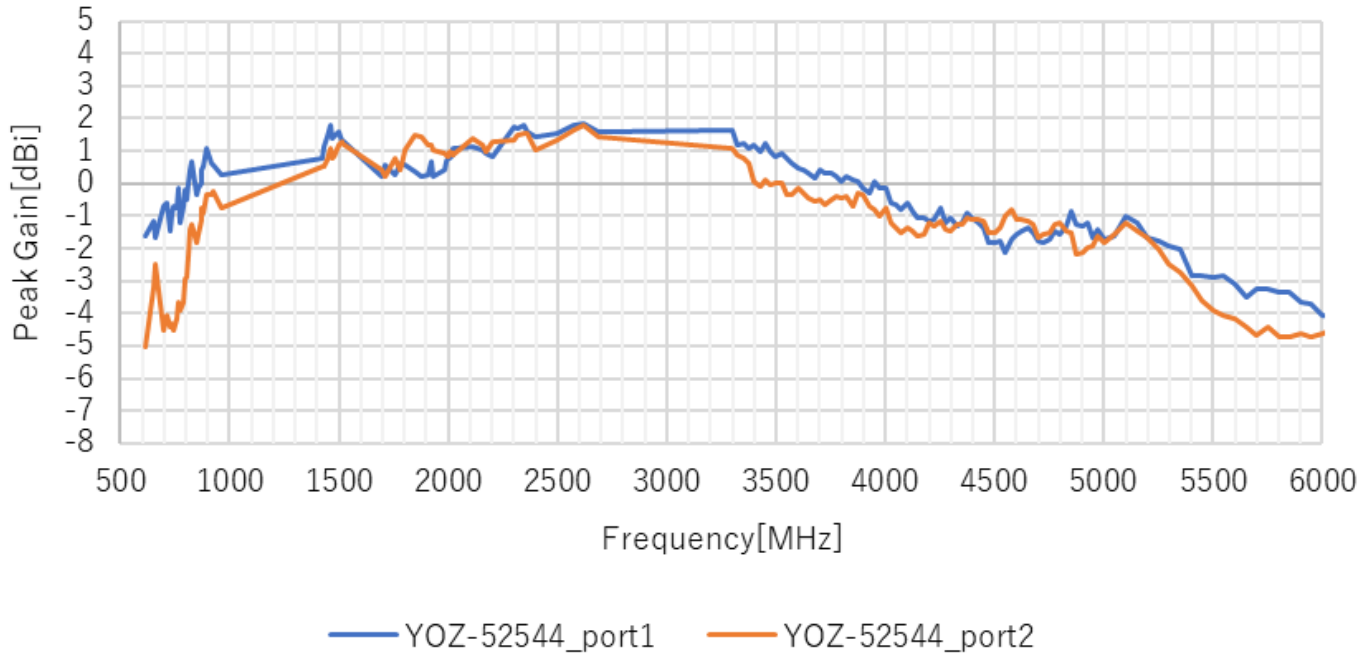
Environmental	
Temperature	-40°C~+105°C
Humidity	40°C/93%RH

2. Antenna Characteristics



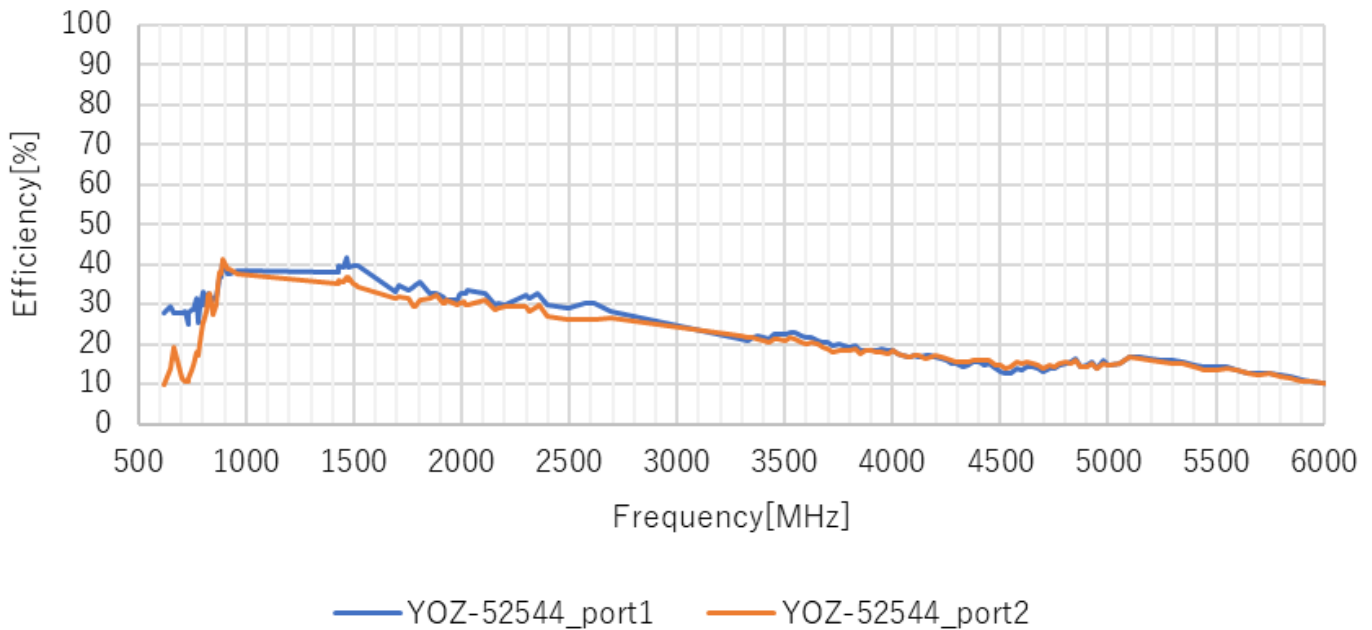
2. Antenna Characteristics

Peak Gain



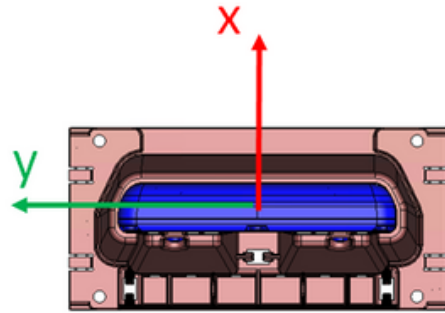
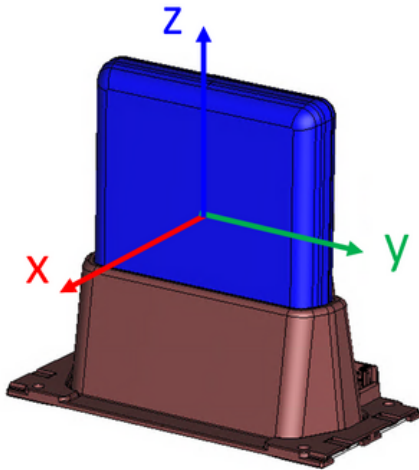
※with 4000mm 1.5D Cable

Efficiency

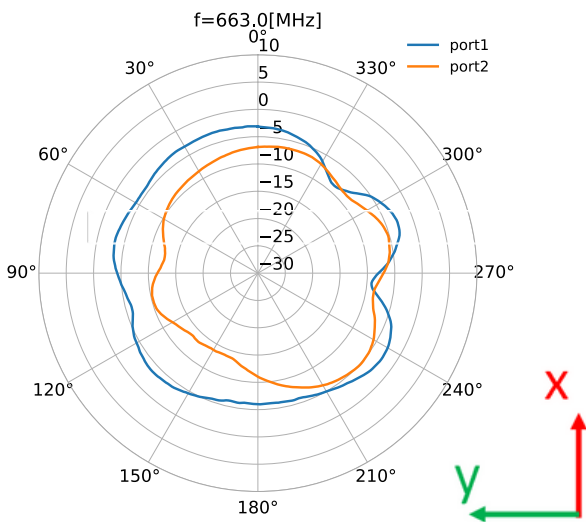


※with 4000mm 1.5D Cable

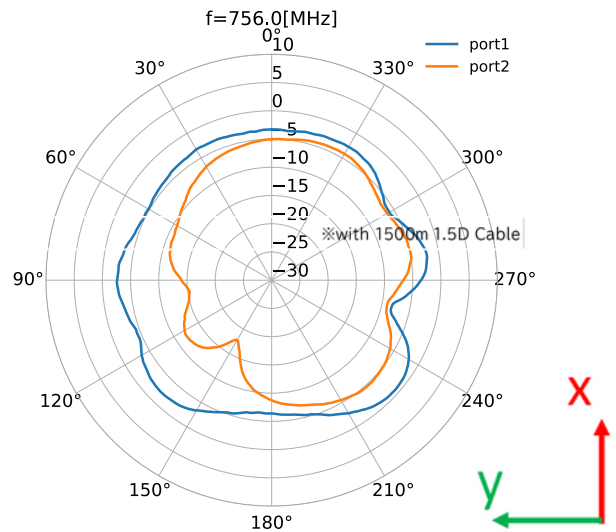
3. Radiation Patterns



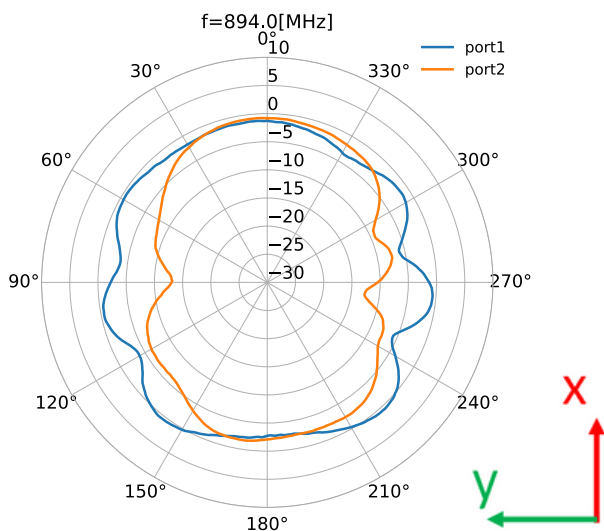
Radiation Pattern 663.0MHz



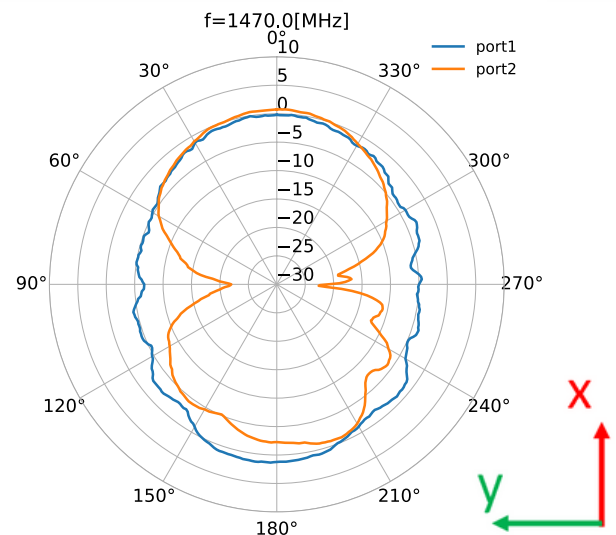
Radiation Pattern 756.0MHz



Radiation Pattern 894.0MHz

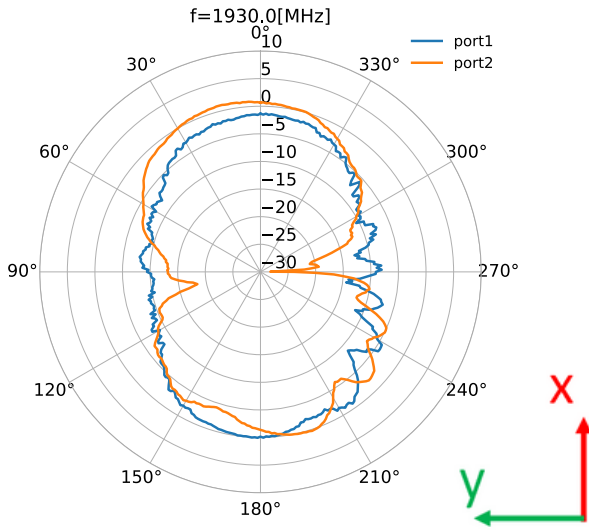


Radiation Pattern 1470.0MHz

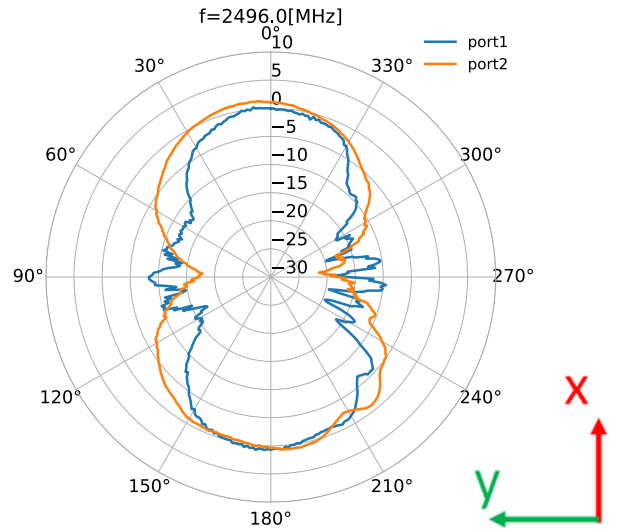


3. Radiation Patterns

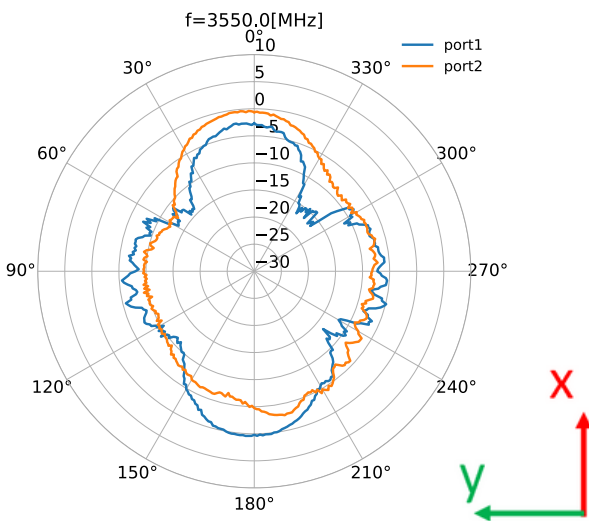
Radiation Pattern 1930.0MHz



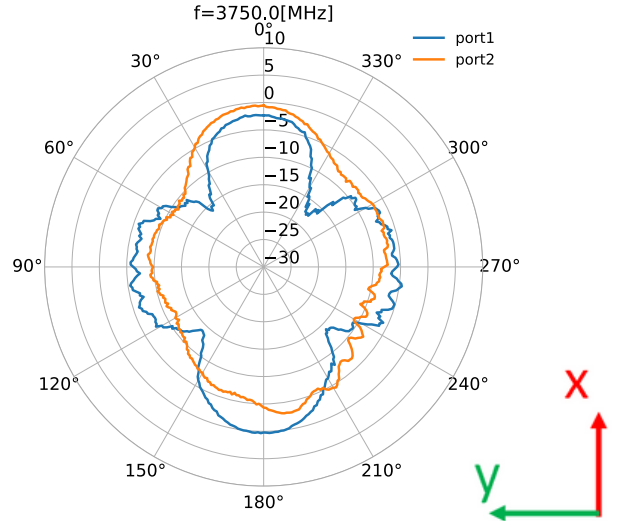
Radiation Pattern 2496.0MHz



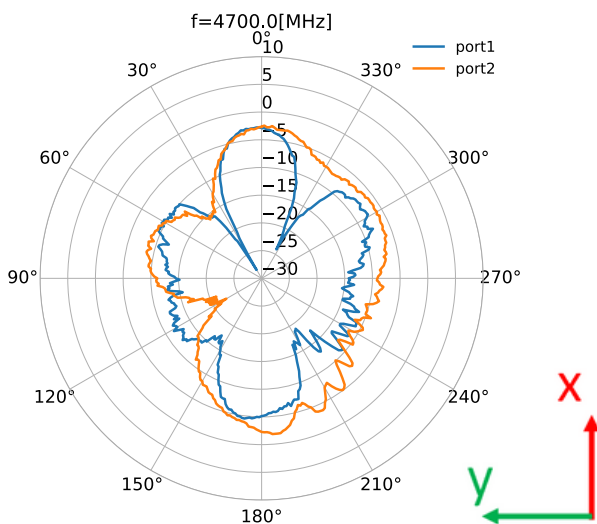
Radiation Pattern 3550.0MHz



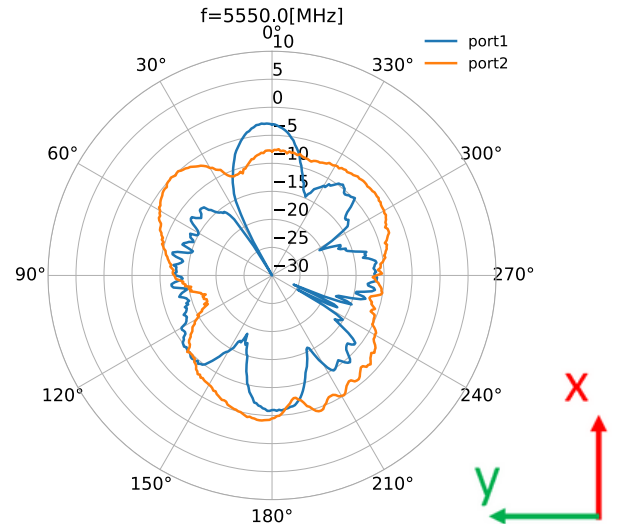
Radiation Pattern 3750.0MHz



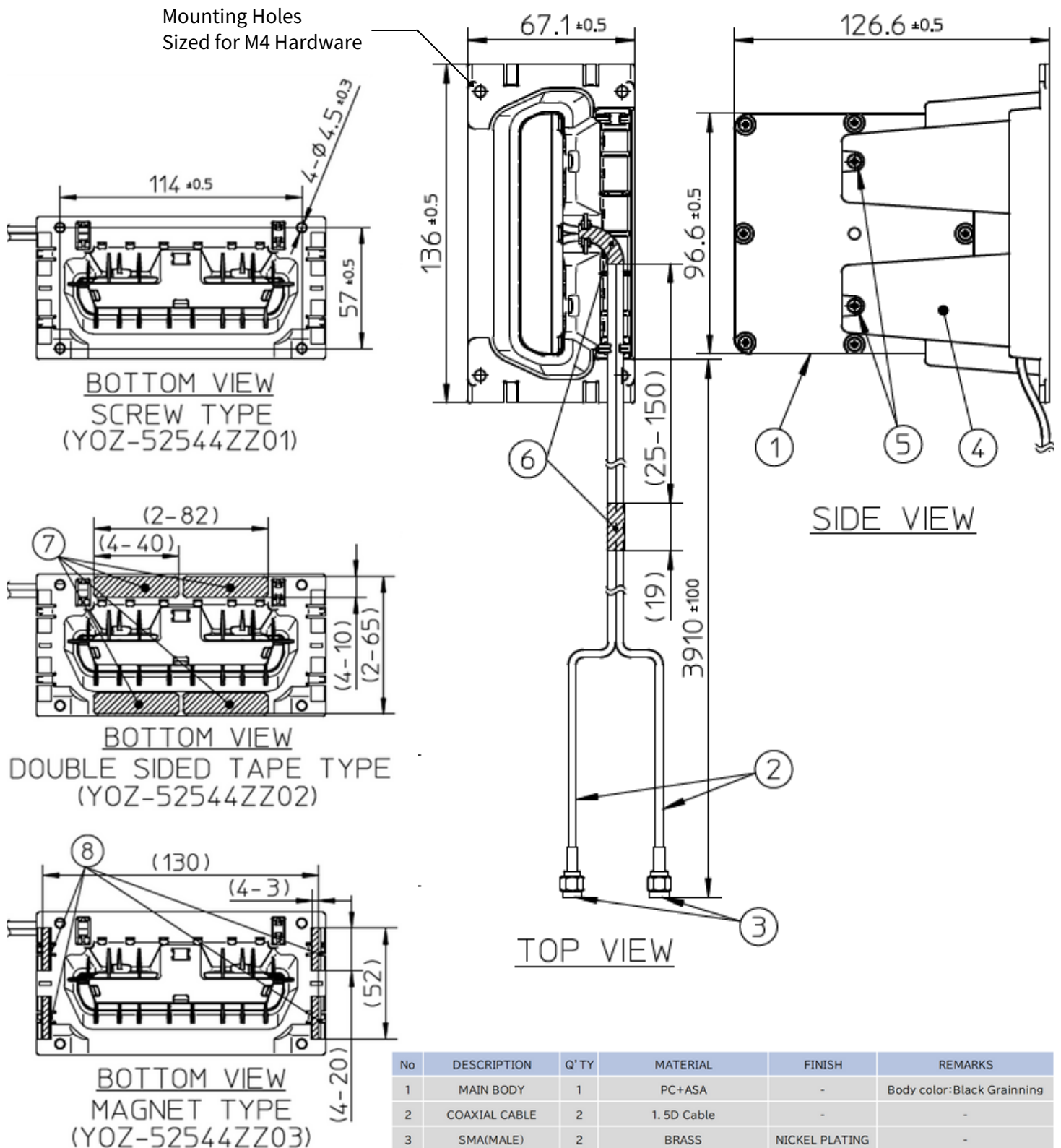
Radiation Pattern 4700.0MHz



Radiation Pattern 5550.0MHz



4. Mechanical Drawing

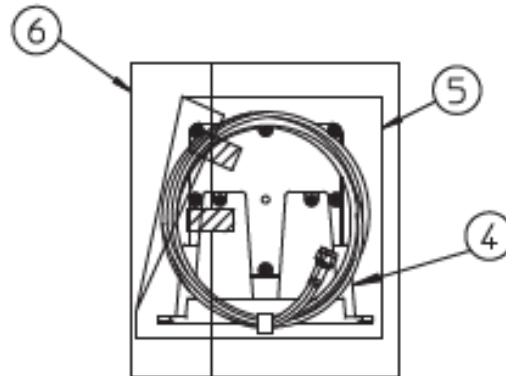


No	DESCRIPTION	Q'TY	MATERIAL	FINISH	REMARKS
1	MAIN BODY	1	PC+ASA	-	Body color:Black Grainning
2	COAXIAL CABLE	2	1.5D Cable	-	-
3	SMA(MALE)	2	BRASS	NICKEL PLATING	-
4	LABEL	1	WATER-RESISTANT PAPER	-	-
5	PVC TAPE	10	PVC	-	Color:Black
6	DOUBLE SIDED TAPE	1	Acrylic Adhesive	-	DOUBLE SIDED TAPE TYPE ONLY
8	MAGNET	4	Nd-Fe-B	NI	MAGNET TYPE ONLY

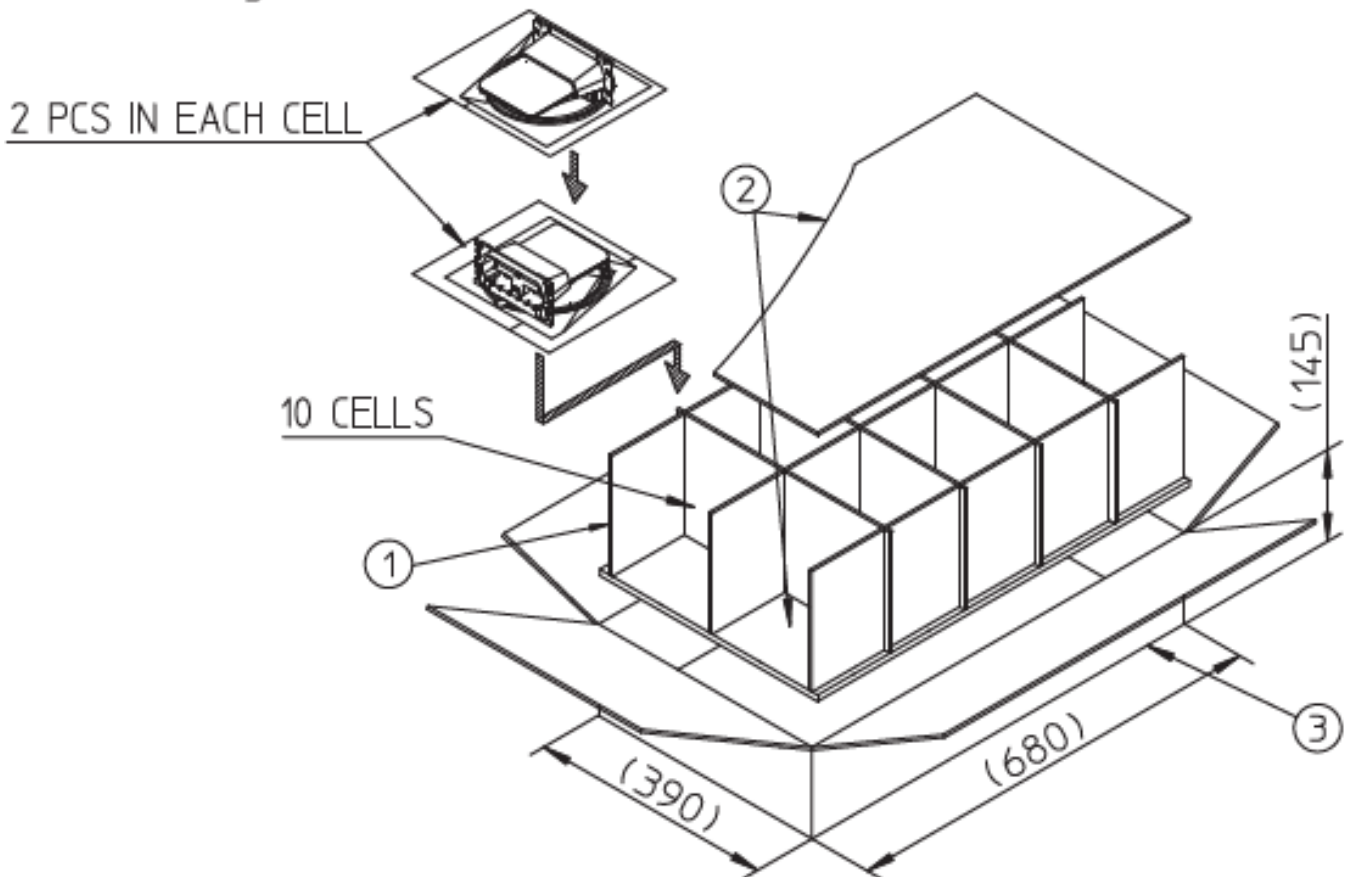
5. Packaging

CABLE PORTION, ANTENNA

1PC PER PE BAG
 WEIGHT : 0.31kg



20PCS PER CARTON
 CARTON DIMENSIONS : 390*680*145mm
 WEIGHT : 6.8kg



No	DESCRIPTION	Q'TY	MATERIAL	FINISH	REMARKS
1	PARTITION	1	C6-A BROWN	-	-
2	CARDBOARD	2	C6-A BROWN	-	-
3	CARDBOARD BOX	1	C6-W BROWN	-	-
4	ANTENNA ASSY (TEL 4G/5G)	20	-	-	-
5	POLYETHYLENE BAG	20	PE (BLUE)	-	-
6	POLYETHYLENE BAG	20	PE (BLUE)	-	-