

WR-6 Waveguide Probe Antenna Operating from 110 GHz to 170 GHz with a Nominal 6.5 dBi Gain with UG-387/U-Mod Round Cover Flange

Waveguide Antennas Technical Data Sheet

PEWAN1124

Features

- Rectangular Waveguide Interface
- Precisely Machined and Gold Plated
- Linear Polarization
- High Return Loss

Applications

- Antenna Ranges
- Antenna Gain Measurements
- System Setups

Description

Pasternack's PEWAN1124 is a D-Band probe antenna that operates from 110 GHz to 170 GHz. The antenna offers 6.5 dBi nominal gain and 115 degrees typical half power beam width on the E-Plane and 55 degrees typical half power beam width on the H-Plane. The antenna supports linear polarized waveforms. The input of this antenna is a WR-6 waveguide with a UG-387/U-M flange.

Configuration

Design	WR-6 Probe
Polarization	Linear

Electrical Specifications

Description	Minimum	Typical	Maximum	Units
Frequency Range	110		170	GHz
Nominal Gain		6.5		dBi
Horizontal Half Power Beam Width		60		Degrees
Vertical Half Power Beam Width		115		Degrees
VSWR		2:1		

Mechanical Specifications

Size

Length	1 in [25.4 mm]
Width	0.75 in [19.05 mm]
Height	0.75 in [19.05 mm]
Weight	0.025 lbs [11.34 g]

Waveguide Interface

Waveguide Size	WR-6
Flange Type	Round Cover
Flange Designation	UG-387/U-Mod
Body Material and Plating	Brass, Gold

Click the following link (or enter part number in "SEARCH" on website) to obtain additional part information including price, inventory and certifications: [WR-6 Waveguide Probe Antenna Operating from 110 GHz to 170 GHz with a Nominal 6.5 dBi Gain with UG-387/U-Mod Round Cover Flange PEWAN1124](#)



WR-6 Waveguide Probe Antenna Operating from 110 GHz to 170 GHz with a Nominal 6.5 dBi Gain with UG-387/U-Mod Round Cover Flange

Waveguide Antennas Technical Data Sheet

PEWAN1124

Environmental Specifications

Temperature

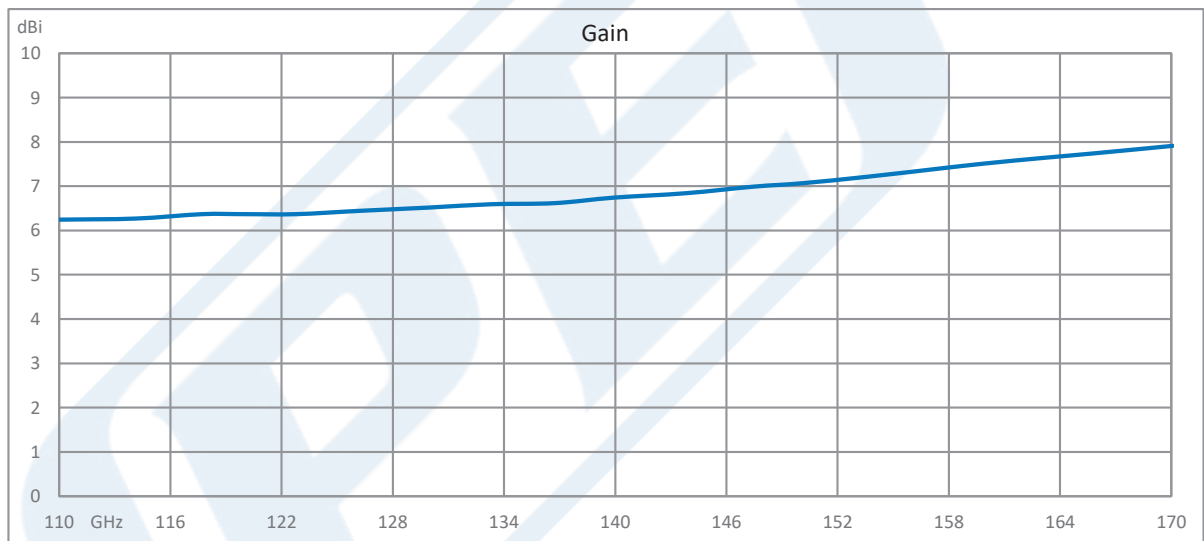
Operating Range

-40 to 85 deg C

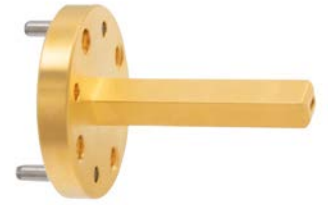
Compliance Certifications (see [product page](#) for current document)

Plotted and Other Data

Typical Performance Data



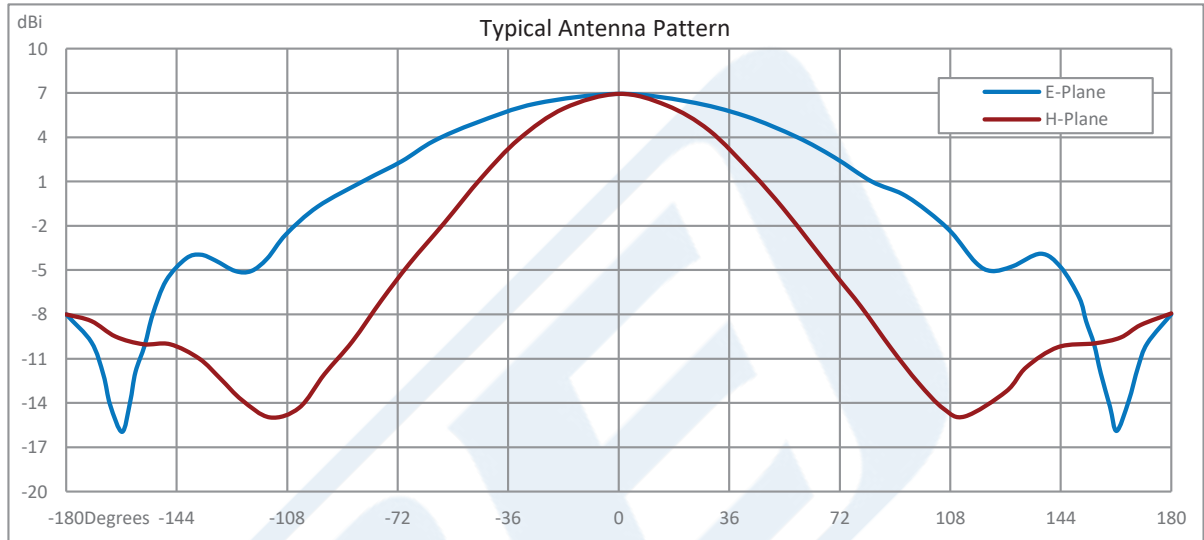
Click the following link (or enter part number in "SEARCH" on website) to obtain additional part information including price, inventory and certifications: [WR-6 Waveguide Probe Antenna Operating from 110 GHz to 170 GHz with a Nominal 6.5 dBi Gain with UG-387/U-Mod Round Cover Flange PEWAN1124](#)



WR-6 Waveguide Probe Antenna Operating from 110 GHz to 170 GHz with a Nominal 6.5 dBi Gain with UG-387/U-Mod Round Cover Flange

Waveguide Antennas Technical Data Sheet

PEWAN1124



WR-6 Waveguide Probe Antenna Operating from 110 GHz to 170 GHz with a Nominal 6.5 dBi Gain with UG-387/U-Mod Round Cover Flange from Pasternack Enterprises has same day shipment for domestic and International orders. Our RF, microwave and millimeter wave products maintain a 99.4% availability and are part of the broadest selection in the industry.

Click the following link (or enter part number in "SEARCH" on website) to obtain additional part information including price, inventory and certifications: [WR-6 Waveguide Probe Antenna Operating from 110 GHz to 170 GHz with a Nominal 6.5 dBi Gain with UG-387/U-Mod Round Cover Flange PEWAN1124](https://www.pasternack.com/wr-6-waveguide-gain-horn-antenna-6.5dbi-ug-387-mod-round-flange-pewan1124-p.aspx)

URL: <https://www.pasternack.com/wr-6-waveguide-gain-horn-antenna-6.5dbi-ug-387-mod-round-flange-pewan1124-p.aspx>

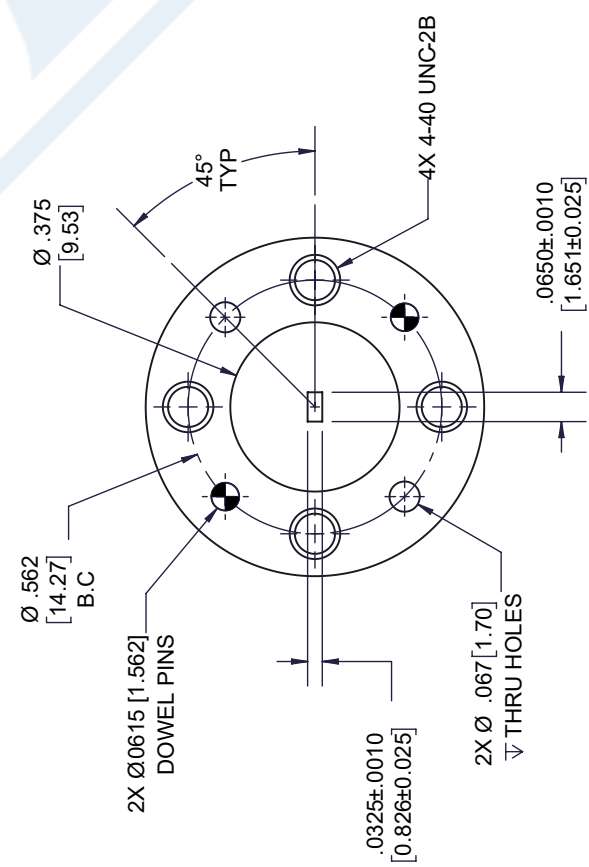
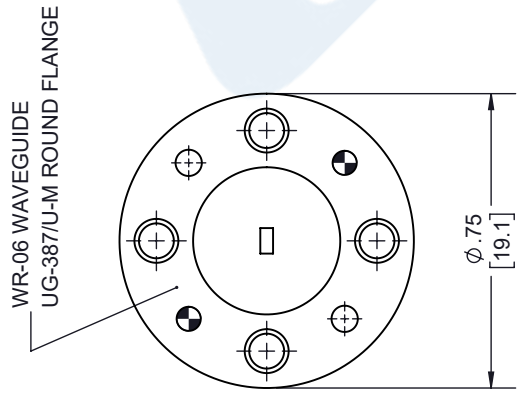
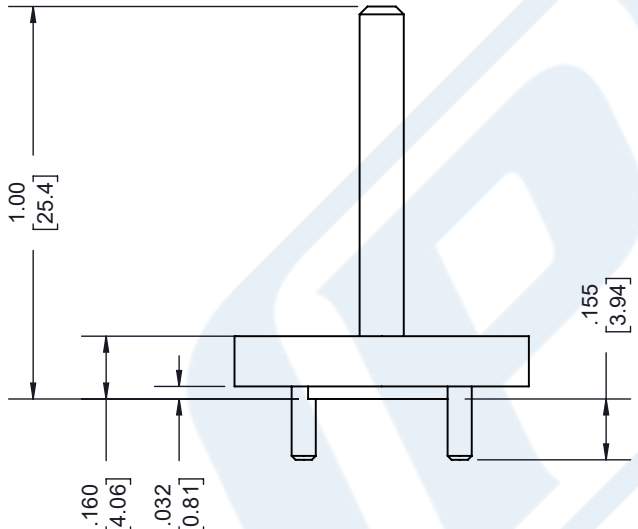
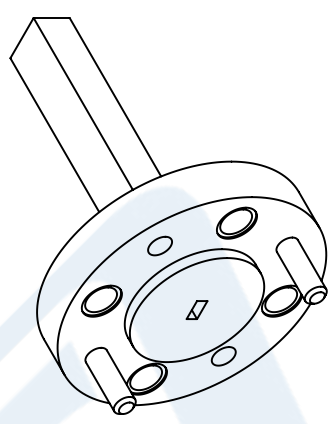
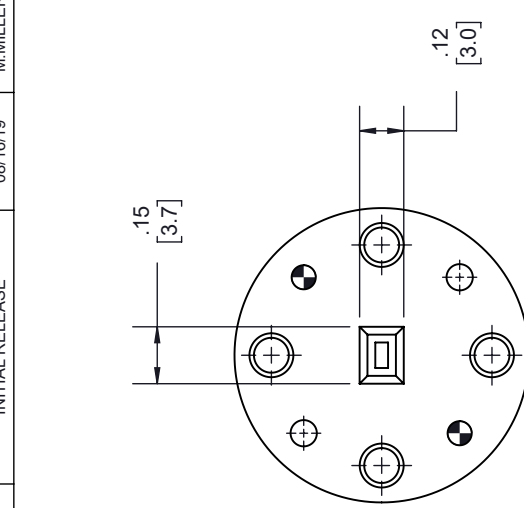
The information contained in this document is accurate to the best of our knowledge and representative of the part described herein. It may be necessary to make modifications to the part and/or the documentation of the part, in order to implement improvements. Pasternack reserves the right to make such changes as required. Unless otherwise stated, all specifications are nominal. Pasternack does not make any representation or warranty regarding the suitability of the part described herein for any particular purpose, and Pasternack does not assume any liability arising out of the use of any part or documentation.

PEWAN1124 CAD Drawing

WR-6 Waveguide Probe Antenna Operating from 110 GHz to 170 GHz with a Nominal 6.5 dBi Gain with UG-387/U-Mod Round Cover Flange

REV.	DESCRIPTION	DATE	APPROVED
A	INITIAL RELEASE	08/16/19	M.MILLER

REVISIONS	DESCRIPTION	DATE	APPROVED
A	INITIAL RELEASE	08/16/19	M.MILLER



UNLESS OTHERWISE SPECIFIED LEADING DIMENSIONS ARE INCHES DIMENSIONS IN [] ARE MILLIMETERS

TOLERANCES:
 X±.2 [5.08] FRACTIONS
 .XX±.01 [.25] ±1/32
 .XXX±.005 [.13] ANGLES ± 1°

ALL DIMENSIONS SHOWN ARE FOR REFERENCE ONLY.
 THIRD-ANGLE PROJECTION

PE PASTERNAK
 an INFINITO brand

Pasternack Enterprises, Inc.
 P.O. Box 16759, Irvine, CA 92623.
 Phone: 1.949.261.1920 | 1.866.727.8376
 Fax: 1.949.261.7451
 www.pasternack.com | e-mail: sales@pasternack.com

THE INFORMATION AND DESIGN IN THIS DOCUMENT IS THE PROPERTY OF PASTERNAK CORPORATION. ALL RIGHTS RESERVED.

SHEET 1 OF 1
 SCALE N/A

SIZE A
 CAGE NUMBER 53919
 DRAWN BY K.DANG
 PART NUMBER PEWAN1124
 REV A

PASTERNAK
 PEWAN1124
 D/C: YYWW

FLANGE DETAIL

THESE COMMODITIES, TECHNOLOGY OR SOFTWARE WERE EXPORTED FROM THE UNITED STATES IN ACCORDANCE WITH THE EXPORT ADMINISTRATION REGULATIONS. DIVERSION CONTRARY TO U.S. LAW PROHIBITED.