



136-174 MHz Telescopic Antenna, 2.5 dBi gain,
TNC Male Connector, Vertical Polarization

Antennas Technical Data Sheet

PEANRBD1031

Features

- 136 MHz to 174 MHz, 2.5 dBi Gain
- TNC-Male connector
- Telescopic radiator
- Plug and play
- 50W power handling
- VSWR < 1.5:1
- Vertical polarization
- Black

Applications

- PtP or PtMP applications
- Trunking for two-way radio comms
- VHF applications
- Public Safety / Emergency services
- Marine / Rail road communications
- P-25 applications exclusively supported
- Land mobile radio (LMR)
- Fixed and mobile services

Description

Vertical polarized antenna PEANRBD1031 from Pasternack is part of our extensive in-stock omni directional antennas that ship the same day from our ISO 9001:2015 certified facility. The antenna with 136 to 174 MHz frequency range has a maximum input VSWR of 1.5:1. This omni directional antenna has TNC male connector.

This antenna has a silver colored radome, an overall length of 17.2 in, width of 0.50 in, and weighs 0.22 lbs. Pasternack's PEANRBD1031 is a single band antenna operating from 136 to 174 MHz with 2.5 dBi gain.

Pasternack's experts are on hand to assist you with any inquiries. Order this PEANRBD1031 antenna 7 days a week, 24 hours a day using our on-line ordering system with no MOQs (minimum order quantity) and same-day shipping.

Configuration

Design	Rubber Duck
Band Type	Single
Radiation Pattern	Omni Directional
Polarization	Vertical
Connector Type	TNC Male

Electrical Specifications

Description	Minimum	Typical	Maximum	Units
Frequency Range	136		174	MHz
Input VSWR			1.5:1	
Impedance		50		Ohms
Gain		2.5		dBi
Input Power			50	Watts

Click the following link (or enter part number in "SEARCH" on website) to obtain additional part information including price, inventory and certifications: [136-174 MHz Telescopic Antenna, 2.5 dBi gain, TNC Male Connector, Vertical Polarization PEANRBD1031](#)



136-174 MHz Telescopic Antenna, 2.5 dBi gain,
TNC Male Connector, Vertical Polarization

Antennas Technical Data Sheet

PEANRBD1031

Mechanical Specifications

Radome Material	Silver
Size	
Overall Length	6.69 in [169.93 mm]
Width	0.5 in [12.7 mm]
Height	0.5 in [12.7 mm]
Weight	0.33 lbs [149.69 g]

Environmental Specifications

Temperature	
Operating Range	-40 to +80 deg C

Compliance Certifications (see [product page](#) for current document)

Plotted and Other Data

Notes:

136-174 MHz Telescopic Antenna, 2.5 dBi gain, TNC Male Connector, Vertical Polarization from Pasternack Enterprises has same day shipment for domestic and International orders. Our RF, microwave and millimeter wave products maintain a 99.4% availability and are part of the broadest selection in the industry.

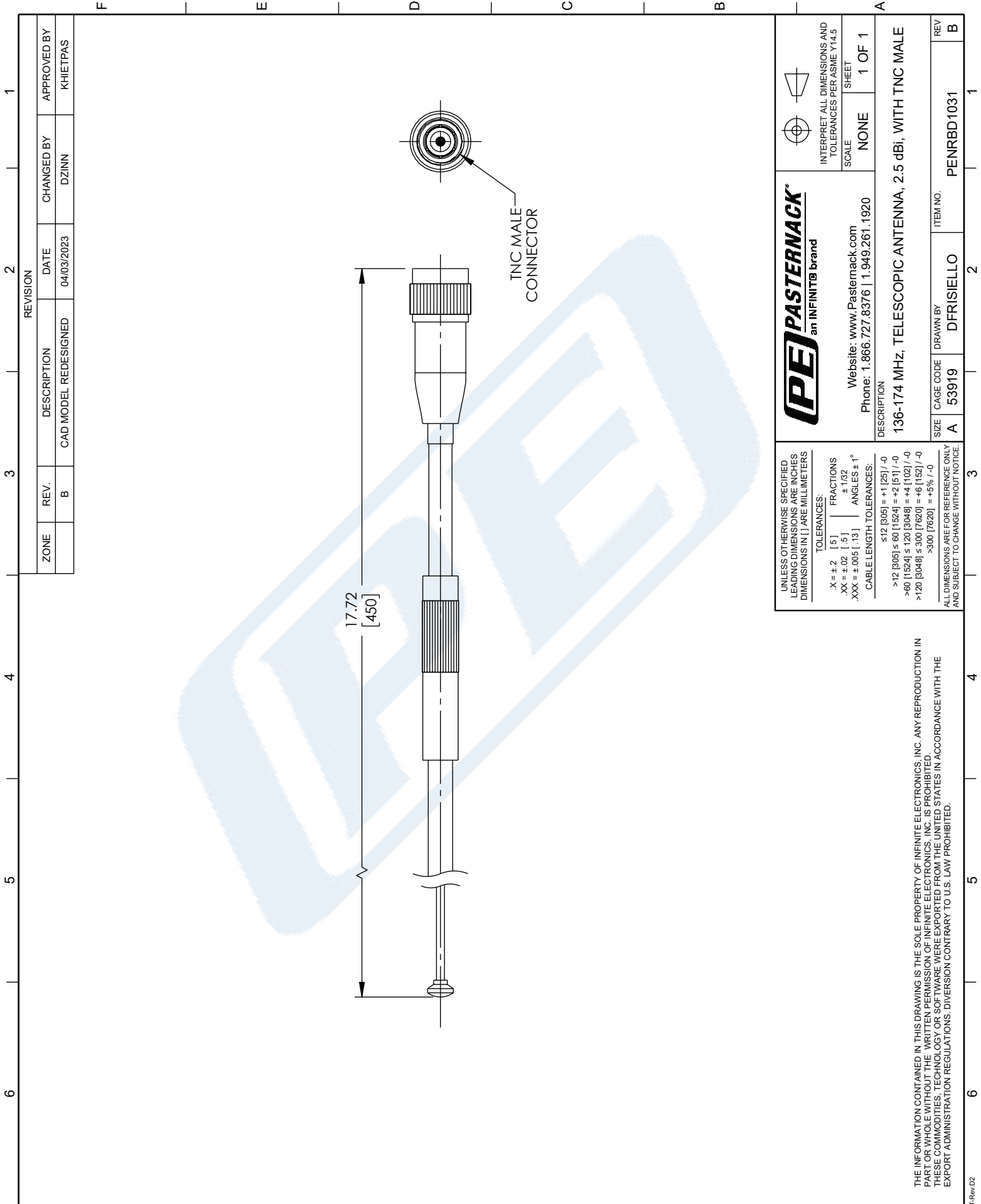
Click the following link (or enter part number in "SEARCH" on website) to obtain additional part information including price, inventory and certifications: [136-174 MHz Telescopic Antenna, 2.5 dBi gain, TNC Male Connector, Vertical Polarization PEANRBD1031](#)

URL: <https://www.pasternack.com/2.5-dbi-rubber-duck-antenna-136-174-mhz-tnc-male-connector-peanrbd1031-p.aspx>

The information contained in this document is accurate to the best of our knowledge and representative of the part described herein. It may be necessary to make modifications to the part and/or the documentation of the part, in order to implement improvements. Pasternack reserves the right to make such changes as required. Unless otherwise stated, all specifications are nominal. Pasternack does not make any representation or warranty regarding the suitability of the part described herein for any particular purpose, and Pasternack does not assume any liability arising out of the use of any part or documentation.

PEANRBD1031 CAD Drawing

136-174 MHz Telescopic Antenna, 2.5 dBi gain, TNC Male Connector, Vertical Polarization



ZONE		REV.	DESCRIPTION	DATE	CHANGED BY	APPROVED BY
		B	CAD MODEL REDESIGNED	04/03/2023	DZINN	KHIETPAS

		INTERPRET ALL DIMENSIONS AND TOLERANCES PER ASME Y14.5 SCALE: NONE SHEET: 1 OF 1	
Website: www.Pasternack.com Phone: 1.866.727.8376 1.949.261.1920		DESCRIPTION: 136-174 MHz, TELESCOPIC ANTENNA, 2.5 dBi, WITH TNC MALE	
SIZE	CAGE CODE	DRAWN BY	ITEM NO.
A	53919	DFRISIELLO	PENRBD1031

UNLESS OTHERWISE SPECIFIED LEADING DIMENSIONS ARE INCHES DIMENSIONS IN [] ARE MILLIMETERS

TOLERANCES:
 .X = ±.2 [5] FRACTIONS ±.1032
 .XX = ±.02 [.5] ANGLES ± 1°
 .XXX = ±.005 [.13] CABLE LENGTH TOLERANCES:
 ≤12 [305] = +1 [25] / -0
 >12 [305] ≤ 60 [1524] = +2 [51] / -0
 >60 [1524] ≤ 120 [3048] = +4 [102] / -0
 >120 [3048] ≤ 300 [7620] = +6 [152] / -0
 >300 [7620] = +5% / -0

ALL DIMENSIONS ARE FOR REFERENCE ONLY AND SUBJECT TO CHANGE WITHOUT NOTICE.

THE INFORMATION CONTAINED IN THIS DRAWING IS THE SOLE PROPERTY OF INFINITE ELECTRONICS, INC. ANY REPRODUCTION IN PART OR WHOLE WITHOUT THE WRITTEN PERMISSION OF INFINITE ELECTRONICS, INC. IS PROHIBITED. THESE COMMODITIES, TECHNOLOGY OR SOFTWARE WERE EXPORTED FROM THE UNITED STATES IN ACCORDANCE WITH THE EXPORT ADMINISTRATION REGULATIONS. DIVERSION CONTRARY TO U.S. LAW PROHIBITED.